



Instruction Manual

TM12-1105-LG1

08/25/2017

**48E Series**  
Corded Electric Assembly Tool



For additional product information visit our website at <http://www.ClecoTools.com>



EN	Safety and operating instructions.....	4
	Dimensions .....	121
DE	Sicherheit und Bedienungsanleitung .....	17
	Abmessungen .....	121
FR	Consignes d'utilisation et de sécurité.....	30
	Dimensions .....	121
ES	Instrucciones de operación y Seguridad.....	43
	Dimensiones .....	121
PT	Instruções de operação e de segurança.....	56
	dimensões.....	121
IT	Istruzioni per l'uso .....	69
	Dimensioni .....	121
ZH	安全和操作说明.....	82
	外形尺寸.....	121
JA	安全および操作説明書 .....	95
	大きさ.....	121
KO	안전 및 운영 지침 .....	108
	치수.....	121

## For this Instruction Manual

The original language of this instruction manual is English. This Instruction Manual is intended for all persons who will operate and maintain this equipment.

This instruction manual has the following purposes:

- It provides important instructions for safe and effective operation.
- It describes the function and operation of this equipment.
- It serves as a reference guide for technical data, service intervals, and spare parts ordering.
- It provides information regarding optional equipment.

### Symbols in the text:

- Identifies instructions to be followed.
- Identifies a list.
- <..> Indicates a reference number from the exploded parts drawings.
- Bold** Indicates an important feature or instruction.
- OK Okay (acceptable)
- NOK Not okay (not acceptable)

### Identification graphic:

- ➔ Indicates a directional movement.
- ⇓ Indicates a function or force.

### Copyright protection:

Apex Tool Group, LLC reserves the right to modify, supplement or improve this document or the product without prior notice. This document may not be reproduced in any way, shape or form, in full or parts thereof, or copied to another natural or machine readable language or to a data carrier, whether electronic, mechanical, optical or otherwise without the express permission of Apex Tool Group, LLC.

## 1 Safety:

### Warnings and notes

Warning notes are identified by a signal word and a pictogram.

- The signal word indicates the severity and probability of the impending danger.
- The pictogram indicates the type of danger.

#### WARNING!



Indicates a potentially **hazardous** situation for personal health and safety. If this warning is not observed, death or serious injury may occur.

#### CAUTION!



Indicates a potentially **hazardous** situation which, if not avoided, may result in minor or moderate injury or property and environmental damage.



**GENERAL NOTE** identifies useful information that may include application tips but no hazardous situations.

### Symbols on product

Be sure you understand their meaning before using this equipment.



**Electricity:** Indicates a potentially **hazardous** situation for personal health and safety. Failure to comply with safety and operational instructions could result in electrical shocks, burns, or serious injury.



Read all instructions.



Observe and comply with all local disposal guidelines for all components of this equipment and its packaging.



CE compliant



EurAsian conformity

## General Safety Instructions Tightening System

**WARNING!** Risk of electric shock. Contact with mains voltage and 320 VDC.



In case of failure nutrunner control and tool can lead to accidental electric shock. Electrical shock can lead to cardiovascular arrest, respiratory arrest, burns and serious injury or death.

→ Take the fastening system into service only after you have read and completely understood the following safety instructions.

Failure to follow these instructions can result in addition to the above mentioned injuries damage of the nutrunner controller and the loss of existing warranty claims.

### 1 Notes for system operator

These safety instructions are not intended to be all inclusive. It is mandatory that national, state and local safety and wiring standards be followed during installation. These standards take precedence over any information presented in this section.

These safety instructions must be accessible to the operator at all times. They must be shown and made available to personnel involved in the use or repair of the equipment.

### 2 Operator training

Only qualified and trained personnel should put into operation, adjust or test this nutrunner control. The personnel must be instructed by qualified staff<sup>1)</sup> from APEX.

The nutrunner control was preset by APEX. A setting for your specific screw joint needs, must only be made with the nutrunner control by a qualified person<sup>1)</sup>. For more information, refer to the programming manual.

### 3 Designated use

The APEX tightening system is intended only for industrial use in fastening processes.

→ Use the tightening system only under the following conditions:

- using indoors only
- only in Industrial EMC limit value class A

### 4 Personal protective equipment

Risk of injury by being wound up in and caught by machinery:

- When working with rotating parts, it is prohibited to wear gloves.
- Wear close fitting clothing.
- If necessary, wear a hairnet.

Risk of injury due to ejected components:

- Wear protective goggles.

### 5 Workplace

- Always keep your workplace clean and tidy.
- Ensure that there is enough space in the work area.

→ Stay alert, watch what you are doing, and use common sense when operating a nutrunner. Do not use tool while tired or under the influence of drugs, alcohol, or medication. A moment of inattention while operating a nutrunner may result in serious personal injury.

### 6 Operating

- Should the earth fault protector disconnect the system, correct the cause of the high fault current before continuing operation.
- Never pull the plug from an outlet..
- Keep cable away from heat, oil, sharp edges or moving parts..
- Replace damaged cables immediately.

### 7 Cleaning

- Clean electric tool and nutrunner control only from the outside with a damp cloth.
- Do not use a pressure washer.

### 8 Disposal

Components and auxiliary materials of the tightening system pose risks to health and environment.

- Separate the components of the packing and segregate the different materials before disposing of them.
- Return the tool and defective nutrunner control to your company collection facility or to a Sales & Service Center.
- Follow the locally applicable regulations.



Observe generally valid disposal guidelines such as, in Germany, the Electrical and Electronic Equipment Act (ElektroG) and the Battery Act (Battg):

- Wasted rechargeable batteries must be disposed of. Return defective batteries to your company collection facility or to a Sales & Service Center.

1. Qualified personnel are those who can recognize possible hazards and institute the appropriate safety measures due to their professional training, knowledge, and experience as well as their understanding of the relevant conditions pertaining to the work to be done. Qualified personnel must observe the rules

### General Safety Instructions Controller

- Do not modify the nutrunner control, any guard or accessory unless approved in writing by Apex Tool Group LLC.
- Do not try to open the nutrunner control or the components of the control. Neither for troubleshooting, nor to perform other work on the unit. Any interference can cause an error resulting in serious injury from electrical shock.

Operating with an open controller can cause;

- increased emissions: other equipment may be affected.
  - reduced immunity: the nutrunner control may cause erroneous results.
  - Opening the nutrunner control will void existing warranties.
- Send the complete nutrunner control for repair to your Sales & Service Center.

#### 1 Designated use

This product is part of the APEX tightening system and is intended only for industrial use in fastening processes.

- Use the nutrunner control only under the following conditions:
  - In conjunction with the APEX tools.
    - Corded tools
    - Cordless LiveWire EC tools
    - Built-in nutrunner
  - With the approved APEX accessories and cables.
  - With the allowable supply voltage.
  - Exclusively at the rate for the nutrunner.
  - Using the approved maximum cable length.
  - Using indoors only.
  - Only in industrial EMC limit value class A
- Do not use the nutrunner control
  - in hazardous areas.
  - in damp rooms / outdoors.

#### 2 Ambient conditions

- Keep the nutrunner control away from heat, fire, risk of explosion and moisture.

Function	Temperature	Relative Humidity	Working Height
Transport / Storage	-13°F to +158°F (-25°C to +70°C)	0...90% non-condensing	up to 9800 ft. (3000 m) above sea level
Operating	+32°F to +113°F (0°C to +45°C)		

#### 3 Required power supply connection

- Operate only on grounded network (TN network). Operation in connection with an IT Network is inadmissible.

Nutrunner Control	Input Voltage, Single Phase	Frequency	Input Current 16 A max.
mPro400GC-P	115 VAC (104-126 VAC) 230 VAC (207-254 VAC)	50-60 Hz	2 A 1 A
mPro400GC-P230	230 VAC (207-254 VAC)		1 A
mPro400GC-S	115 VAC (104-126 VAC) 230 VAC (207-254 VAC)		2 A 1 A
mPro400GC-S230	230 VAC (207-254 VAC)		1 A
mPro400GC-M	115 VAC - 230 VAC (104-254 VAC)		1 A - 0.5 A
mPro400GC-E	115 VAC (104-126 VAC) 230 VAC (207-254 VAC)		2 A 1 A
mPro400GC-I	115 VAC (104-126 VAC) 230 VAC (207-254 VAC)		2 A
			1 A

#### 4 Install

Danger of crushing. The nutrunner control may fall down and crush your feet.

- Use suitable lifting equipment.
- Wear safety shoes.
- Ensure sufficient mounting of the nutrunner control: 4xM6, secured against loosening (see Hardware Description P2174HW).
- Lay all connected cables and line safely, so that they are not damaged and no one can trip over them.
- Do not exceed a total cable length of 65.6 ft. (20 m). If longer an APEX isolating transformer, order number 544185PT, is necessary.

In case of failure, high voltage leakage may occur and cause injuries as mentioned previously.

- Use enclosed power cable. When changing use a standard-compliant network management.
- At 115 VAC: Use cables with a larger cross section.
- Establish equipotential bonding between machine/workpiece and tool.
- Before energizing the nutrunner control ensure that all connections have been properly made (see Hardware Description P2174W).

#### 5 Before initial operation

- Before initial operation perform PE measure according to locally applicable regulations (DGUV Vorschrift 3 in Germany).
- Observe the safety notes on the nutrunner control and the tool.
- Check the nutrunner control, tool, and cable for any obvious defects.
- During changeover, cleaning and taking out of service shut off and disconnect the nutrunner control before connecting the power and tool cable.

#### 6 Operating

- Immediately shut off the nutrunner control in the case of unusual sound, vibration or odor. Disconnect the power supply and have qualified personnel check the tightening system and repair as necessary.
- Replace damaged cables immediately.

## 7 Maintenance

- Set up a security maintenance program and ensure that it is maintained. This program must ensure compliance with regulations, inspection, and maintenance for all life stages of the nutrunner control.
- Test the earth fault protector in the time interval according to locally applicable regulations (DGUV Vorshrift 3 in Germany).

### mPro400GC-P, mPro400GC-S

- Press the test button located on the bottom panel of the nutrunner control.

### mPro400GC-P230, mPro400GC-S230

- Check earth leakage circuit via socket *GFCI Test* (see maintenance manual P2249WA) or
- Press the test button located on the bottom panel of the nutrunner control.

## General Safety Instructions Electric Tools

### WARNING! Read all safety notes and instructions.




Any failure to follow the safety notes and instructions can cause electric shock, fire and/or serious injury.

### Keep all safety notes and instructions for future reference.

The term "electric tool" used in these safety instructions refers to an electrically mains-powered tool (with mains cable) and also to battery-operated electrical tools (without a power cable).

## 1 Safety at Work

- a) **Keep your working area clean and well lit.** Untidiness and/or unlit working areas can cause accidents.
- b)  **Never work with your electric tool in an explosive environment, i.e. one containing combustible fluids, gases or dust.** Electric tools create sparks that can ignite that dust and/or that vapour.
- c) **Keep children and other people at a distance when using the electric tool.** If distracted, you may lose control of the device.

## 2 Electrical safety

- a) **The power connector on your electrically powered tool must fit the socket or receptacle. Do not modify the connector in any way. Never use an adapter connector together with grounded electric tools.** Unmodified connectors and appropriate receptacles/sockets reduce the risk of electric shock.
- b) **Avoid physical contact with grounded surfaces such as pipework, radiators, cookers and refrigerators.** There is a higher risk of electric shock if your own body is grounded.
- c) **Keep electric tools away from rain and damp.** The ingress of water in an electric tool increases the risk of electric shock.

- d) **Do not use the cable incorrectly, i.e. to carry the electric tool, hang it up or to pull the connector out of its socket/receptacle. Keep the cable away from heat, oil, sharp edges or moving parts.** Damaged or tangled cables increase the risk of electric shock.
- e) **If you are working in the open air with an electric tool, always use extension leads that are suitable for outside use.** The use of an extension cable suitable for outside use reduces the risk of electric shock.
- f) **If there is no way to avoid operating an electric tool in a damp or humid environment, use a Residual Current protective Device.** The use of a Residual Current protective Device reduces the risk of electric shock.

## 3 Safety of persons


- a) **Exercise caution, pay attention to what you are doing and act reasonably at all times when working with an electric tool. Never use an electric tool while under the influence of drugs, alcohol or medication.** One moment of inattentiveness in the use of an electric tool can cause serious injuries.

- b) **Wear your personal protective equipment (PPE) and always wear safety goggles.**



Wearing personal protective equipment such as a dust mask, non-slip safety shoes, a helmet or ear defenders can, depending on the type and use of the electric tool, help to reduce the risk of injury.

- c) **Avoid accidental start-ups. Ensure that the electric tool is switched off before connecting it to the mains power supply or to a battery, picking it up or carrying it.** Accidents can occur if you have your finger on the switch, and/or if the device is switched on and/or connected to the mains power supply.
- d) **Remove setting tools or wrenches before switching on an electric tool.** Injuries can occur if a tool or wrench is left in place in a rotating item of equipment.
- e) **Avoid abnormal or unusual physical postures. Make sure you have a firm stance and maintain your balance at all times.** That means you are better able to control your electric tool in unexpected situations.


- f)  **Wear appropriate clothing. Never wear loose clothing or jewellery. Keep hair, clothing and gloves well away from moving parts.** Loose clothing, jewellery or long hair can get snagged on moving parts.

- g) **If dust extractor and collection equipment can be mounted, ensure that these are connected up and are used correctly.** Use of a dust extractor can reduce the risks associated with dust.

## 4 Use and handling of an electric tool

- a) **Never overload the device. Use the right electric tool for your work.** Using the correct electric tool enables you to work better and more safely within the specified performance range.



- b) **Never use an electric tool with a defective switch.** An electric tool that can no longer be switched on and off is dangerous and must be repaired.
- c)  **Pull out the connector from the nutrunner control and/or the tool cable from the socket/receptacle and/or remove or disconnect the battery before altering tool settings, changing accessories or putting the tool back down again.** These precautionary measures prevent the electric tool from restarting accidentally.
- d) **When not in use, keep electric tools out of the reach of children. Do not allow anyone to use the device if they are not familiar with its operation, or have not read the instructions for use.** Electric tools are dangerous if used by inexperienced people.
- e) **Treat electric tools with care. Check to ensure that moving parts function perfectly and do not jam. Also check to ensure that no parts are broken, or damaged to such an extent that the function of the electric tool is impaired. Arrange for damaged parts to be repaired before using the device.** Poorly maintained electric tools have been the cause of many accidents.
- f) **Keep cutting tools sharp and clean.** Carefully maintained cutting tools with sharp edges jam less frequently and are easier to guide and operate.
- g) **Always use electric tools, accessories and impact tools in accordance with these instructions. Also pay attention to ambient workplace conditions and the nature of the work being carried out.** Dangerous situations can arise if electric tools are ever used for any application other than the one intended.

**5 Service**

- a) **Always arrange to have your electric tool repaired by suitably qualified<sup>1)</sup> technical specialists, and always use genuine spare parts.** That will ensure that you maintain the high safety standard of your electric tool.

**Specific safety instructions for Hand-Held Electric Nutrunner**

**1 Electrical safety**

- a) Ensure that the PE connection has a low-current source.
- b) Use a mains transformer for cable lengths in excess of 66 ft. (20 m). Max. 164 ft. (50 m).

**2 Safety of persons**

- a) 18ET/EC, 48ET/EC series: By accidentally pressing the Start key, the chuck (bit holder) can rotate in the output drive (e.g. when putting down the tool). This can crush or even sever fingers. Never insert your fingers in the chuck. To change the bit, first disconnect the tool cable.

1. Due to their vocational training, knowledge, experience and understanding of the circumstances involved in this kind of work, suitably qualified personnel are able to identify potential hazards and to initiate appropriate safety precautions. Qualified personnel are obliged to follow the regulations, i.e. to obey the rules.

- b) The wearing of gloves is prohibited.
- c) Grip tool firmly in your hand. Be prepared for rapid changes in reaction torque.
- d) When using the tool in confined spaces and with torques in excess of
  - 3 ft.lbf (4 Nm) for straight tools
  - 7 ft.lbf (10 Nm) for pistol/gun tools
  - 44 ft.lbf (60 Nm) for angle tools
 always use a reaction bar. When in use, never place your hand on the reaction bar.
- e) Check that the suspension bail is properly secured to the balancer.

Tools with integrated barcode scanner



-----  
Class 2 laser product

Class 2 laser scanners use a laser diode that produces a low-power visible light beam that is comparable to a very bright source of light, such as the sun.

Doing so can cause damage to the eyes.  
-----

- a) Do not look into the laser beam.
- b) Repair faults on optical parts at once.
- c) Changes to the barcode scanner are prohibited.
- d) Take defective tools out of operation immediately.

**3 Use and handling of a Hand-Held Electric Nutrunner**

- a) Only use screw bits for machine-controlled tools.
- b) Make sure that the screw bits are securely inserted.
- c) Do not attach screw bit to the screw head at an angle.
- d) Never use a high-pressure cleaner/jetter to clean the tool.
- e) Do not immerse tool in cleaning agent.

**4 Designated use**

This product is part of the APEX tightening system and is designed exclusively for fastening and releasing threaded fasteners.

- Only use in conjunction with a control series mPro400GC, accessories and tool cable supplies by Apex Tool Group.
- Do not use as a hammer or for re-bending.
- Do not open it or modify it structurally.
- Do not use it in areas where there is a risk of explosion.

**5 Ambient Conditions**

Function	Temperature	Relative Humidity	Working Height
Transport / Storage	-13°F to +158°F (-25°C to +70°C)	0...90%	up to 9800 ft. (3000 m)
Operating	+32°F to +113°F (0°C to +45°C)	non-condensing	above sea level



## 2 Items supplied, transport/storage:

### Item supplied

Inspect the product for shipment damage and ensure that all items have been received:

- Correct product
- Instruction manual
- Declaration of conformity

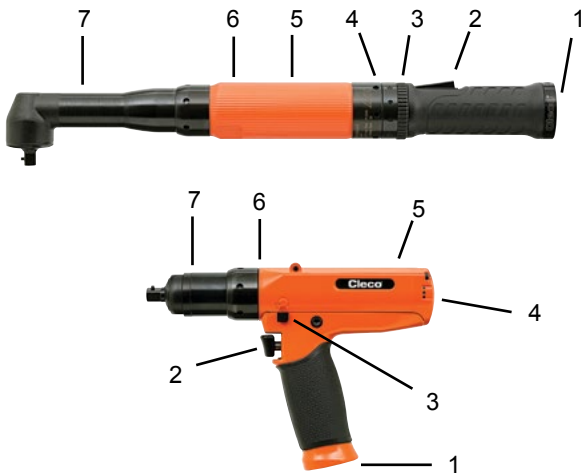
### Transport / Storage

Transport or store in the original packaging. Disconnect the power supply during storage. The packaging is recyclable. Refer to the Ambient Conditions contained in the safety instructions.

## 3 Product description:

### Corded Nutrunners

- Low inertia brushless motor with resolver. Shutoff is torque/angle controlled.
- Integrated preamplifier, including service memory. Self identification of tool when connected to a controller.
- LED display provides information about current rundown result.
- Clockwise/counterclockwise rotation
- Fastening parameters are set by the controller.
- Data transmission and power supplied between the controller and tool by means of the tool cable.



Corded Nutrunners	
Ref.	Description
1	Power Connection
2	Start Button
3	Reversing Mechanism
4	LED Light Ring
5	Motor Assembly
6	Gearing
7	Attachment

## LED Light Ring Display

LED	Description
Green continuous light	OK
Red continuous light	NOK
Yellow	Enable

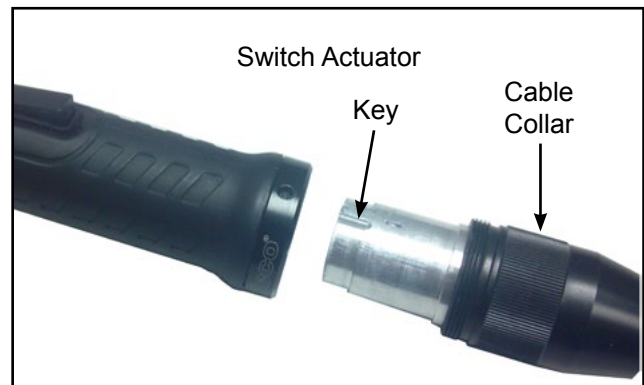
## 4 Before initial operation:

### Power supply

Power for the nutrunner is provided by networking it with a tool controller.

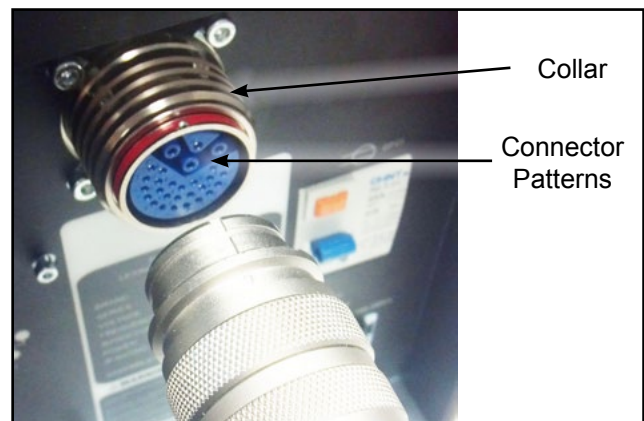
### Cable connection to tool

Insert the tool connection end of the cable into the nutrunner handle. Align the key on the cable connector with the switch actuator on the tool handle. This will allow the key to engage the mating slot inside the handle. Thread the cable collar into the tool handle and tighten securely.



### Cable connection to controller

Connect the other end of the cable to the tool connector on the controller. Make certain the collar on the controller tool connector is pushed in towards the controller. Align the connector patterns on the tool cable and controller connector. Push the cable connector into the controller connector and pull the collar towards the cable to lock the cable connector in position.



## mPro400GC-I global controller

### Tool Cables

48EAE series	Cable Length		EN Description
	Feet	Meters	
<b>Non European Union Cables - Air-LB Connector</b>			
301866-XXX *	3 - 49	1 - 15	Tool Cable (1)
301904-XXX *	3 - 49	1 - 15	Swivel Cable: Inline (1)
301903-XXX *	3 - 49	1 - 15	Swivel Cable: Right Angle (1)
301877-XXX	3 - 66	1 - 20	Extension Cable
<b>European Union Cables - Air-LB Connector</b>			
961259-XXX **	3 - 66	1 - 20	Tool Cable (1)
961250-XXX **	3 - 66	1 - 20	Tool Cable (2)
961251-XXX **	3 - 66	1 - 20	Swivel Cable: Inline (2)
961252-XXX **	3 - 66	1 - 20	Swivel Cable: Right Angle (2)
961249-XXX **	3 - 66	1 - 20	Extension Cable

\* Note: 3 ft. and 6 ft. (1M and 2M) cables must be used with 301877 Extension Cable.

\*\* Note: 20M length does not require a transformer.

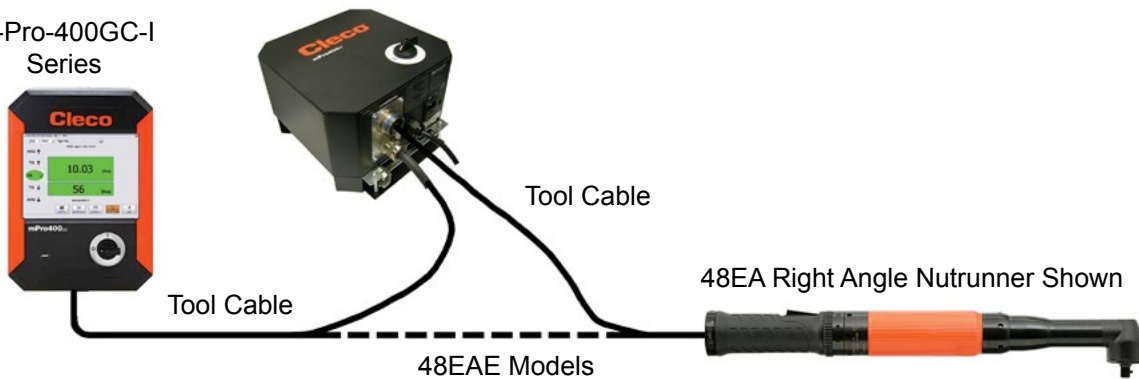
- (1) Standard Durability
- (2) High Durability

48EA series	Cable Length		EN Description
	Feet	Meters	
<b>Non European Union Cables - Matrix Connector</b>			
542778-XXX *	3 - 49	1 - 15	Tool Cable (1)
544056-XXX *	3 - 49	1 - 15	Swivel Cable: Inline (1)
544055-XXX *	3 - 49	1 - 15	Swivel Cable: Right Angle (1)
542779-XXX	3 - 66	1 - 20	Extension Cable
<b>European Union Cables - Matrix Connector</b>			
-----	-----	-----	-----
-----	-----	-----	-----
-----	-----	-----	-----
-----	-----	-----	-----
-----	-----	-----	-----

\* Note: 3 ft. and 6 ft. (1M and 2M) cables must be used with 542779 Extension Cable.

(1) Standard Durability

### m-Pro-400GC-I Series



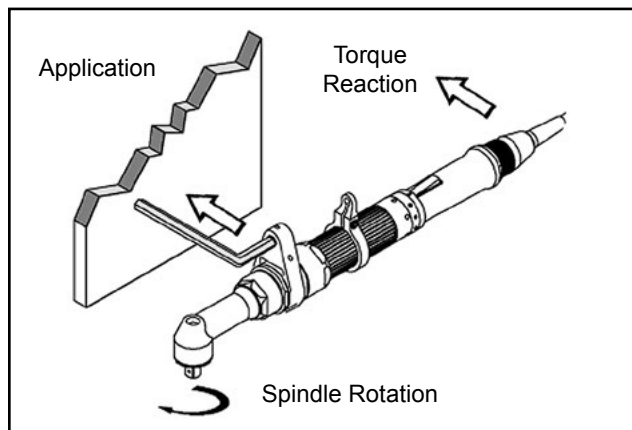
## 5 Initial operation:

### Putting into use

**WARNING!** Danger of hands being crushed.



- Always use a torque reaction bar for applications in a restricted space or high torque: inline tools (4 Nm), pistol grip tools (10 Nm), right angle tools (60 Nm).



### Performing a fastener rundown

The 48E series nutrunners have been configured by Apex Tool Group. A setting for your specific fastener joint must only be made with the nutrunner controller by qualified personnel<sup>1</sup>. The initial operation can vary depending on the type and programming of the nutrunner controller. Refer to the nutrunner controller Programming Manual.

- Make sure the tool cable is securely attached to the tool and controller.
- Make sure the controller is powered on and properly programmed (refer to the controller manuals).
- Make sure the reverse mechanism is in the correct position.
- Place the socket or bit on the application and depress the switch actuator to start the rundown.
- When the nutrunner shuts off, release the switch actuator.
- Remove the nutrunner from the application.

1. Qualified personnel are those who can recognize possible hazards and institute the appropriate safety measures due to their professional training, knowl- edge, and experience as well as their understanding of the relevant conditions pertaining to the work to be done. Qualified personnel must observe the rules

## Maintenance

Implement a comprehensive safety maintenance program to provide regular inspection for all phases of tool operation and air supply equipment.

Daily:

- Visual inspection of all cables and connections
- Visual inspection of all external tool components
- Check the tool for excessive vibration or unusual noises

Approximately 100,000 Rundowns:

- Inspect the tool cable for damage or wear
- Inspect the tool cable connection for a secure fit
- Inspect the output spindle for damage or wear
- Verify the maximum free speed

Approximately 500,000 Rundowns:

- Disassemble the tool and inspect all parts for damage or wear and replace as necessary
- Clean and lubricate the angle head, gearing, and motor bearings
- If equipped; recalibrate the transducer

Approximately 1,000,000 Rundowns:

- Disassemble the tool and inspect all parts for damage or wear and replace as necessary
- Clean and lubricate the angle head, gearing, and motor bearings
- If equipped; recalibrate the transducer

## Lubricants

Application of the assembly tool determines how frequently it is greased. All gearing should receive a generous amount of grease during each service interval.

Part No.	Packaged	Grease
540395	2 oz. (0.06 kg)	Magnalube-G
513156	16 oz. (0.45 kg)	Magnalube-G
541444	2 oz. (0.06 kg)	Rheolube 363AX-1
541445	16 oz. (0.45 kg)	Rheolube 363AX-1

## 6 Troubleshooting:

Malfunction	Possible causes	Remedy
Tool does not start	Faulty start switch	→ Replace start switch
	No speed (RPM) programmed	→ Program speed for all active stages
	Controller waiting for tool enablement	→ Activate input <i>Tool Enable</i> or, if not required → Deactivate <i>Tool Enable</i>
	Faulty cable	→ Repair or replace cable
	Bent pins in cable or tool	→ Straighten contact pins or replace faulty connector
	Self identification data not recognized after tool change	→ Accept <i>Data</i> again (Tool Setup)
No acoustic signal after connection of tool cable	Software incorrect	→ Check controller software / measuring board software
	Cable defective	→ Replace cable
	Tool defective	→ Change tool
Tool doesn't start with counterclockwise rotation activated	With counterclockwise rotation, parameter for speed is set to 0 rpm.	→ Program speed for counterclockwise rotation
Tool starts in tightening direction, but not in counterclockwise rotation	No speed programmed for counterclockwise rotation	→ Program speed for counterclockwise rotation
	Faulty reverse switch	→ Replace Start/Reverse switch assembly
	Faulty cable	→ Repair or replace cable
	Bent pins in cable or tool	→ Straighten contact pins or replace faulty connector
Tool shuts off at desired torque but without angle indicator	Threshold torque is too high	→ Correct fastening sequence or reduce threshold torque value
Tool shuts off prematurely	Operator releases start switch before the control stops the tool	→ Make sure that the operator keeps the start switch pressed throughout the entire sequence.
	The fastening time exceeds the standard time by 10 seconds.	→ Increase the fastening time
	Tool exceeds the angle setpoint	→ Check the fastening sequence to ensure that the torque shutoff value and/or angle setpoint are correct. Adjust as necessary. → Check whether the fastening joint has changed significantly.
Tool does not change speed	Speed is the same in all stages	→ Make sure that the speed and the switching angle in the stages are correct.
LEDs on the tool start to flash when the reverse switch is operated	This is a normal function which is defined in the default parameters.	→ Activate or deactivate the check box <i>Blink Lights when Tool in Reverse</i>
Warning in RUN SCREEN: <i>Offset Transducer 1/2 NOK</i>	The transducer does not return to a zero torque value.	→ Transducer has been overloaded and must be replaced
	Faulty wiring in tool or cable	→ Check tool with different cable. The offset and calibration values can be checked in the <i>Diagnosis</i> menu.
Warning in RUN SCREEN: <i>Tool Offline!</i>	Tool has not been accepted in the <i>Tool Settings</i>	→ Check the Tool List menu to make sure that the tool has been accepted. If it has not been accepted, the status will show <i>Manual acceptance needed</i> . The correct line must be marked before the setting can be accepted in the <i>Tool Settings</i> menu.
	A faulty cable will prevent the tool from being recognized by the nutrunner control.	→ Repair or replace cable
Different torque display in the control and external transducer	Torque calibration factor (Torque Cal.) in <i>Tool Settings</i> must be adjusted.	→ Adjust Torque Cal. ( <i>Tool Settings</i> ) using the following formula: New calibration value = (external value / tool value) x calibration value used
	Customer's angle attachment was added to tool. Tool memory must be updated.	→ Reprogram tool memory
Tool cable does not fit in tool handle	Wrong Cable. Tools in use with nutrunner control mPro400GC use an Air-LB connector. Connector has different size to previously used Matrix connector.	→ Use the right cable for the tool being used.

## 7.1 48E Series Performance Data:

### 48E Series Nutrunner - Air-LB Connector \*

Model Number	Tool Range				Max. Speed (rpm)	Length		Weight		Head Height		Side to Center		Output Drive Size
	Max Torque		Min Torque			in	mm	lbs	kg	in	mm	in	mm	
	lb <sub>r</sub> ×ft	Nm	lb <sub>r</sub> ×ft	Nm										
<b>48EA Series Right Angle Nutrunner **</b>														
48EAE15AL3	11.1	15	2.2	3	2855	15.7	398	3.8	1.7	1.6	41	0.59	15	3/8"
48EAE28AL3	20.7	28	4.4	6	1300	16.2	410	4.1	1.9	1.6	41	0.59	15	3/8"
48EAE41AM3	30.2	41	6.6	9	1090	17.3	440	4.3	2.0	1.9	48	0.75	19	3/8"
48EAE58AM3	42.8	58	8.9	12	770	17.3	440	4.3	2.0	1.9	48	0.75	19	3/8"
48EAE58AM4	42.8	58	8.9	12	770	17.3	440	4.3	2.0	1.9	48	0.75	19	1/2"
48EAE90AH4	64.2	87	13.3	18	515	18.5	470	6.6	3.0	2.3	58	0.81	21	1/2"
48EAE105AH4	76.7	104	15.5	21	340	18.5	470	6.6	3.0	2.3	58	0.81	21	1/2"
48EAE135MH4	98.1	133	19.9	27	265	19.1	485	7.3	3.3	2.4	61	0.94	24	1/2"
48EAE175AX6	129.8	176	26.6	36	190	21.6	549	10.2	4.6	2.7	69	1.06	27	3/4"
48EAE230AX6	169.6	230	33.9	46	145	21.6	549	10.2	4.6	2.7	69	1.06	27	3/4"
<b>48EA Series Right Angle Floating Spindle Nutrunner</b>														
48EAE37S231	27.2	37	5.9	8	1225	18.7	474	5.4	2.4	2.7	69	0.67	17	3/8"
48EAE52S231	38.3	52	8.1	11	860	18.7	474	5.4	2.4	2.7	69	0.67	17	3/8"
48EAE53S341	39.1	53	8.1	11	850	20.0	509	6.0	2.7	3.3	83	0.87	22	1/2"
48EAE75S341	55.3	75	11.0	15	600	20.0	509	6.0	2.7	3.3	83	0.87	22	1/2"
48EAE95S341	70.0	95	14.7	20	460	20.5	521	7.4	3.4	3.3	83	0.87	22	1/2"
48EAE110S341	81.1	110	16.9	23	400	20.5	521	7.4	3.4	3.3	83	0.87	22	1/2"
48EAE135S461	99.5	135	20.6	28	270	20.6	522	8.9	4.0	3.7	94	1.06	27	3/4"
48EAE230S461	169.6	230	34.6	47	150	22.2	563	10.6	4.8	3.7	94	1.06	27	3/4"
<b>48EA Series Right Angle Flush Socket Nutrunner</b>														
48EAE37F2	27.3	37	5.9	8	1225	18.7	474	5.4	2.4	1.7	43	0.67	17	----
48EAE52F2	38.3	52	8.1	11	860	18.7	474	5.4	2.4	1.7	43	0.67	17	----
48EAE53F3	39.0	53	8.1	11	850	20.0	509	6.0	2.7	2.3	59	0.87	22	----
48EAE75F3	55.3	75	11.1	15	600	20.0	509	6.0	2.7	2.3	59	0.87	22	----
48EAE110F3	81.1	110	17.0	23	400	20.5	521	7.4	3.4	2.3	59	0.87	22	----
48EAE135F4	99.5	135	19.9	27	270	20.6	522	8.9	4.0	2.4	61	1.06	27	----
48EAE230F4	172.6	230	34.7	47	150	22.2	563	10.6	4.8	2.4	61	1.06	27	----
<b>48EA Series Right Angle Hold &amp; Drive Nutrunner</b>														
48EAE53H	39.8	54	8.1	11	850	20.2	512	7.9	3.6	2.4	61	1.06	27	----
48EAE75H	56.8	77	11.1	15	600	20.2	512	7.9	3.6	2.4	61	1.06	27	----
48EAE110H	85.6	115	17.0	23	400	20.2	512	8.9	4.0	2.4	61	1.06	27	----
48EAE135H	101.8	135	20.7	28	270	20.6	522	8.9	4.0	2.4	61	1.06	27	----
48EAE230H	169.6	230	34.7	47	150	22.2	563	10.6	4.8	2.4	61	1.06	27	----
<b>48EC Series Inine Crowfoot Nutrunner</b>														
48ECE30C1	22.1	30	7.7	10	860	20.5	521	5.5	2.3	1.7	43	0.63	16	----
48ECE30C3	22.1	30	7.7	10	860	20.5	521	5.5	2.3	1.6	40	0.63	16	----
<b>48EP Series Pistol Grip Nutrunner **</b>														
48EPE12Q	8.9	12	2.2	3	4000	8.3	211	2.7	1.2	----	----	0.84	21	1/4" Hex
48EPE12D2	8.9	12	2.2	3	4000	7.7	196	2.7	1.2	----	----	0.84	21	1/4"
48EPE25D3	18.4	25	4.4	6	1820	8.4	213	2.9	1.3	----	----	0.84	21	3/8"
48EPE36D3	26.6	36	5.9	8	1290	8.4	213	2.9	1.3	----	----	0.84	21	3/8"
48EPE48D3	35.4	48	7.4	10	985	8.6	218	3.0	1.4	----	----	0.84	21	3/8"
48EPE65D4	47.9	65	9.6	13	750	10.8	274	5.0	2.3	----	----	0.91	23	1/2"
48EPE90D4	66.4	90	14.0	19	510	11.3	287	5.3	2.4	----	----	0.91	23	1/2"
48EPE125D4	92.2	125	19.2	26	360	11.3	287	5.3	2.4	----	----	0.91	23	1/2"
48EPE150D4	110.6	150	22.9	31	240	11.3	287	5.3	2.4	----	----	0.91	23	1/2"
48EPE200D6	144.0	195	29.0	40	180	16.2	410	9.5	4.3	----	----	1.13	29	3/4"
48EPE500D6	368.0	500	72.0	100	53	16.2	410	9.8	4.5	----	----	1.13	29	3/4"
48EPE1000D8	740.0	1000	170.0	250	33	19.2	486	16.2	7.3	----	----	1.50	38	1"

\* Note: 48E series Matrix tool connector specifications are the same.

\*\* Note: Pin retainer models shown. Ball retainer models (termination B) specifications are the same.

### 7.1 48E Series Performance Data (continued):

**48E Series Nutrunner - Air-LB Tool Connector \* (continued)**

Model Number	Tool Range				Max. Speed (rpm)	Length		Weight		Head Height		Side to Center		Output Drive Size
	Max Torque		Min Torque			in	mm	lbs	kg	in	mm	in	mm	
	lb <sub>r</sub> ·ft	Nm	lb <sub>r</sub> ·ft	Nm										
<b>48ES Series Inline Nutrunner **</b>														
48ESE12Q	8.9	12	2.2	3	4000	13.5	343	3.0	1.4	---	---	0.91	23	1/4" Hex
48ESE12D2	8.9	12	2.2	3	4000	13.0	330	3.0	1.4	---	---	0.91	23	1/4"
48ESE25D3	18.4	25	4.4	6	1820	13.6	345	3.2	1.5	---	---	0.91	23	3/8"
48ESE36D3	26.6	36	5.9	8	1290	13.6	345	3.2	1.5	---	---	0.91	23	3/8"
48ESE48D3	35.4	48	7.4	10	985	13.8	351	3.3	1.5	---	---	0.91	23	3/8"
48ESE65D4	47.9	65	9.6	13	750	16.6	420	5.3	2.4	---	---	1.13	29	1/2"
48ESE90D4	66.4	90	14.0	19	510	17.1	435	5.6	2.5	---	---	1.13	29	1/2"
48ESE125D4	92.2	125	19.2	26	360	17.1	435	5.6	2.5	---	---	1.13	29	1/2"
48ESE150D4	110.6	150	22.9	31	240	17.1	435	5.6	2.5	---	---	1.13	29	1/2"
<b>48ES Series Inline Floating Spindle Nutrunner</b>														
48ESE12ZA	8.9	12	2.2	3	4000	16.7	425	3.4	1.5	---	---	0.91	23	1/4"
48ESE271ZB	19.9	27	5.9	8	1820	22.0	559	5.8	2.6	---	---	0.92	23	3/8"
48ESE361ZB	26.6	36	5.2	7	1290	22.0	559	5.8	2.6	---	---	0.92	23	3/8"
48ESE602ZB	42.0	57	8.1	11	855	24.4	620	8.4	3.8	---	---	1.10	28	1/2"
48ESE702ZB	50.2	68	10.3	14	570	24.4	620	8.4	3.8	---	---	1.10	28	1/2"
48ESE802ZB	60.5	82	12.5	17	450	26.7	678	9.6	4.4	---	---	1.10	28	1/2"
48ESE1152ZB	84.8	115	18.4	25	320	26.7	678	9.6	4.4	---	---	1.10	28	1/2"
48ESE1502ZB	110.6	150	22.9	31	245	26.7	678	9.6	4.4	---	---	1.10	28	1/2"
48ESE1653ZB	121.7	165	24.3	33	220	28.6	726	14.6	6.6	---	---	1.57	40	3/4"
48ESE2503ZB	182.9	548	36.8	50	145	28.6	726	14.6	6.6	---	---	1.57	40	3/4"
<b>48ET Series Inline Tube Nut Nutrunner</b>														
48ETE20T2	14.8	20	7.4	10	1425	16.9	430	4.4	2.0	---	---	0.78	20	1/2"
48ETE30T3	22.1	30	11.1	15	1030	16.6	422	4.5	2.0	---	---	0.83	21	3/4"
48ETE40T4	29.5	40	14.8	20	770	17.9	454	5.3	2.3	---	---	1.18	30	1-1/16"

\* Note: 48E series Matrix tool connector specifications are the same.

\*\* Note: Pin retainer models shown. Ball retainer models (termination B) specifications are the same.



## 7.2 48E Series Tool Memory:

### 48E Series Nutrunner - Air-LB Tool Connector \*

Model Number	Max Speed [RPM]	Max Torque [Nm]	Torque Cal [NM]	Transducer Type	Angle Cal [PPD]	Static Current Factor [Nm/A]
<b>48EA Series Right Angle Nutrunner **</b>						
48EAE15AL3	2855	15	17.9794	542846-12	29.8662	0.6929
48EAE28AL3	1300	28	42.8072	542846-31	65.6023	1.4458
48EAE41AM3	1090	41	50.9609	542846-31	78.0980	1.7212
48EAE58AM3	770	58	77.2838	542846-48	110.2015	2.4287
48EAE58AM4	770	58	77.2838	542846-48	110.2015	2.4287
48EAE90AH4	515	87	158.3540	542846-100	165.6771	3.6514
48EAE105AH4	340	104	156.6510	542846-100	248.0254	5.4662
48EAE135MH4	265	133	199.7300	542846-100	316.2324	6.9694
48EAE175AX6	190	176	231.2227	542846-40	441.5931	9.2456
48EAE230AX6	145	230	228.7037	542846-40	575.9910	12.0595
<b>48EA Series Right Angle Floating Spindle Nutrunner</b>						
48EAE37S231	1225	37	45.8648	542846-31	70.2893	1.5491
48EAE52S231	860	52	69.5554	542846-48	99.1829	2.1859
48EAE53S341	850	53	65.5212	542846-31	100.4132	2.2130
48EAE75S341	600	75	99.3649	542846-48	141.6898	3.1226
48EAE95S341	460	95	98.2031	542846-48	185.5462	4.0892
48EAE110S341	400	110	203.5980	542846-100	213.0167	4.6946
48EAE135S461	270	135	201.4084	542846-100	318.8948	7.0280
48EAE230S461	150	230	297.2863	542846-40	567.7714	11.8873
<b>48EA Series Right Angle Flush Socket Nutrunner</b>						
48EAE37F2	1225	37	45.8648	542846-31	70.2893	1.5491
48EAE52F2	860	52	69.5554	542846-48	99.1829	2.1859
48EAE53F3	850	53	65.5212	542846-31	100.4132	2.2130
48EAE75F3	600	75	99.3649	542846-48	141.6898	3.1226
48EAE110F3	400	110	203.5980	542846-100	213.0167	4.6946
48EAE135F4	270	135	201.4084	542846-100	318.8948	7.0280
48EAE230F4	150	230	297.2863	542846-40	567.7714	11.8873
<b>48EA Series Right Angle Hold &amp; Drive Nutrunner</b>						
48EAE53H	850	54	65.5212	542846-31	100.4132	2.2130
48EAE75H	600	77	99.3649	542846-48	141.6898	3.1226
48EAE110H	400	115	203.5980	542846-100	213.0167	4.6946
48EAE135H	270	135	201.4084	542846-100	318.8948	7.0280
48EAE230H	150	230	297.2863	542846-40	567.7714	11.8873
<b>48EC Series Inline Crowfoot Nutrunner</b>						
48ECE30C1	860	30	49.1424	542846-48	99.1829	1.5444
48ECE30C3	860	30	49.1424	542846-48	99.1829	1.5444
<b>48EP Series Pistol Grip Nutrunner **</b>						
48EPE12Q	4000	12	13.9592	542846-12	21.3330	0.5379
48EPE12D2	4000	12	13.9592	542846-12	21.3330	0.5379
48EPE25D3	1820	25	33.2354	542846-31	46.8588	1.1225
48EPE36D3	1290	36	37.8018	542846-36	66.1209	1.5840
48EPE48D3	985	48	49.8132	542846-48	86.5869	2.0742
48EPE65D4	750	65	70.3865	542846-12	113.2308	2.7124
48EPE90D4	510	90	111.9428	542846-31	166.1383	3.7809
48EPE125D4	360	125	127.3235	542846-36	234.4323	5.3350
48EPE150D4	240	150	190.6085	542846-36	350.9548	7.9868
48EPE200D6	178	200	282.9741	542846.12	479.1795	10.9048
48EPE500D6	53	500	903.0329	542846-12	1609.6500	34.7997
48EPE1000D8	33	1000	1449.6660	542846-12	2584.0198	55.8650

\* Note: 48E series Matrix tool connector specifications are the same.

\*\* Note: Pin retainer models shown. Ball retainer models (termination B) specifications are the same.

## 7.2 48E Series Tool Memory (continued):

### 48E Series Nutrunner - Air-LB Tool Connector \* (continued)

Model Number	Max Speed [RPM]	Max Torque [Nm]	Torque Cal [NM]	Transducer Type	Angle Cal [PPD]	Static Current Factor [Nm/A]
<b>48ES Series Inline Nutrunner **</b>						
48ESE12Q	4000	12	13.9592	542846-12	21.3330	0.5379
48ESE12D2	4000	12	13.9592	542846-12	21.3330	0.5379
48ESE25D3	1820	25	33.2354	542846-31	46.8588	1.1225
48ESE36D3	1290	36	37.8018	542846-36	66.1209	1.5840
48ESE48D3	985	48	49.8132	542846-48	86.5869	2.0742
48ESE65D4	750	65	70.3865	542846-12	113.2308	2.7124
48ESE90D4	510	90	111.9428	542846-31	166.1383	3.7809
48ESE125D4	360	125	127.3235	542846-36	234.4323	5.3350
48ESE150D4	240	150	190.6085	542846-36	350.9548	7.9868
<b>48ES Series Inline Floating Spindle Nutrunner</b>						
48ESE12ZA	4000	12	13.9592	542846-12	21.3333	0.5379
48ESE271ZB	1820	27	33.2354	542846-31	46.8595	1.1225
48ESE361ZB	1290	36	37.8018	542846-36	66.1219	1.5840
48ESE602ZB	855	57	103.2743	542846-100	99.4078	2.3813
48ESE702ZB	570	68	102.1637	542846-100	148.8176	3.5649
48ESE802ZB	450	82	153.7513	542846-40	188.3146	4.2855
48ESE1152ZB	320	115	150.7974	542846-40	264.9600	6.0298
48ESE1502ZB	245	150	149.1546	542846-40	345.6000	7.8649
48ESE1653ZB	220	165	376.0907	542846-100	381.0632	8.6720
48ESE2503ZB	145	548	372.0461	542846-100	570.4674	12.9823
<b>48ET Series Inline Tube Nut Nutrunner</b>						
48ETE20T2	1425	20	35.9914	542846-17	59.7333	0.9790
48ETE30T3	1030	30	49.8343	542846-17	82.7077	1.3556
48ETE40T4	770	40	66.4457	542846-17	110.2769	1.8075

\* Note: 48E series Matrix tool connector specifications are the same.

\*\* Note: Pin retainer models shown. Ball retainer models (termination B) specifications are the same.

## Zu dieser Bedienungsanleitung

Diese Bedienungsanleitung ist im Original in englischer Sprache verfasst. Diese Bedienungsanleitung richtet sich an alle Personen, die an der Bedienung und Wartung dieses Geräts beteiligt sind.

Diese Bedienungsanleitung:

- gibt wichtige Hinweise für einen sicheren und effizienten Betrieb.
- beschreibt Funktion und Bedienung dieses Geräts.
- dient als Nachschlagewerk für technische Daten, Wartungsintervalle und Ersatzteilbestellungen.
- liefert Informationen in Bezug auf optionale Zusatzeinrichtungen.

### Symbole im Text:

- Kennzeichnet Anweisungen, die befolgt werden müssen.
- Kennzeichnet eine Liste.
- <..> Kennzeichnet eine Referenznummer für Explosionsdarstellungen.

**Fett** Kennzeichnet eine wichtige Eigenschaft oder Anweisung.

IO In Ordnung (akzeptabel)

NIO Nicht in Ordnung (nicht akzeptabel)

### Grafiksymbole:

- Kennzeichnet eine gerichtete Bewegung.
- ↓ Kennzeichnet eine Funktion oder Kraft.

### Urheberschutz:

Die Apex Tool Group, LLC behält sich das Recht für dieses Dokument ohne Vorankündigung zu modifizieren, zu ergänzen oder zu verbessern. Ohne die ausdrückliche Erlaubnis der Apex Tool Group, LLC darf dieses Dokument, ob vollständig oder in Teilen, in keiner Weise, weder in der Form oder dem Layout, reproduziert oder in eine andere natürliche oder maschinenlesbare Sprache oder auf einen Datenträger, egal ob elektronisch, mechanisch, optisch oder sonstiges kopiert werden.

## 1 Sicherheit

### Warnhinweise und Hinweise

Warnhinweise sind durch ein Signalwort und ein Symbol gekennzeichnet.

- Das Signalwort weist auf den Schweregrad und die Wahrscheinlichkeit des Eintretens der jeweiligen Gefahr hin.
- Das Piktogramm weist auf die Art der Gefahr hin.

#### WARNUNG



Weist auf eine mögliche **Gefahr** für die Gesundheit hin. Wird diese Warnung nicht beachtet, kann dies zum Tod oder schweren Verletzungen führen.

#### VORSICHT



Weist auf eine mögliche **Gefahr** hin, die – falls nicht vermieden – zu leichten oder mittelschweren Verletzungen oder Sach- und Umweltschäden führen kann.



**ALLGEMEINER HINWEIS** kennzeichnet nützliche Informationen, die Tipps zur Anwendung enthalten, sich aber nicht auf Gefahren beziehen.

### Symbole auf dem Produkt

Bevor Sie das Produkt verwenden, müssen Sie die Bedeutung dieser Symbole verstanden haben.



**Elektrizität:** Weist auf eine mögliche **Gefahr** für die Gesundheit hin. Werden die Sicherheits- und Bedienungsanweisungen nicht beachtet, kann dies zu einem Stromschlag, Verbrennungen oder schweren Verletzungen führen.



Lesen Sie alle Anweisungen durch.



Beachten Sie die lokalen Entsorgungsrichtlinien für alle Komponenten dieses Geräts und seiner Verpackung.



CE-konform



Eurasische Konformität

## Allgemeine Sicherheitsanweisungen zum Verschraubungssystem

**WARNUNG** Gefahr eines elektrischen Schlags. Kontakt mit Netzspannung und 320 VDC.



Bei einem Fehler kann es am Schrauber und an der Steuerung zu einem elektrischen Schlag kommen. Ein elektrischer Schlag kann zu Kreislaufstillstand, Atemstillstand, Verbrennungen sowie schweren Verletzungen und zum Tod führen.

→ Nehmen Sie das Schraubensystem erst in Betrieb, nachdem Sie die folgenden Sicherheitshinweise gelesen und vollständig verstanden haben.

Werden diese Anweisungen nicht befolgt, kann dies neben den oben genannten Verletzungen auch zu einer Beschädigung der Schraubersteuerung und zu einem Erlöschen der Garantie führen.

### 1 Hinweise für den Anlagen-Betreiber

Diese Sicherheitsanweisungen sind nicht als vollständig zu erachten. Bei der Installation müssen örtliche und nationale Sicherheits- und Verkabelungsstandards befolgt werden. Diese Standards haben Vorrang vor allen Angaben dieses Abschnitts.

Diese Sicherheitsanweisungen müssen dem Bediener jederzeit zugänglich sein. Sie sind allen Personen, die das Gerät verwenden oder reparieren vorzulegen und zugänglich zu machen.

### 2 Bedienschulung

Diese Schraubersteuerung darf nur von qualifiziertem und ausgebildetem Personal installiert, eingestellt oder getestet werden. Das Personal muss durch qualifizierte Mitarbeiter von APEX geschult sein<sup>1)</sup>.

Die Schraubersteuerung wurde von APEX voreingestellt. Einstellungen für spezifische Schraubverbindungen dürfen nur mit der Schraubersteuerung durch qualifizierte Personen durchgeführt werden<sup>1)</sup>. Weitere Informationen finden Sie in der Programmieranleitung.

### 3 Bestimmungsgemäßer Gebrauch

Das Verschraubungssystem von APEX ist ausschließlich für Schraubvorgänge in der Industrie vorgesehen.

→ Verwenden Sie das Verschraubungssystem nur unter folgenden Bedingungen:

- in geschlossenen Räumen
- in Industrieumgebungen mit EMV-Grenzwertklasse A

### 4 Persönliche Schutzausrüstung

Verletzungsgefahr durch Aufwickeln und Erfassen:

→ Beim Arbeiten mit rotierenden Teilen ist das Tragen von Handschuhen verboten.

→ Enganliegende Kleidung tragen.

→ Bei Bedarf ein Haarnetz tragen.

Verletzungsgefahr durch herausgeschleuderte Teile:

→ Schutzbrille tragen.

### 5 Arbeitsplatz

→ Halten Sie Ihre Arbeitsstätte immer sauber und aufgeräumt.

→ Sorgen Sie für ausreichend Platz im Arbeitsbereich.

→ Bleiben Sie beim Arbeiten mit einem Schrauber aufmerksam, achten Sie auf Ihre Handlungen und verhalten Sie sich

vernünftig. Verwenden Sie das Werkzeug nicht, wenn Sie müde sind oder unter Einfluss von Drogen, Alkohol oder Medikamenten stehen. Ein Moment der Unachtsamkeit beim Arbeiten mit einem Schrauber kann zu schweren Verletzungen führen.

### 6 Betrieb

→ Falls das System durch den Fehlerstrom-Schutzschalter abgeschaltet wird, beheben Sie die Ursache des hohen Fehlerstroms, bevor Sie mit dem Betrieb fortfahren.

→ Ziehen Sie niemals den Stecker aus einer Steckdose.

→ Halten Sie das Kabel von Hitze, Öl, scharfen Kanten oder bewegten Teilen fern.

→ Ersetzen Sie beschädigte Kabel sofort.

### 7 Reinigung

→ Reinigen Sie das Elektrowerkzeug und die Schraubersteuerung nur von außen mit einem feuchten Tuch.

→ Wenden Sie keinerlei Waschverfahren an.

### 8 Entsorgung

Bauteile und Hilfsmaterial des Verschraubungssystems stellen Risiken für Gesundheit und Umwelt dar.

→ Lösen Sie die Komponenten aus dem jeweiligen Gehäuse, und trennen Sie die unterschiedlichen Materialien vor der Entsorgung voneinander.

→ Geben Sie das Werkzeug und die defekte Schraubersteuerung an die Entsorgungsstelle in Ihrem Unternehmen oder an ein Vertriebs- und Servicecenter zurück.

→ Befolgen Sie die regional geltenden Bestimmungen.



Beachten Sie allgemein gültige Entsorgungsrichtlinien wie z. B. in Deutschland das ElektroG und das Battg:

→ Aufgebrauchte Akkus müssen ordnungsgemäß entsorgt werden. Geben Sie defekte Batterien an die Entsorgungsstelle in Ihrem Unternehmen oder an ein Vertriebs- und Servicecenter zurück.

1. Qualifiziertes Personal ist aufgrund von Berufsausbildung, Kenntnisse, Erfahrung und Verständnis der Umstände der durchzuführenden Arbeiten dazu in der Lage, mögliche Gefahren zu erkennen und angemessene Sicherheitsmaßnahmen einzuleiten. Qualifiziertes Personal muss die Regeln befolgen.

## Allgemeine Sicherheitshinweise Steuerung

- Nehmen Sie keine Änderungen an Schraubersteuerung, Schutzvorrichtungen oder Zubehörteilen ohne schriftliche Genehmigung von Apex Tool Group LLC vor.
- Versuchen Sie nicht, die Schraubersteuerung oder Teile der Steuerung zu öffnen. Weder zur Fehlerbehebung noch zur Ausführung anderer Arbeiten am Gerät. Jegliche Störungen können zu einem Fehler führen, der schwere Verletzungen aufgrund eines elektrischen Schlags verursachen kann.

Der Betrieb mit einer geöffneten Steuerung kann folgende Probleme verursachen:

- erhöhte Störungsemissionen: der Betrieb anderer Geräte kann beeinträchtigt werden.
  - reduzierte Störfestigkeit: die Schraubersteuerung funktioniert möglicherweise nicht fehlerfrei.
  - Bei Öffnen der Schraubersteuerung erlischt die Garantie.
- Schicken Sie die vollständige Schraubersteuerung zur Reparatur an Ihr Vertriebs- und Servicecenter.

### 1 Bestimmungsgemäßer Gebrauch

Dieses Produkt ist ein Teil des Verschraubungssystems von APEX und ausschließlich für Schraubvorgänge in der Industrie vorgesehen.

- Verwenden Sie die Schraubersteuerung nur unter folgenden Bedingungen:
  - In Verbindung mit APEX-Werkzeugen.
    - kabelgebundene Werkzeuge
    - kabellose LiveWire EC-Werkzeuge
    - eingebauter Schrauber
  - Mit dem zugelassenen Zubehör und Kabeln von APEX.
  - Mit der zugelassenen Versorgungsspannung.
  - Ausschließlich mit der für den Schrauber vorgesehenen Geschwindigkeit.
  - Mit der zugelassenen maximalen Kabellänge.
  - In geschlossenen Räumen.
  - in Industrieumgebungen mit EMV-Grenzwertklasse A
- Verwenden Sie die Schraubersteuerung nicht
  - in explosionsgefährdeten Bereichen.
  - in feuchten Räumen / im Freien.

### 2 Umgebungsbedingungen

- Schützen Sie die Schraubersteuerung vor Hitze, Feuer, Explosionsgefahr und Feuchtigkeit.

Funktion	Temperatur	Relative Feuchtigkeit	Arbeits-höhe
Transport/ Lagerung	-25 °C bis +70 °C (-13 °F bis +158 °F)	0...90 % nicht kondensierend	bis zu 3000 m (9800 ft.) über NN
Betrieb	0 °C bis +45 °C (+32 °F bis +113°F)		

### 3 Erforderliche Energieversorgung

- Betreiben Sie das Gerät nur an Netzen mit Erdungsverbindung (TN-Systeme). Der Betrieb in Verbindung mit einem IT-System ist nicht zugelassen.

Schrauber- steuerung	Eingangsspannung, einphasig	Frequenz	Eingangs- strom 16 A max.
mPro400GC-P	115 VAC (104-126 VAC) 230 VAC (207-254 VAC)	50-60 Hz	2 A 1 A
mPro400GC-P230	230 VAC (207-254 VAC)		1 A
mPro400GC-S	115 VAC (104-126 VAC) 230 VAC (207-254 VAC)		2 A 1 A
mPro400GC-S230	230 VAC (207-254 VAC)		1 A
mPro400GC-M	115 VAC - 230 VAC (104-254 VAC)		1 A - 0,5 A
mPro400GC-E	115 VAC (104-126 VAC) 230 VAC (207-254 VAC)		2 A 1 A
mPro400GC-I	115 VAC (104-126 VAC) 230 VAC (207-254 VAC)		2 A
			1 A

### 4 Installation

Quetschgefahr. Die Schraubersteuerung kann herunterfallen und Quetschungen an den Füßen verursachen.

- Verwenden Sie eine geeignete Hubvorrichtung.
- Tragen Sie Sicherheitsschuhe.
- Sorgen Sie für eine sichere Befestigung der Schraubersteuerung: 4 x M6, gegen Lösen gesichert (siehe Beschreibung, Hardware P2174HW).
- Verlegen Sie alle verbundenen Kabel und Leitungen sicher, damit sie nicht beschädigt werden und keine Stolpergefahr darstellen.
- Verwenden Sie Kabel mit einer maximalen Länge von 20 m. Bei längeren Kabeln ist ein Trenntrafo erforderlich, Bestellnummer 544185PT.

Wie bereits erwähnt, kann bei einem Fehler eine hohe Spannung am Gehäuse anliegen und zu Verletzungen führen.

- Verwenden Sie eine gekapselte Versorgungsleitung. Verwenden Sie beim Wechsel ein normgerechtes Netzmanagement.
- Bei Betrieb mit 115 VAC: Verwenden Sie Kabel mit einem größeren Querschnitt.
- Stellen Sie einen Potentialausgleich zwischen Maschine/ Werkstück und Werkzeug her.
- Bevor Sie die Schraubersteuerung in Betrieb nehmen, stellen Sie sicher, dass alle Verbindungen korrekt hergestellt sind (siehe Beschreibung, Hardware P2174W).

### 5 Vor der erstmaligen Inbetriebnahme

- Führen Sie vor der erstmaligen Inbetriebnahme PE-Messungen gemäß örtlich geltenden Vorschriften durch (DGUV Vorschrift 3 in Deutschland).
- Beachten Sie die Sicherheitshinweise auf Schraubersteuerung und Werkzeug.
- Prüfen Sie die Schraubersteuerung, das Werkzeug und die Kabel auf sichtbare Schäden.
- Beim Wechseln, Reinigen und Außerbetriebnehmen des Geräts muss die Schraubersteuerung abgeschaltet und vom Netz getrennt sein, bevor das Netz- und Werkzeugkabel getrennt oder verbunden werden.

### 6 Betrieb

- Schalten Sie die Schraubersteuerung bei ungewöhnlichen Geräuschen, Vibrationen oder Gerüchen sofort ab. Trennen Sie das Verschraubungssystem von der Energieversorgung und lassen Sie es von qualifiziertem Personal überprüfen und bei Bedarf reparieren.
- Ersetzen Sie beschädigte Kabel sofort.



## 7 Wartung

- Richten Sie ein Sicherheits-Wartungsprogramm ein, und stellen Sie sicher, dass es durchgeführt wird. Dieses Programm muss auf Konformität mit Vorschriften sowie die Inspektion und Wartung in allen Stadien über die Lebensdauer der Schraubersteuerung hinweg zugeschnitten sein.
- Testen Sie den Fehlerstrom-Schutzschalter in einem durch die örtlich geltenden Vorschriften vorgegebenen Zeitintervall (DGUV Vorschrift 3 in Deutschland).

### mPro400GC-P, mPro400GC-S

- Drücken Sie die Prüftaste an der unteren Platte der Schraubersteuerung.

### mPro400GC-P230, mPro400GC-S230

- Prüfen Sie den Fehlerstromkreis über die Buchse *GFCI Test* (siehe Wartungshandbuch P2249WA), oder
- Drücken Sie die Prüftaste an der unteren Platte der Schraubersteuerung.

## Allgemeine Sicherheitshinweise für Elektrowerkzeuge

### WARNUNG



**Lesen Sie alle Sicherheitshinweise und Anweisungen.**


Jegliche Nichtbeachtung der Sicherheitshinweise und Anweisungen kann zu einem elektrischen Schlag, Feuer und/oder zu schweren Verletzungen führen.

**Bewahren Sie alle Sicherheitshinweise zur späteren Verwendung auf.**

Der Begriff „Elektrowerkzeug“ in diesen Sicherheitsanweisungen bezieht sich auf am Stromnetz betriebene Werkzeuge (mit Netzkabel) sowie auf batteriebetriebene Elektrowerkzeuge (ohne Netzkabel).

### 1 Sicherheit am Arbeitsplatz

- a) **Sorgen Sie für einen sauberen und gut beleuchteten Arbeitsplatz.** Verschmutzte und/oder schlecht beleuchtete Arbeitsplätze begünstigen Unfälle.

- b)  **Arbeiten Sie mit Ihrem Elektrowerkzeug niemals in explosionsgefährdeten Umgebungen, d. h. an Orten, in denen brennbare Flüssigkeiten, Gase oder Stäube auftreten.** Elektrowerkzeuge erzeugen Funken, die diese Stäube und/oder Dämpfe entzünden können.

- c) **Halten Sie bei der Arbeit mit dem Elektrowerkzeuge Kinder und andere Personen fern.** Bei Ablenkungen können Sie die Kontrolle über das Gerät verlieren.


### 2 Elektrische Sicherheit

- a) **Der Netzstecker Ihres Elektrowerkzeugs muss in die Buchse oder Steckdose passen. Nehmen Sie keine Veränderungen am Stecker vor. Verwenden Sie niemals einen Adapterstecker in Verbindung mit geerdeten Elektrowerkzeugen.** Unveränderte Stecker und geeignete Steckdosen/Buchsen reduzieren die Gefahr eines elektrischen Schlags.
- b) **Vermeiden Sie direkten Kontakt mit geerdeten Oberflächen wie Rohrleitungen, Heizkörpern, Herden oder Kühlschränken.** Wenn Ihr Körper geerdet ist, besteht ein höheres Risiko für einen elektrischen Schlag.
- c) **Halten Sie Elektrowerkzeuge von Regen und Feuchtigkeit fern.** Bei Eindringen von Wasser in ein Elektrowerkzeug besteht eine erhöhte Gefahr eines elektrischen Schlags.

- d) **Verwenden Sie das Kabel nicht zu unerlaubten Zwecken, z. B. zum Tragen oder Aufhängen des Elektrowerkzeugs oder um den Stecker aus der Buchse/Steckdose zu ziehen. Halten Sie das Kabel von Hitze, Öl, scharfen Kanten oder bewegten Teilen fern.** Beschädigte oder verfangene Kabel erhöhen die Gefahr eines elektrischen Schlags.
- e) **Falls Sie mit einem Elektrowerkzeug im Freien arbeiten, verwenden Sie immer Verlängerungskabel, die für den Einsatz im Freien geeignet sind.** Die Verwendung eines für den Einsatz im Freien geeigneten Verlängerungskabels reduziert die Gefahr eines elektrischen Schlags.
- f) **Falls die Verwendung eines Elektrowerkzeugs in einer feuchten Umgebung nicht vermieden werden kann, verwenden Sie eine Fehlerstrom-Schutzvorrichtung.** Die Verwendung einer Fehlerstrom-Schutzvorrichtung reduziert die Gefahr eines elektrischen Schlags.

### 3 Personensicherheit


- a) **Gehen Sie bei der Arbeit mit Elektrowerkzeugen immer vorsichtig vor, achten Sie auf das, was Sie tun, und handeln Sie stets verantwortungsvoll. Verwenden Sie ein Elektrowerkzeug niemals unter dem Einfluss von Drogen, Alkohol oder Medikamenten.** Bei der Nutzung von Elektrowerkzeugen kann ein kurzer Moment der Unaufmerksamkeit schwere Verletzungen zur Folge haben.

- b)  **Tragen Sie Ihre persönliche Schutzausrüstung (PSA), und tragen Sie stets eine Schutzbrille.** Durch das Tragen von persönlicher Schutzausrüstung wie einer Staubmaske, rutschfesten Sicherheitsschuhen, eines Helms und Ohrschützern können Sie, je nach der Art und Einsatzweise des Elektrowerkzeugs, die Verletzungsgefahr senken.

- c) **Vermeiden Sie versehentliches Einschalten. Stellen Sie sicher, dass das Elektrowerkzeug abgeschaltet ist, bevor Sie es mit dem Netz oder einer Batterie verbinden, es in die Hand nehmen oder herumtragen.** Wenn sich Ihr Finger am Startschalter befindet und/oder der Gerät eingeschaltet bzw. mit dem Stromnetz verbunden ist, kann es zu Unfällen kommen.

- d) **Entfernen Sie Aufspannwerkzeuge oder Schlüssel, bevor Sie ein Elektrowerkzeug einschalten.** Wenn ein Aufspannwerkzeug oder Schlüssel an einem rotierenden Teil des Geräts belassen wird, kann dies zu Verletzungen führen.

- e) **Vermeiden Sie unnormale oder ungewohnte Körperhaltungen. Sorgen Sie für eine gute Standfestigkeit und halten Sie immer die Balance.** Auf diese Weise können Sie das Elektrowerkzeug in unerwarteten Situationen besser kontrollieren.

- f)  **Tragen Sie angemessene Kleidung. Tragen Sie niemals lose herunterhängende Kleidung oder Schmuck. Halten Sie Haar, Kleidung und Handschuhe stets von bewegten Teilen fern.** Lose Kleidung, Schmuck oder langes Haar kann sich in bewegten Teilen verfangen.

- g) **Falls eine Staubabsaugungs- und Staubsaugereinrichtung montiert werden kann, sorgen Sie dafür, dass diese verbunden ist und korrekt genutzt wird.** Der Einsatz einer Staubabsaugung kann staubbedingte Gefahren mindern.

### 4 Nutzung und Handhabung von Elektrowerkzeugen

- a) **Das Gerät darf niemals überlastet werden. Verwenden Sie das richtige Elektrowerkzeug für Ihre Arbeit.** Durch den Einsatz des richtigen Elektrowerkzeugs können Sie besser und sicherer innerhalb des vorgegebenen Drehmomentbereichs arbeiten.



- a) **Verwenden Sie niemals ein Elektrowerkzeug mit defektem Schalter.** Ein Elektrowerkzeug, das nicht mehr ein- und ausgeschaltet werden kann, ist gefährlich und muss repariert werden.
- b) **Ziehen Sie den Steckverbinder aus der Schraubersteuerung bzw. das Werkzeugkabel aus der Buchse/Steckdose und/oder entfernen oder trennen Sie die Batterie, bevor Sie Änderungen an der Werkzeugeinstellung vornehmen, Zubehör wechseln oder das Werkzeug ablegen.** Diese Vorsichtsmaßnahmen verhindern ein erneutes Anlaufen des Elektrowerkzeugs.
- c) **Wenn das Elektrowerkzeug nicht genutzt wird, muss es von Kindern ferngehalten werden. Lassen Sie niemanden das Werkzeug verwenden, der nicht mit dessen Bedienung vertraut ist bzw. die Bedienungsanleitung nicht gelesen hat.** Die Verwendung von Elektrowerkzeugen durch unerfahrene Personen kann gefährlich sein.
- d) **Behandeln Sie Elektrowerkzeuge sorgfältig. Prüfen Sie, ob alle bewegten Teile einwandfrei funktionieren und nicht klemmen. Achten Sie außerdem darauf, dass kein Teil des Geräts gebrochen oder so weit beschädigt ist, dass die Funktion des Elektrowerkzeugs eingeschränkt wird. Lassen Sie beschädigte Teile reparieren, bevor Sie das Gerät verwenden.** Unzureichend gewartete Elektrowerkzeuge sind oft die Ursache für Unfälle.
- e) **Halten Sie Schneidwerkzeuge scharf und sauber.** Sorgfältig gewartete Schneidwerkzeuge mit scharfen Schneiden verkanten seltener und sind leichter zu führen.
- f) **Verwenden Sie Elektrowerkzeuge, Zubehör und Schlagwerkzeugestets im Einklang mit diesen Anweisungen. Achten Sie außerdem auf die Bedingungen in Ihrer Umgebung und auf die Eigenheiten der auszuführenden Arbeit.** Die Verwendung von Elektrowerkzeugen zu Zwecken, für die sie nicht vorgesehen sind, kann sehr gefährlich sein.



- b) Das Tragen von Handschuhen ist verboten.
- c) Greifen Sie das Werkzeug fest mit der Hand. Machen Sie sich auf schnelle Veränderungen des Gegendrehmoments gefasst.
- d) Bei der Verwendung des Werkzeugs an engen Orten und mit Drehmomenten über
  - 4 Nm für gerade Werkzeuge
  - 10 Nm für Werkzeuge mit Pistolengriff
  - 60 Nm für abgewinkelte Werkzeuge
 muss immer eine Reaktionsstange verwendet werden. Legen Sie bei der Benutzung niemals Ihre Hand auf die Reaktionsstange.
- e) Prüfen Sie, ob die Aufhängelasche fest an der Ausgleichsvorrichtung befestigt ist.

Werkzeuge mit integriertem Barcode-Scanner

Laserprodukt Klasse 2



Laserscanner der Klasse 2 verwenden eine Laserdiode, die einen sichtbaren Niederleistungslichtstrahl vergleichbar mit einer sehr hellen Lichtquelle, wie z. B. der Sonne, erzeugt.

Anderenfalls könnte dies zu Augenschäden führen.

- a) Blicken Sie nicht in den Laserstrahl.
- b) Beheben Sie Fehler an den optischen Bauteilen sofort.
- c) Veränderungen am Barcode-Scanner sind verboten.
- d) Nehmen Sie defekte Werkzeuge sofort außer Betrieb.

### 3 Einsatz und Handhabung eines tragbaren Elektroschraubers

- a) Verwenden Sie nur Schraubeinsätze für maschinenbetätigte Schraubwerkzeuge.
- b) Achten Sie auf einen sicheren Halt der Schraubeinsätze.
- c) Befestigen Sie Schraubeinsätze niemals Schräg am Schraubkopf.
- d) Reinigen Sie das Werkzeug niemals mit einem Hochdruckreiniger.
- e) Tauchen Sie das Werkzeug nicht in Reinigungsmittel ein.

### 4 Bestimmungsgemäßer Gebrauch

Dieses Produkt ist ein Teil des APEX-Verschraubungssystems und wurde ausschließlich zum Anziehen und Lösen von Schraubbefestigungselementen konzipiert.

→ Nur in Verbindung mit der Steuerung Serie mPro400GC sowie Zubehör und einem Werkzeugkabel von der Apex Tool Group verwenden.

→ Nicht als Hammer oder zum Zurückbiegen verwenden.

→ Nicht öffnen oder konstruktionstechnisch verändern.

→ Nicht in explosionsgefährdeten Bereichen verwenden.

### 5 Umgebungsbedingungen

Funktion	Temperatur	Relative Feuchtigkeit	Arbeitshöhe
Transport/Lagerung	-25 °C bis +70 °C (-13 °F bis +158 °F)	0...90 % nicht kondensierend	bis zu 3000 m (9800 ft.) über NN
Betrieb	0 °C bis +45 °C (+32 °F bis +113 °F)		

## 5 Service

- a) **Lassen Sie Ihr Elektrowerkzeug stets von ausreichend qualifizierten<sup>1)</sup> Technikern reparieren, und sorgen Sie dafür, dass hierbei Originalersatzteile verwendet werden.** So stellen Sie einen hohen Sicherheitsstandard für Ihr Elektrowerkzeug sicher.

## Spezielle Sicherheitsanweisungen für den tragbaren Elektroschrauber

### 1 Elektrische Sicherheit

- a) Stellen Sie sicher, dass die Schutzleiterverbindung (PE) eine Niederspannungsquelle hat.
- b) Verwenden Sie bei Kabellängen über 20 m einen Netztrafo. Max. 50 m.

### 2 Personensicherheit

- a) Serie 18ET/EC, 48ET/EC: Durch versehentliches Drücken der Starttaste kann sich das Bohrfutter (Bithalter) im Abtrieb drehen (z. B. beim Ablegen des Werkzeugs). Dadurch können Finger gequetscht oder sogar abgetrennt werden. Stecken Sie niemals Ihre Finger in das Bohrfutter. Trennen Sie bei einem Bitwechsel zuerst das Werkzeugkabel.

1. Ausreichend qualifiziertes Personal ist aufgrund seiner Berufsausbildung, seines Wissens, seiner Erfahrung und seines Verständnisses der mit dieser Arbeit verbundenen Umstände in der Lage, mögliche Gefahren zu erkennen und entsprechende Sicherheitsvorkehrungen zu treffen. Qualifiziertes Personal ist verpflichtet, alle Vorschriften einzuhalten, d. h. die Regeln zu befolgen.

## 2 Lieferumfang, Transport/Lagerung

### Lieferumfang

Prüfen Sie das Produkt auf Transportschäden, und stellen Sie sicher, dass alle Teile angekommen sind:

- Korrektes Produkt
- Bedienungsanleitung
- Konformitätserklärung

### Transport/Lagerung

Transportieren oder lagern Sie das Gerät in der Originalverpackung. Trennen Sie das Gerät während der Aufbewahrung vom Stromnetz. Die Verpackung ist wiederverwertbar. Beachten Sie die in den Sicherheitsanweisungen aufgeführten Umgebungsbedingungen.

## 3 Produktbeschreibung

### Kabelgebundene Schrauber

- Trägheitsarmer bürstenloser Motor mit Resolver. Abschaltung erfolgt drehmoment-/winkelgesteuert.
- Integrierter Vorverstärker einschließlich Service-Speicher. Automatische Werkzeugerkennung bei Verbindung mit einer Steuerung.
- LED-Display liefert Informationen zum aktuellen Schraubergebnis.
- Drehrichtung im Uhrzeigersinn/gegen den Uhrzeigersinn
- Befestigungsparameter werden durch die Steuerung vorgegeben.
- Stromversorgung und Datenübertragung zwischen Steuerung und Werkzeug über das Werkzeugkabel.



Kabelgebundene Schrauber	
Ref.	Beschreibung
1	Netzanschluss
2	Startknopf
3	Umschaltmechanismus
4	LED-Leuchtring
5	Baugruppe Motor
6	Getriebe
7	Anbauwerkzeug

## LED-Ringleuchtanzeige

LED	Beschreibung
Durchgängig grün leuchtend	IO
Durchgängig rot leuchtend	NIO
Gelb	Aktiviert

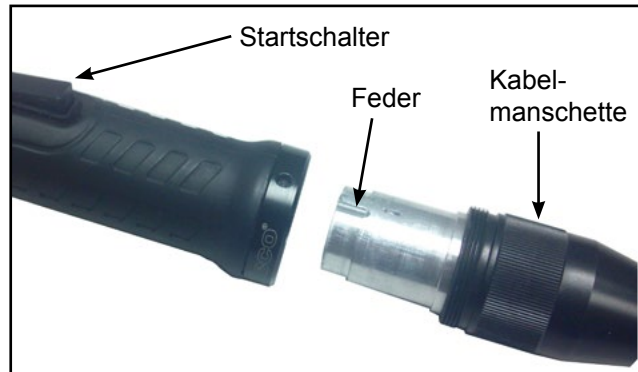
## 4 Vor der erstmaligen Inbetriebnahme

### Stromversorgung

Die Stromversorgung des Schraubers erfolgt über die Vernetzung mit einer Werkzeugsteuerung.

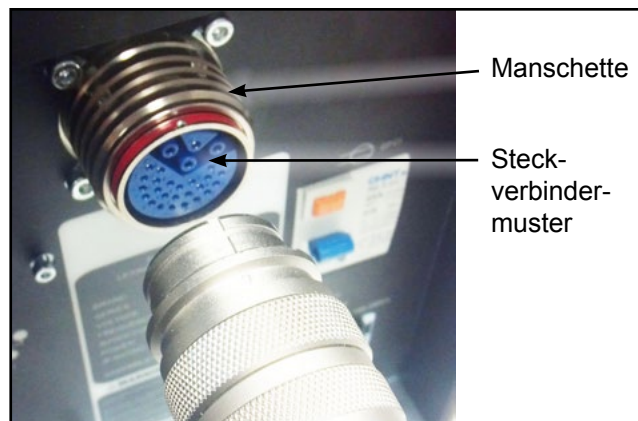
### Kabelverbindung mit dem Werkzeug

Stecken Sie das Werkzeuganschlusende des Kabels in den Griff des Schraubers. Richten Sie die Feder des Kabelsteckverbinders auf den Schalter am Werkzeuggriff aus. Auf diese Weise kann die Feder in die passende Nut im Griff hineingeschoben werden. Schrauben Sie die Kabelmanschette auf den Griff des Werkzeugs, und ziehen Sie sie gut fest.



### Kabelverbindung mit der Steuerung

Verbinden Sie das andere Ende des Kabels mit dem Werkzeugsteckverbinder der Steuerung. Stellen Sie sicher, dass die Manschette am Werkzeugsteckverbinder der Steuerung zur Steuerung hin hineingedrückt wird. Richten Sie die Muster am Werkzeugkabel und am Steckverbinder der Steuerung aufeinander aus. Stecken Sie den Kabelstecker in den Steckverbinder der Steuerung, und ziehen Sie die Manschette zum Kabel hin, um den Kabelsteckverbinder zu fixieren.



## Globale Steuerung mPro400GC-I

### Werkzeugkabel

Serie 48EAE	Kabellänge		DE Beschreibung
	Fuß	Meter	
<b>Kabel außerhalb der Europäischen Union – Air-LB-Steckverbinder</b>			
301866-XXX *	3 - 49	1 - 15	Werkzeugkabel (1)
301904-XXX *	3 - 49	1 - 15	Flexdrehkabel: gerade (1)
301903-XXX *	3 - 49	1 - 15	Flexdrehkabel: rechteckig (1)
301877-XXX	3 - 66	1 - 20	Verlängerungskabel
<b>Kabel innerhalb der Europäischen Union – Air-LB-Steckverbinder</b>			
961259-XXX **	3 - 66	1 - 20	Werkzeugkabel (1)
961250-XXX **	3 - 66	1 - 20	Werkzeugkabel (2)
961251-XXX **	3 - 66	1 - 20	Flexdrehkabel: gerade (2)
961252-XXX **	3 - 66	1 - 20	Flexdrehkabel: rechteckig (2)
961249-XXX **	3 - 66	1 - 20	Verlängerungskabel

\* Hinweis: 1 m und 2 m (3 ft. und 6 ft.) lange Kabel müssen mit Verlängerungskabel 301877 verwendet werden.

\*\* Hinweis: 20 m Länge erfordert keinen Trafo.

(1) Standard-Lebensdauer

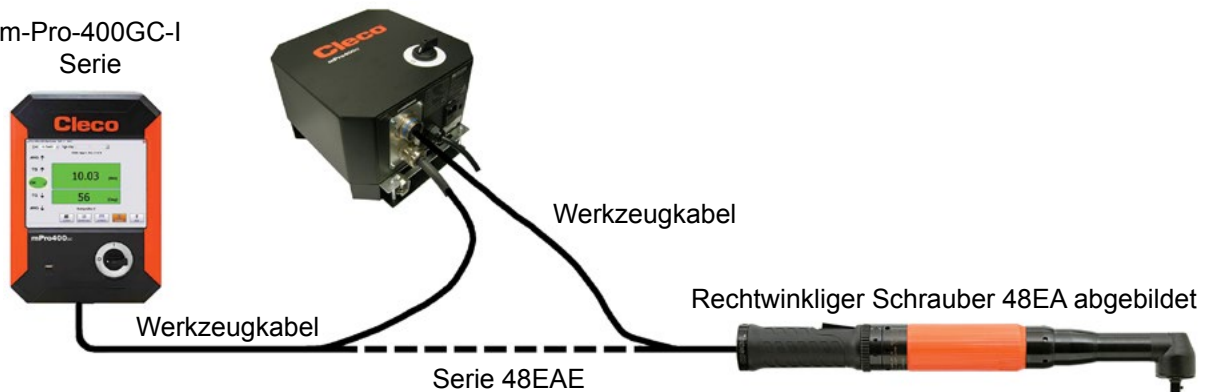
(2) Lange Lebensdauer

Serie 48EA	Kabellänge		DE Beschreibung
	Fuß	Meter	
<b>Kabel außerhalb der Europäischen Union – Matrix-Steckverbinder</b>			
542778-XXX *	3 - 49	1 - 15	Werkzeugkabel (1)
544056-XXX *	3 - 49	1 - 15	Flexdrehkabel: gerade (1)
544055-XXX *	3 - 49	1 - 15	Flexdrehkabel: rechteckig (1)
542779-XXX	3 - 66	1 - 20	Verlängerungskabel
<b>Kabel innerhalb der Europäischen Union – Matrix-Steckverbinder</b>			
-----	-----	-----	-----
-----	-----	-----	-----
-----	-----	-----	-----
-----	-----	-----	-----
-----	-----	-----	-----
-----	-----	-----	-----

\* Hinweis: 1 m und 2 m (3 ft. und 6 ft.) lange Kabel müssen mit Verlängerungskabel 542779 verwendet werden.

(1) Standard-Lebensdauer

m-Pro-400GC-I  
Serie



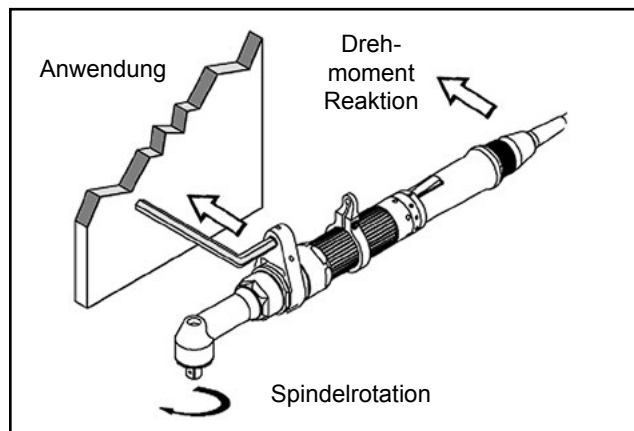
## 5 Erste Inbetriebnahme

### Inbetriebnahme

**WARNUNG** Gefahr von Quetschungen an den Händen.



→ Verwenden Sie bei der Arbeit an engen Orten oder mit hohem Drehmoment immer eine Drehmoment-Reaktionsstange: gerade Werkzeuge (4 Nm), Werkzeuge mit Pistolengriff (10 Nm), rechteckige Werkzeuge (60 Nm).



### Verschrauben eines Befestigungselements

Die Schraube der Serie 48E wurden von der Apex Tool Group konfiguriert. Einstellungen für spezielle Schraubbefestigungen dürfen nur über die Schraubersteuerung und von qualifiziertem Personal<sup>1</sup> durchgeführt werden. Der anfängliche Betrieb kann je nach Typ und Programmierung der Schraubersteuerung abweichen. Beachten Sie die Programmieranleitung für die Schraubersteuerung.

- Achten Sie darauf, dass das Werkzeugkabel fest mit dem Werkzeug und der Steuerung verbunden ist.
- Achten Sie darauf, dass die Steuerung eingeschaltet und ordnungsgemäß programmiert ist (siehe Anleitung der Steuerung).
- Achten Sie darauf, dass sich der Mechanismus zur Richtungsumschaltung in der richtigen Position befindet.
- Setzen Sie den Steckschlüsseinsatz oder den Bit an der Anwendung an, und drücken Sie den Startschalter, um den Verschraubungsvorgang zu starten.
- Wenn sich der Schrauber abschaltet, lassen Sie den Startschalter los.
- Ziehen Sie den Schrauber von der Anwendung ab.

1. Qualifiziertes Personal ist aufgrund von Berufsausbildung, Kenntnisse, Erfahrung und Verständnis der Umstände der durchzuführenden Arbeiten dazu in der Lage, mögliche Gefahren zu erkennen und angemessene Sicherheitsmaßnahmen einzuleiten. Qualifiziertes Personal muss die Regeln befolgen.

## Wartung

Führen Sie ein umfassendes Sicherheitswartungsprogramm ein, um eine regelmäßige Inspektion aller Phasen des Werkzeugbetriebs und der Luftzufuhrrüstung sicherzustellen.

Täglich:

- Sichtprüfung aller Kabel und Anschlüsse
- Sichtprüfung aller äußeren Werkzeugbauteile
- Kontrolle des Werkzeugs auf übermäßige Vibrationen oder ungewöhnliche Geräusche

Nach rund 100.000 Verschraubungen:

- Werkzeugkabel auf Schäden oder Verschleiß überprüfen
- Werkzeugkabelanschluss auf sicheren Sitz überprüfen
- Abtriebsspindel auf Schäden oder Verschleiß überprüfen
- Maximale Leerlaufdrehzahl prüfen

Nach rund 500.000 Verschraubungen:

- Werkzeug zerlegen und alle Teile auf Schäden oder Verschleiß kontrollieren und ggf. ersetzen
- Winkelkopf, Getriebe und Motorlagerungen reinigen und schmieren
- Falls vorhanden: Messwertaufnehmer recalibrieren

Nach rund 1.000.000 Verschraubungen:

- Werkzeug zerlegen und alle Teile auf Schäden oder Verschleiß kontrollieren und ggf. ersetzen
- Winkelkopf, Getriebe und Motorlagerungen reinigen und schmieren
- Falls vorhanden: Messwertaufnehmer recalibrieren

## Schmiermittel

Die Schmierhäufigkeit hängt von den Einsatzbedingungen des Montagewerkzeugs ab. Bei jedem Wartungsintervall sollte das Getriebe mit einer ausreichenden Menge Öl geschmiert werden.

Teilenr.	Gepackt	Fett
540395	2 oz. (0,06 kg)	Magnalube-G
513156	16 oz. (0,45 kg)	Magnalube-G
541444	2 oz. (0,06 kg)	Rheolube 363AX-1
541445	16 oz. (0,45 kg)	Rheolube 363AX-1

## 6 Fehlersuche

Fehlfunktion	Mögliche Ursachen	Abhilfe
Werkzeug startet nicht	Startschalter	→ Startschalter austauschen
	Keine Drehzahl (U/min) programmiert	→ Drehzahl für alle aktiven Stufen programmieren
	Steuerung wartet auf Werkzeugfreigabe	→ Eingang <i>Freigabe</i> aktivieren oder, falls nicht benötigt, <i>Freigabe</i> deaktivieren
	Fehlerhaftes Kabel	→ Kabel reparieren oder ersetzen
	Verbogene Stifte in Kabel oder Werkzeug	→ Kontaktstifte gerade biegen oder fehlerhafte Verbindung austauschen
	Daten für automatische Erkennung nach Werkzeugwechsel nicht erkannt	→ <i>Data</i> erneut akzeptieren (Wkz Einstell.)
Kein akustisches Signal nach Verbindung des Werkzeugkabels	Software nicht korrekt	→ Software von Steuerung/Messplatine prüfen
	Kabel defekt	→ Kabel ersetzen
	Werkzeug defekt	→ Werkzeug wechseln
Werkzeug startet nicht bei Drehrichtung gegen den Uhrzeigersinn	Für die Drehrichtung gegen den Uhrzeigersinn ist der Drehzahlparameter auf 0 U/min gesetzt.	→ Drehzahl für Drehrichtung gegen den Uhrzeigersinn programmieren
Werkzeug startet in Anzugsrichtung, aber nicht gegen den Uhrzeigersinn	Keine Drehzahl für Drehrichtung gegen den Uhrzeigersinn programmiert	→ Drehzahl für Drehrichtung gegen den Uhrzeigersinn programmieren
	Fehlerhafter Umkehrschalter	→ Baugruppe Start-/Rückwärtsschalter austauschen
	Fehlerhaftes Kabel	→ Kabel reparieren oder ersetzen
	Verbogene Stifte in Kabel oder Werkzeug	→ Kontaktstifte gerade biegen oder fehlerhafte Verbindung austauschen
Werkzeug schaltet bei gewünschtem Drehmoment ab, jedoch ohne Winkelanzeige	Schwellenmoment zu hoch	→ Anzugssequenz korrigieren oder Schwellenmoment reduzieren
Werkzeug schaltet vorzeitig ab	Bediener lässt Startschalter los, bevor die Steuerung das Werkzeug abschaltet	→ Sicherstellen, dass der Bediener den Startschalter die gesamte Sequenz über gedrückt hält.
	Die Überwachungszeit überschreitet die Standardzeit um 10 Sekunden.	→ Überwachungszeit verlängern
	Werkzeug überschreitet den Winkelsollwert	→ Anzugssequenz prüfen, um sicherstellen, dass der Drehmoment-Abschaltwert und/oder der Winkelsollwert korrekt sind. Nach Bedarf anpassen. Prüfen, ob sich die festzuziehende Verbindung maßgeblich verändert hat.
Werkzeug verändert die Drehzahl nicht	Drehzahl ist auf allen Stufen gleich	→ Sicherstellen, dass die Drehzahl und der Schaltwinkel auf allen Stufen korrekt sind.
LEDs am Werkzeug beginnen zu blinken, wenn der Rückwärtsschalter betätigt wird	Dies ist eine normale Funktion, die in den Standardparametern definiert ist.	→ Das Kontrollkästchen <i>Blinken der LEDs im Linkslauf</i> aktivieren oder deaktivieren
Warnung auf der PROZESSANZEIGE: <i>Offset Aufnehmer 1/2 NIO</i>	Der Aufnehmer gibt keinen Drehmoment Istwert von null aus.	→ Aufnehmer wurde überlastet und muss ersetzt werden
	Fehlerhafte Verkabelung im Werkzeug oder Kabel	→ Werkzeug mit einem anderen Kabel prüfen. Die Offset- und Kalibrierungswerte können im Menü <i>Diagnose</i> geprüft werden.
Warnung in PROZESSANZEIGE: <i>Werkzeug offline!</i>	Werkzeug wurde in <i>Wkz Einstell.</i> nicht akzeptiert	→ Das Menü <i>Werkzeugliste</i> prüfen, um sicherzustellen, dass das Werkzeug akzeptiert wurde. Wenn es nicht akzeptiert wurde, steht der Status auf <i>Akzeptieren manuell erforderlich</i> . Die korrekte Zeile muss markiert sein, bevor die Einstellung im Menü <i>Wkz Einstell.</i> akzeptiert werden kann.
	Ein defektes Kabel verhindert die Erkennung des Werkzeugs durch die Schraubersteuerung.	→ Kabel reparieren oder ersetzen
Unterschiedliche Drehmomentanzeige in der Steuerung und am externen Aufnehmer	Drehmoment-Kalibrierfaktor (Moment Kal.) in <i>Wkz Einstell.</i> muss angepasst werden.	→ Moment Kal. ( <i>Wkz Einstell.</i> ) mit den folgenden Formeln anpassen: Neuer Kalibrierwert = (externer Wert / Werkzeugwert) x verwendeter Kalibrierwert
	Winkel-Anbauwerkzeug vom Kunden wurde am Werkzeug angebracht. Werkzeugspeicher muss aktualisiert werden.	→ Werkzeugspeicher neu programmieren
Werkzeugkabel passt nicht in Werkzeuggriff	Falsches Kabel. Verwendetes Werkzeug mit Schraubersteuerung mPro400GC verwendet einen Air-LB-Steckverbinder. Steckverbinder hat andere Größe als der zuvor verwendete Matrix-Steckverbinder.	→ Richtiges Kabel für das verwendete Werkzeug nutzen.



## 7.1 Leistungsdaten Serie 48E

### Schrauber Serie 48E mit Stromsteuerung - Air-LB-Werkzeugsteckverbinder \*

Modellnummer	Werkzeubereich				Max. Drehzahl [U/min]	Länge		Gewicht		Höhe des Kopfstücks		Seite bis Mitte		Größe Antrieb
	Max. Drehmoment		Min. Drehmoment			Zoll	mm	lbs	kg	Zoll	mm	Zoll	mm	
	lb <sub>r</sub> ×ft	Nm	lb <sub>r</sub> ×ft	Nm										
<b>Rechtwinkliger Schrauber Serie 48EA **</b>														
48EAE15AL3	11.1	15	2.2	3	2855	15.7	398	3.8	1.7	1.6	41	0.59	15	3/8"
48EAE28AL3	20.7	28	4.4	6	1300	16.2	410	4.1	1.9	1.6	41	0.59	15	3/8"
48EAE41AM3	30.2	41	6.6	9	1090	17.3	440	4.3	2.0	1.9	48	0.75	19	3/8"
48EAE58AM3	42.8	58	8.9	12	770	17.3	440	4.3	2.0	1.9	48	0.75	19	3/8"
48EAE58AM4	42.8	58	8.9	12	770	17.3	440	4.3	2.0	1.9	48	0.75	19	1/2"
48EAE90AH4	64.2	87	13.3	18	515	18.5	470	6.6	3.0	2.3	58	0.81	21	1/2"
48EAE105AH4	76.7	104	15.5	21	340	18.5	470	6.6	3.0	2.3	58	0.81	21	1/2"
48EAE135MH4	98.1	133	19.9	27	265	19.1	485	7.3	3.3	2.4	61	0.94	24	1/2"
48EAE175AX6	129.8	176	26.6	36	190	21.6	549	10.2	4.6	2.7	69	1.06	27	3/4"
48EAE230AX6	169.6	230	33.9	46	145	21.6	549	10.2	4.6	2.7	69	1.06	27	3/4"
<b>Rechtwinkliger Schrauber mit schwimmend gelagerter Spindel Serie 48EA</b>														
48EAE37S231	27.2	37	5.9	8	1225	18.7	474	5.4	2.4	2.7	69	0.67	17	3/8"
48EAE52S231	38.3	52	8.1	11	860	18.7	474	5.4	2.4	2.7	69	0.67	17	3/8"
48EAE53S341	39.1	53	8.1	11	850	20.0	509	6.0	2.7	3.3	83	0.87	22	1/2"
48EAE75S341	55.3	75	11.0	15	600	20.0	509	6.0	2.7	3.3	83	0.87	22	1/2"
48EAE95S341	70.0	95	14.7	20	460	20.5	521	7.4	3.4	3.3	83	0.87	22	1/2"
48EAE110S341	81.1	110	16.9	23	400	20.5	521	7.4	3.4	3.3	83	0.87	22	1/2"
48EAE135S461	99.5	135	20.6	28	270	20.6	522	8.9	4.0	3.7	94	1.06	27	3/4"
48EAE230S461	169.6	230	34.6	47	150	22.2	563	10.6	4.8	3.7	94	1.06	27	3/4"
<b>Rechtwinkliger Flush-Socket-Schrauber Serie 48EA</b>														
48EAE37F2	27.3	37	5.9	8	1225	18.7	474	5.4	2.4	1.7	43	0.67	17	----
48EAE52F2	38.3	52	8.1	11	860	18.7	474	5.4	2.4	1.7	43	0.67	17	----
48EAE53F3	39.0	53	8.1	11	850	20.0	509	6.0	2.7	2.3	59	0.87	22	----
48EAE75F3	55.3	75	11.1	15	600	20.0	509	6.0	2.7	2.3	59	0.87	22	----
48EAE110F3	81.1	110	17.0	23	400	20.5	521	7.4	3.4	2.3	59	0.87	22	----
48EAE135F4	99.5	135	19.9	27	270	20.6	522	8.9	4.0	2.4	61	1.06	27	----
48EAE230F4	172.6	230	34.7	47	150	22.2	563	10.6	4.8	2.4	61	1.06	27	----
<b>Rechtwinkliger Schrauber Serie 48EA</b>														
48EAE53H	39.8	54	8.1	11	850	20.2	512	7.9	3.6	2.4	61	1.06	27	----
48EAE75H	56.8	77	11.1	15	600	20.2	512	7.9	3.6	2.4	61	1.06	27	----
48EAE110H	85.6	115	17.0	23	400	20.2	512	8.9	4.0	2.4	61	1.06	27	----
48EAE135H	101.8	135	20.7	28	270	20.6	522	8.9	4.0	2.4	61	1.06	27	----
48EAE230H	169.6	230	34.7	47	150	22.2	563	10.6	4.8	2.4	61	1.06	27	----
<b>Gerader Schrauber Serie 48EC</b>														
48ECE30C1	22.1	30	7.7	10	860	20.5	521	5.5	2.3	1.7	43	0.63	16	----
48ECE30C3	22.1	30	7.7	10	860	20.5	521	5.5	2.3	1.6	40	0.63	16	----
<b>Schrauber Serie 48EP mit Pistolengriff **</b>														
48EPE12Q	8.9	12	2.2	3	4000	8.3	211	2.7	1.2	----	----	0.84	21	1/4" Hex
48EPE12D2	8.9	12	2.2	3	4000	7.7	196	2.7	1.2	----	----	0.84	21	1/4"
48EPE25D3	18.4	25	4.4	6	1820	8.4	213	2.9	1.3	----	----	0.84	21	3/8"
48EPE36D3	26.6	36	5.9	8	1290	8.4	213	2.9	1.3	----	----	0.84	21	3/8"
48EPE48D3	35.4	48	7.4	10	985	8.6	218	3.0	1.4	----	----	0.84	21	3/8"
48EPE65D4	47.9	65	9.6	13	750	10.8	274	5.0	2.3	----	----	0.91	23	1/2"
48EPE90D4	66.4	90	14.0	19	510	11.3	287	5.3	2.4	----	----	0.91	23	1/2"
48EPE125D4	92.2	125	19.2	26	360	11.3	287	5.3	2.4	----	----	0.91	23	1/2"
48EPE150D4	110.6	150	22.9	31	240	11.3	287	5.3	2.4	----	----	0.91	23	1/2"
48EPE200D6	144.0	195	92.0	125	180	16.2	410	9.5	4.3	----	----	1.13	29	3/4"
48EPE500D6	368.0	500	225.0	300	53	16.2	410	9.8	4.5	----	----	1.13	29	3/4"
48EPE1000D8	740.0	1000	370.0	500	33	19.2	486	16.2	7.3	----	----	1.50	38	1"

\* Hinweis: Matrix-Werkzeugsteckverbinder - spezifikationen sind identisch.

\*\* Hinweis: Modelle mit Stifthalter abgebildet. Die Spezifikationen der Modelle mit Kugelhalter (Anschluss B) sind identisch.



## 7.1 Leistungsdaten Serie 48E (fortgesetzt)

### Schrauber Serie 48E mit Stromsteuerung - Air-LB-Werkzeugsteckverbinder \*

Modellnummer	Werkzeubereich				Max. Drehzahl [U/min]	Länge		Gewicht		Höhe des Kopfstücks		Seite bis Mitte		Größe Antrieb
	Max. Drehmoment		Min. Drehmoment			Zoll	mm	lbs	kg	Zoll	mm	Zoll	mm	
	lb <sub>r</sub> ×ft	Nm	lb <sub>r</sub> ×ft	Nm										
<b>Gerader Schrauber Serie 48ES **</b>														
48ESE12Q	8.9	12	2.2	3	4000	13.5	343	3.0	1.4	---	---	0.91	23	1/4" Hex
48ESE12D2	8.9	12	2.2	3	4000	13.0	330	3.0	1.4	---	---	0.91	23	1/4"
48ESE25D3	18.4	25	4.4	6	1820	13.6	345	3.2	1.5	---	---	0.91	23	3/8"
48ESE36D3	26.6	36	5.9	8	1290	13.6	345	3.2	1.5	---	---	0.91	23	3/8"
48ESE48D3	35.4	48	7.4	10	985	13.8	351	3.3	1.5	---	---	0.91	23	3/8"
48ESE65D4	47.9	65	9.6	13	750	16.6	420	5.3	2.4	---	---	1.13	29	1/2"
48ESE90D4	66.4	90	14.0	19	510	17.1	435	5.6	2.5	---	---	1.13	29	1/2"
48ESE125D4	92.2	125	19.2	26	360	17.1	435	5.6	2.5	---	---	1.13	29	1/2"
48ESE150D4	110.6	150	22.9	31	240	17.1	435	5.6	2.5	---	---	1.13	29	1/2"
<b>Gerader Schrauber Serie 48ES mit schwimmend gelagerter Spindel</b>														
48ESE12ZA	8.9	12	2.2	3	4000	16.7	425	3.4	1.5	---	---	0.91	23	1/4"
48ESE271ZB	19.9	27	5.9	8	1820	22.0	559	5.8	2.6	---	---	0.92	23	3/8"
48ESE361ZB	26.6	36	5.2	7	1290	22.0	559	5.8	2.6	---	---	0.92	23	3/8"
48ESE602ZB	42.0	57	8.1	11	855	24.4	620	8.4	3.8	---	---	1.10	28	1/2"
48ESE702ZB	50.2	68	10.3	14	570	24.4	620	8.4	3.8	---	---	1.10	28	1/2"
48ESE802ZB	60.5	82	12.5	17	450	26.7	678	9.6	4.4	---	---	1.10	28	1/2"
48ESE1152ZB	84.8	115	18.4	25	320	26.7	678	9.6	4.4	---	---	1.10	28	1/2"
48ESE1502ZB	110.6	150	22.9	31	245	26.7	678	9.6	4.4	---	---	1.10	28	1/2"
48ESE1653ZB	121.7	165	24.3	33	220	28.6	726	14.6	6.6	---	---	1.57	40	3/4"
48ESE2503ZB	182.9	548	36.8	50	145	28.6	726	14.6	6.6	---	---	1.57	40	3/4"
<b>Gerader Schrauber Serie 48ET</b>														
48ETE20T2	14.8	20	7.4	10	1425	16.9	430	4.4	2.0	---	---	0.78	20	1/2"
48ETE30T3	22.1	30	11.1	15	1030	16.6	422	4.5	2.0	---	---	0.83	21	3/4"
48ETE40T4	29.5	40	14.8	20	770	17.9	454	5.3	2.3	---	---	1.18	30	1-1/16"

\* Hinweis: Matrix-Werkzeugsteckverbinder - spezifikationen sind identisch.

\*\* Hinweis: Modelle mit Stifthalter abgebildet. Die Spezifikationen der Modelle mit Kugelhalter (Anschluss B) sind identisch.

## 7.2 Werkzeugspeicher Serie 48E

### Schrauber Serie 48E mit Stromsteuerung - Air-LB-Werkzeugsteckverbinder \*

Modellnummer	Max. Drehzahl [U/min]	Max. Drehmoment [Nm]	Drehmoment-Kalibrierung [Nm]	Messaufnehmer	Winkelkalibrierung [PPD]	Nominaler statischer Stromfaktor [Nm/A]
<b>Rechtwinkliger Schrauber Serie 48EA **</b>						
48EAE15AL3	2855	15	17.9794	542846-12	29.8662	0.6929
48EAE28AL3	1300	28	42.8072	542846-31	65.6023	1.4458
48EAE41AM3	1090	41	50.9609	542846-31	78.0980	1.7212
48EAE58AM3	770	58	77.2838	542846-48	110.2015	2.4287
48EAE58AM4	770	58	77.2838	542846-48	110.2015	2.4287
48EAE90AH4	515	87	158.3540	542846-100	165.6771	3.6514
48EAE105AH4	340	104	156.6510	542846-100	248.0254	5.4662
48EAE135MH4	265	133	199.7300	542846-100	316.2324	6.9694
48EAE175AX6	190	176	231.2227	542846-40	441.5931	9.2456
48EAE230AX6	145	230	228.7037	542846-40	575.9910	12.0595
<b>Rechtwinkliger Schrauber mit schwimmend gelagerter Spindel Serie 48EA</b>						
48EAE37S231	1225	37	45.8648	542846-31	70.2893	1.5491
48EAE52S231	860	52	69.5554	542846-48	99.1829	2.1859
48EAE53S341	850	53	65.5212	542846-31	100.4132	2.2130
48EAE75S341	600	75	99.3649	542846-48	141.6898	3.1226
48EAE95S341	460	95	98.2031	542846-48	185.5462	4.0892
48EAE110S341	400	110	203.5980	542846-100	213.0167	4.6946
48EAE135S461	270	135	201.4084	542846-100	318.8948	7.0280
48EAE230S461	150	230	297.2863	542846-40	567.7714	11.8873
<b>Rechtwinkliger Flush-Socket-Schrauber Serie 48EA</b>						
48EAE37F2	1225	37	45.8648	542846-31	70.2893	1.5491
48EAE52F2	860	52	69.5554	542846-48	99.1829	2.1859
48EAE53F3	850	53	65.5212	542846-31	100.4132	2.2130
48EAE75F3	600	75	99.3649	542846-48	141.6898	3.1226
48EAE110F3	400	110	203.5980	542846-100	213.0167	4.6946
48EAE135F4	270	135	201.4084	542846-100	318.8948	7.0280
48EAE230F4	150	230	297.2863	542846-40	567.7714	11.8873
<b>Rechtwinkliger Schrauber Serie 48EA</b>						
48EAE53H	850	54	65.5212	542846-31	100.4132	2.2130
48EAE75H	600	77	99.3649	542846-48	141.6898	3.1226
48EAE110H	400	115	203.5980	542846-100	213.0167	4.6946
48EAE135H	270	135	201.4084	542846-100	318.8948	7.0280
48EAE230H	150	230	297.2863	542846-40	567.7714	11.8873
<b>Gerader Schrauber Serie 48EC</b>						
48ECE30C1	860	30	49.1424	542846-48	99.1829	1.5444
48ECE30C3	860	30	49.1424	542846-48	99.1829	1.5444
<b>Schrauber Serie 48EP mit Pistolengriff **</b>						
48EPE12Q	4000	12	13.9592	542846-12	21.3330	0.5379
48EPE12D2	4000	12	13.9592	542846-12	21.3330	0.5379
48EPE25D3	1820	25	33.2354	542846-31	46.8588	1.1225
48EPE36D3	1290	36	37.8018	542846-36	66.1209	1.5840
48EPE48D3	985	48	49.8132	542846-48	86.5869	2.0742
48EPE65D4	750	65	70.3865	542846-12	113.2308	2.7124
48EPE90D4	510	90	111.9428	542846-31	166.1383	3.7809
48EPE125D4	360	125	127.3235	542846-36	234.4323	5.3350
48EPE150D4	240	150	190.6085	542846-36	350.9548	7.9868
48EPE200D6	178	200	282.9741	542846.12	479.1795	10.9048
48EPE500D6	53	500	903.0329	542846-12	1609.6500	34.7997
48EPE1000D8	33	1000	1449.6660	542846-12	2584.0198	55.8650

\* Hinweis: Matrix-Werkzeugsteckverbinder - spezifikationen sind identisch.

\*\* Hinweis: Modelle mit Stifthalter abgebildet. Die Spezifikationen der Modelle mit Kugelhalter (Anschluss B) sind identisch.

## 7.2 Werkzeugspeicher Serie 48E (fortgesetzt)

### Schrauber Serie 48E mit Stromsteuerung - Air-LB-Werkzeugsteckverbinder \*

Modellnummer	Max. Drehzahl [U/min]	Max. Drehmoment [Nm]	Drehmoment-Kalibrierung [Nm]	Messaufnehmer	Winkelkalibrierung [PPD]	Nominale statischer Stromfaktor [Nm/A]
<b>Gerader Schrauber Serie 48ES **</b>						
48ESE12Q	4000	12	13.9592	542846-12	21.3330	0.5379
48ESE12D2	4000	12	13.9592	542846-12	21.3330	0.5379
48ESE25D3	1820	25	33.2354	542846-31	46.8588	1.1225
48ESE36D3	1290	36	37.8018	542846-36	66.1209	1.5840
48ESE48D3	985	48	49.8132	542846-48	86.5869	2.0742
48ESE65D4	750	65	70.3865	542846-12	113.2308	2.7124
48ESE90D4	510	90	111.9428	542846-31	166.1383	3.7809
48ESE125D4	360	125	127.3235	542846-36	234.4323	5.3350
48ESE150D4	240	150	190.6085	542846-36	350.9548	7.9868
<b>Gerader Schrauber Serie 48ES mit schwimmend gelagerter Spindel</b>						
48ESE12ZA	4000	12	13.9592	542846-12	21.3333	0.5379
48ESE271ZB	1820	27	33.2354	542846-31	46.8595	1.1225
48ESE361ZB	1290	36	37.8018	542846-36	66.1219	1.5840
48ESE602ZB	855	57	103.2743	542846-100	99.4078	2.3813
48ESE702ZB	570	68	102.1637	542846-100	148.8176	3.5649
48ESE802ZB	450	82	153.7513	542846-40	188.3146	4.2855
48ESE1152ZB	320	115	150.7974	542846-40	264.9600	6.0298
48ESE1502ZB	245	150	149.1546	542846-40	345.6000	7.8649
48ESE1653ZB	220	165	376.0907	542846-100	381.0632	8.6720
48ESE2503ZB	145	548	372.0461	542846-100	570.4674	12.9823
<b>Gerader Schrauber Serie 48ET</b>						
48ETE20T2	1425	20	35.9914	542846-17	59.7333	0.9790
48ETE30T3	1030	30	49.8343	542846-17	82.7077	1.3556
48ETE40T4	770	40	66.4457	542846-17	110.2769	1.8075

\* Hinweis: Matrix-Werkzeugsteckverbinder - spezifikationen sind identisch.

\*\* Hinweis: Modelle mit Stifthalter abgebildet. Die Spezifikationen der Modelle mit Kugelhalter (Anschluss B) sind identisch.

## À propos du présent manuel d'utilisation

La langue d'origine de ce manuel est l'anglais. Le présent manuel d'utilisation est destiné à toutes les personnes qui vont utiliser et entretenir ce matériel.

Le présent manuel d'utilisation est conçu pour :

- fournir des recommandations importantes relatives à la sécurité et à la manipulation de la visseuse.
- Décrire la fonction et l'opération du matériel.
- Servir de document de référence pour les caractéristiques techniques, les intervalles de maintenance et les commandes de pièces de rechange.
- Fournir des informations concernant les options d'équipement.

### Symboles utilisés dans le texte :

- Indique les instructions à suivre.
- Identifie une liste à puces.
- <.> Indique une référence sur des éclatés.

**Gras** Indique une caractéristique ou une instruction importante.

OK OK (acceptable)

NOK NOK (pas acceptable)

### Graphique d'identification :

- Indique un mouvement de direction.
- ⇓ Indique une fonction ou une force.

### Protection du copyright :

Apex Tool Group, LLC se réserve le droit d'apporter des modifications, des ajouts ou des améliorations au présent document ou au présent produit, sans préavis. Le présent document ne peut être reproduit, en tout ou en partie, sous quelque forme et par quelque procédé que ce soit, ni copié dans tout autre langage naturel ou assimilable par une machine, ni sur quelque support de données, qu'il soit électronique, mécanique, optique ou autre, sans le consentement exprès d'Apex Tool Group, LLC.

## 1 Sécurité

### Avertissements et remarques

Les avertissements sont identifiés par un mot-indicateur et un pictogramme.

- Le mot-indicateur désigne la gravité et la probabilité d'apparition du danger potentiel.
- Le pictogramme décrit le type de danger.

AVERTISSEMENT



Indique une situation potentiellement **dangereuse** pour la santé ou la sécurité des personnes. Le non-respect de cet avertissement peut entraîner des blessures extrêmement graves.

ATTENTION



Situation potentiellement **nuisible** pour la santé des personnes ou pour le matériel et l'environnement.



Une **NOTE GÉNÉRALE** signale une information utile pouvant inclure des conseils pratiques mais pas de situations dangereuses.

### Pictogrammes apposés sur les produits

Assurez-vous de bien comprendre leur signification avant d'utiliser ce matériel.



**Électricité** : signale une situation potentiellement **dangereuse** pour la santé ou la sécurité des personnes. Le non-respect de ces instructions de sécurité et de fonctionnement peut entraîner des chocs électriques, des brûlures ou des blessures graves.



Lire attentivement toutes les instructions.



Respecter et observer toutes les directives locales en matière de mise au rebut pour l'ensemble des composants de cet équipement et son emballage.



Conforme aux normes CE



Conformité eurasienne

## Consignes de sécurité générales pour le système de serrage

**AVERTISSEMENT**

Risque de choc électrique. Contact avec le courant du secteur et 320 Vcc.

En cas de panne de la commande ou de la visseuse elle-même, il y a un risque de choc électrique accidentel. Un choc électrique peut entraîner un arrêt cardio-vasculaire, un arrêt respiratoire, de brûlures et des blessures graves, voire la mort.

Ne mettez le système de fixation en service qu'après avoir lu et compris dans leur intégralité les consignes de sécurité suivantes.

Le non-respect de ces instructions peut entraîner, en plus des blessures mentionnées ci-dessus, des dommages sur la commande de la visseuse et la perte des droits à la garantie.

### 1 Remarques pour l'opérateur du système

Ces instructions de sécurité ne prétendent pas être exhaustives. Il convient de respecter obligatoirement les normes nationales et locales en matière de sécurité et de câblage au cours de l'installation. Ces normes sont prioritaires sur les informations présentées dans cette section.

Ces instructions de sécurité doivent être accessibles à tout moment à l'opérateur. Elles doivent être présentées et rendues accessibles au personnel chargé de l'utilisation ou de la réparation de l'équipement.

### 2 Formation des opérateurs

Seuls des opérateurs qualifiés et formés sont habilités à mettre en service, régler ou utiliser cette commande de vissage. Le personnel doit être formé par des personnes qualifiées parmi le personnel<sup>1)</sup> APEX.

La commande de la visseuse a été pré-réglée par APEX. Tout réglage correspondant à vos besoins de vissage doit être effectué uniquement à l'aide de la commande de l'appareil et par une personne qualifiée<sup>1)</sup>. Pour plus d'informations, reportez-vous au manuel de programmation.

### 3 Utilisation conforme

Le système de vissage APEX est conçu uniquement pour un usage industriel dans des processus de fixation.

- Utiliser la commande de vissage uniquement dans les conditions suivantes :
- uniquement à l'intérieur
- uniquement dans un environnement industriel répondant à la classe limite A pour la compatibilité électromagnétique (CEM).

### 4 Équipement de protection personnel

Risque de blessure par enroulement ou accrochage par la machine.

- En cas de travail avec des pièces en rotation, il est interdit de porter des gants.
- Portez des vêtements près du corps.
- Si besoin, portez un filet pour les cheveux.

Risque de blessures dues aux éléments éjectés :

- Portez des lunettes de protection.

### 5 Poste de travail

- Votre poste de travail doit toujours être propre et en ordre.
- Veiller à disposer d'un espace suffisant dans la zone de travail.
- Rester vigilant, attentif à ce que vous faites et faire preuve de bon sens lors de l'utilisation d'une broche de vissage. Ne pas utiliser d'outil lorsque vous êtes fatigué ou sous l'emprise de drogues, d'alcool ou de médicaments. Un moment d'inattention en utilisant la broche de vissage peut entraîner de graves blessures.

### 6 Fonctionnement

- Si la protection de terre devait déconnecter le système, éliminer la cause du courant trop élevé avant de poursuivre l'opération.
- Ne jamais tirer sur la fiche pour la sortir.
- Tenir le cordon à l'abri de la chaleur, de l'huile, d'arêtes vives ou de pièces mobiles.
- Remplacer sans tarder les cordons endommagés.

### 7 Nettoyage

- Nettoyer l'outil électrique et la commande de vissage sur l'extérieur à l'aide d'un chiffon humide.
- Ne pas utiliser d'eau sous pression.

### 8 Mise au rebut

Les composants et les moyens auxiliaires du système de vissage comportent des risques pour la santé et l'environnement.

- Sortir les composants de l'emballage et séparer les divers matériaux avant de les mettre au rebut.
- Renvoyer l'outil et la commande de vissage défectueuse à la structure de collecte de votre société ou au service après-vente.
- Observer les dispositions régionales correspondantes.



Respecter les directives généralement applicables en matière d'élimination des déchets, telles que la loi allemande sur les appareils électriques et électroniques (ElektroG) et la loi allemande sur les batteries (BattG) :

- Les batteries rechargeables usagées doivent être éliminées. Renvoyer les batteries défectueuses à la structure de collecte de votre société ou au service après-vente.

1. On entend par personnel qualifié, toute personne sachant reconnaître les risques potentiels et prendre les mesures de sécurité appropriées en raison de sa formation, connaissances et expérience professionnelles et sachant discerner les conditions applicables pertinentes au travail à effectuer. Le personnel qualifié doit respecter les règles.

## Instructions générales de sécurité pour le dispositif de commande

- Ne pas modifier la commande de vissage, tout dispositif de protection ou accessoires, sauf approbation écrite par Apex Tool Group LLC.
- Ne pas tenter d'ouvrir la commande de vissage ni les composants de la commande. Que cela soit pour une panne ou toute autre intervention sur l'unité. Toute interférence peut être à l'origine d'une erreur entraînant des blessures graves dues à un choc électrique.

Toute opération alors que le dispositif de commande est ouvert peut provoquer :

- une augmentation des émissions susceptibles d'atteindre d'autres matériels.
  - Une immunité réduite avec des résultats défectueux liés au dispositif de commande.
  - L'ouverture du dispositif de commande de vissage annulera toutes les conditions de garanties.
- Envoyer le dispositif de commande complet pour réparation au service après-vente.

### 1 Utilisation conforme

Ce produit fait partie du système de vissage APEX et il est conçu uniquement pour un usage industriel dans des processus de fixation.

- Utiliser la commande de vissage uniquement dans les conditions suivantes :
  - Combiné avec des outils APEX.
    - Outils avec cordon
    - Outils sans fil LiveWire
    - Visseuse intégrée
  - Avec les accessoires et cordons APEX approuvés.
  - Avec la tension d'alimentation admissible.
  - Exclusivement à la vitesse prévue pour la visseuse.
  - En utilisant la longueur de cordon maximum autorisée.
  - En utilisant l'outil uniquement à l'intérieur.
  - uniquement dans un environnement industriel répondant à la classe limite A pour la compatibilité électromagnétique (CEM).
- Ne pas ouvrir la commande de vissage :
  - Dans des zones dangereuses.
  - Dans des locaux humides / à l'extérieur.

### 2 Conditions ambiantes

- Tenir la commande de vissage à l'abri de la chaleur, du feu, du risque d'explosion et de l'humidité.

Fonction	Température	Humidité relative	Altitude de travail
Transport / stockage	de -25 °C à +70 °C (de -13 °F à +158 °F)	0...90 % non-condensant	jusqu'à 3000 m au-dessus du niveau de la mer
Fonctionnement	de 0 °C à +45 °C (de +32 °F à +113 °C)		

### 3 Raccordement d'alimentation électrique requise

- Ne faire fonctionner l'outil que sur un réseau électrique mis à la terre (réseau TN). Le fonctionnement en connexion avec un réseau IT n'est pas admissible.

Commande de vissage	Tension d'entrée, monophasée	Fréquence	Courant d'entrée 16 A max.
mPro400GC-P	115 Vca (104-126 Vca) 230 Vca (207-254 Vca)	50-60 Hz	2 A 1 A
mPro400GC-P230	230 Vca (207-254 Vca)		1 A
mPro400GC-S	115 Vca (104-126 Vca) 230 Vca (207-254 Vca)		2 A 1 A
mPro400GC-S230	230 Vca (207-254 Vca)		1 A
mPro400GC-M	115 Vca - 230 Vca (104-254 Vca)		1 A - 0,5 A
mPro400GC-E	115 Vca (104-126 Vca) 230 Vca (207-254 Vca)		2 A 1 A
mPro400GC-I	115 Vca (104-126 Vca)		2 A
	230 Vca (207-254 Vca)		1 A

### 4 Mise en place

Danger d'écrasement. La commande de vissage peut tomber et vous écraser le pied.

- Utiliser un matériel de levage approprié.
- Porter des chaussures de sécurité.
- Veiller à fixer suffisamment la commande de vissage : 4 x M6, sécurisées contre le desserrage (voir la description du matériel P2174HW).
- Poser tous les cordons et câbles de raccordement en toute sécurité, de sorte qu'ils ne soient pas endommagés et ne puissent pas faire trébucher une personne.
- Ne pas dépasser la longueur totale de cordon autorisée de 20 m. Toute longueur supplémentaire requiert un transformateur APEX isolé, réf. 544185PT.

En cas de panne, une perte de courant HT peut survenir et entraîner les blessures évoquées plus haut.

- Utiliser le cordon d'alimentation fourni. Pour tout remplacement, utiliser un réseau standard conforme.
- À 115 Vca : utiliser des câbles présentant une plus grande section.
- Établir une connexion équipotentielle entre la machine/pièce à usiner et l'outil.
- Avant de mettre la visseuse en marche, s'assurer que tous les branchements ont été faits correctement (voir la description du matériel P2174W).

### 5 Avant la première mise en service

- Avant la première mise en service, effectuer une mesure PE conformément aux réglementations applicables localement (disposition 3 DGUV en Allemagne).
- Respecter les consignes de sécurité figurant sur la commande de vissage et les outils.
- Contrôler visuellement que la commande de vissage, l'outil et le cordon ne présentent pas de défaut évident.
- Pour toute intervention de remplacement, de nettoyage et de mise hors service, couper et débrancher la commande de vissage avant de brancher le cordon d'alimentation de l'outil.

### 6 Fonctionnement

- Arrêter immédiatement la commande de vissage en cas de son, vibration ou odeur inhabituel. → Débrancher l'alimentation électrique et faire contrôler par un personnel qualifié la commande de vissage, et la faire réparer le cas échéant.
- Remplacez sans tarder les cordons endommagés.



## 7 Entretien

- Établir un programme de maintenance de sécurité et veiller à s'y tenir. Ce programme doit être conforme aux réglementations, inspection et interventions de maintenance pour tous les stades de la vie de la commande de vissage.
- Tester la protection de terre en respectant le calendrier prévu à cet effet dans les réglementations applicables localement (disposition 3 DGUV en Allemagne).

### mPro400GC-P, mPro400GC-S

- Enfoncer le bouton-poussoir de test situé au bas du panneau de commande de vissage.

### mPro400GC-P230, mPro400GC-S230

- Contrôler l'absence de fuite que le circuit de terre via la prise *GFCI Test* (voir le manuel de maintenance P2249WA) ou
- Enfoncer le bouton-poussoir de test situé au bas du panneau de commande de vissage.

## Consignes de sécurité générales pour les outils électriques

### AVERTISSEMENT



**Lire attentivement toutes les notes et instructions de sécurité.**


Le non-respect de ces notes et instructions de sécurité peut entraîner un choc électrique, un incendie ou des blessures graves.

**Conservé toutes les notes et instructions de sécurité pour pouvoir s'y référer ultérieurement.**

L'expression Outils électriques utilisée dans les présentes instructions de sécurité renvoie à un outil alimenté électriquement sur le secteur (avec un cordon électrique) et à des outils alimentés électriquement par batteries (sans cordon).

## 1 Sécurité au travail

- a) **Votre poste de travail doit être tenu propre et bien éclairé.** Des zones de travail mal rangées ou mal éclairées peuvent être à l'origine d'accidents.

- b)  **Ne jamais travailler avec votre outil électrique dans un environnement explosible, à savoir contenant des fluides, des gaz ou des poussières inflammables.** Les outils électriques projettent des étincelles susceptibles d'enflammer ces poussières et/ou ces vapeurs.

- c) **Tenir les enfants et toute autre personne à distance lorsque vous utilisez l'outil électrique.** Si vous êtes distrait, vous pouvez perdre le contrôle du dispositif.

## 2 Sécurité électrique


- a) **Le connecteur de votre outil électrique doit correspondre à la prise murale ou femelle. Ne modifier en aucune façon le connecteur. Ne jamais utiliser d'adaptateur lorsque vous travaillez avec des outils électriques mis à la terre.** Les connecteurs non modifiés et les prises femelles/ murales appropriées réduisent le risque de choc électrique.

- b) **Éviter tout contact physique avec les surfaces mis à la terre telles que les tuyauteries, radiateurs, cuisinières et réfrigérateurs.** Le risque de choc électrique est plus grand si votre propre corps est mis à la terre.

- c) **Tenir vos outils électriques à l'écart de la pluie et de la vapeur.** La pénétration d'eau dans un outil électrique augmente le risque de choc électrique.
- d) **Ne pas utiliser pas le cordon de manière incorrecte, pour transporter l'outil par exemple, le suspendre ou tirer pour sortir le connecteur de sa prise murale ou femelle. Tenir le cordon à l'abri de la chaleur, de l'huile, d'arêtes vives ou de pièces mobiles.** Les cordons endommagés ou enchevêtrés augmentent le risque de choc électrique.
- e) **Si vous travaillez à l'air libre avec un outil électrique, utilisez des rallonges adaptées pour un usage extérieur.** L'utilisation d'une rallonge adaptée pour l'extérieur réduit le risque de choc électrique.
- f) **S'il n'est pas possible d'éviter de faire fonctionner un outil électrique dans un environnement avec des vapeurs ou de l'humidité, utilisez un dispositif de protection contre les courants résiduels.** L'utilisation d'un dispositif de protection contre les courants résiduels réduit le risque de choc électrique.

## 3 Sécurité des personnes


- a) **Soyez vigilant et attentif à ce que vous faites et agissez de manière raisonnable à tout moment lorsque vous travaillez avec un outil électrique. N'utilisez jamais d'outil électrique lorsque vous êtes sous l'emprise de drogues, d'alcool ou de médicaments.** Un moment d'inattention dans l'utilisation d'un outil électrique peut provoquer de blessures graves.

- b)  **Portez votre équipement de protection individuelle (EPI) et toujours porter des lunettes de sécurité.** Le port de l'équipement de protection individuelle tel qu'un masque à poussières, des chaussures de sécurité antidérapantes, un casque et des protections auditives, en fonction du type et de l'utilisation de l'outil électrique contribue à limiter le risque de blessure.

- c) **Évitez les démarrages accidentels. Assurez-vous que l'outil électrique est sur Arrêt avant de le brancher sur l'alimentation électrique ou sur une batterie, de le ramasser ou de le transporter.** Des accidents peuvent survenir si vous avez vos doigts sur le bouton et/ou si le système est sur Marche ou raccordé sur le secteur.

- d) **Retirez les ustensiles de réglage ou les clés avant de mettre un outil électrique en marche.** Des blessures peuvent se produire si un outil est laissé dans un objet ou un matériel en rotation.

- e) **Évitez les postures physiques anormales ou inhabituelles. Veillez à avoir une position stable et bien équilibrée en permanence.** Cela vous aidera à maîtriser votre outil électrique dans des situations inattendues.

- f)  **Portez des vêtements adéquats. Ne portez jamais de vêtements lâches ou des bijoux. Veillez à bien tenir vos cheveux, vos vêtements et vos gants à l'écart des pièces mobiles.** Les vêtements lâches, les bijoux ou les cheveux longs peuvent être pris dans les pièces mobiles.

- g) **Si un appareil d'extraction ou de collecte des poussières peut être monté, veillez à ce qu'il soit raccordé et utilisé correctement.** L'utilisation d'un extracteur de poussières peut réduire les risques associés à la poussière.

**4 Utilisation et manipulation d'un appareil électrique**

- a) **Ne jamais surcharger le dispositif. Utiliser le bon outil électrique pour le travail que vous devez faire.** Faire le choix du bon outil électrique vous permet de travailler mieux et plus en sécurité dans la plage de performance spécifiée.
- b) **Ne jamais utiliser un outil électrique avec un commutateur défectueux.** Un outil électrique sur lequel le bouton M/A ne fonctionne plus est dangereux et doit être réparé.



c) **Sortir le connecteur de la commande de vissage, le cordon de l'outil de la prise murale ou femelle ou bien retirer ou débrancher la batterie avant de modifier les réglages de l'outil, de changer un accessoire ou de remettre l'outil en place.** Ces mesures de précaution empêchent l'outil électrique de redémarrer accidentellement.

- d) **Conserver les outils électriques hors de portée des enfants lorsqu'ils ne servent pas. Empêcher toute personne d'utiliser le dispositif si elle n'est pas familière de son fonctionnement ou n'a pas lu et assimilé les instructions d'utilisation.** Les outils électriques sont dangereux lorsqu'ils sont utilisés par des personnes inexpérimentées.
- e) **Prendre soin de son outillage électrique. Contrôler que les pièces mobiles fonctionnent parfaitement et ne se bloquent pas. Vérifier également qu'aucune pièce ne soit cassée ou endommagée au point de compromettre le bon fonctionnement de l'outil électrique. Faire réparer les pièces endommagées avant d'utiliser le dispositif.** Des outils électriques mal entretenus ont été à l'origine de nombreux accidents.
- f) **Conserver les outils de coupe affûtés et propres.** Des outils de coupe soigneusement entretenus, avec des arêtes vives se bloquent moins fréquemment, se manient plus facilement et fonctionnent mieux.
- g) **Utiliser toujours les outils électriques, les accessoires et outils d'impact conformément aux présentes instructions. Veiller également aux conditions de travail ambiantes et à la nature des tâches à accomplir.** Des situations dangereuses peuvent se produire lorsque les outils électriques sont utilisés à d'autres fins que celles pour lesquelles ils ont été conçus.

**5 Service**

- a) **Veiller à ce que vos outils électriques soient toujours réparés par des techniciens spécialisés<sup>1)</sup> dûment qualifiés et à toujours utiliser des pièces de rechange d'origine.** Vous serez ainsi certains d'avoir le niveau de sécurité maximal pour votre outillage électrique.

**Instructions de sécurité spécifiques pour les visseuses électriques manuelles**

**1 Sécurité électrique**

- a) Veiller à ce que le branchement PE soit fait sur du courant basse tension.
- b) Utiliser un transformateur pour toute longueur de câble dépassant 20 m. Max. 50 m.

1. Grâce à ses formation connaissances et expérience professionnelles et à leur aptitude à discerner les conditions applicables pertinentes au travail à effectuer, le personnel qualifié est en mesure de reconnaître les risques potentiels et prendre les mesures de sécurité appropriées. Le personnel est tenu d'observer les réglementations et d'appliquer les règles.

**2 Sécurité des personnes**

- a) Séries 18ET/EC, 48ET/EC : une pression accidentelle sur la touche Démarrage peut déclencher la rotation du mandrin dans l'entraînement de sortie (en reposant l'outil par exemple). Vos doigts peuvent être alors écrasés ou coupés. Ne mettez jamais vos doigts dans le mandrin. Débranchez l'outil avant de changer la clé à douille.
- b) Il est interdit de porter des gants.
- c) Tenez fermement l'outil en mains, pour être prêt à réagir en cas de changement de couple.
- d) Si vous utilisez l'outil dans des espaces confinés et avec des couples dépassant
  - 4 Nm pour les outils droits
  - 10 Nm pour les outils à poignées pistolets
  - 60 Nm pour les outils en angle
 utilisez toujours une barre de réaction. Ne posez jamais votre main sur la barre de réaction en cours d'utilisation de l'outil.
- e) Vérifiez que l'outil de suspension est convenablement fixé sur le dispositif d'équilibrage.

Outils avec scanner de codes-barres intégrés

Produit laser classe 2

Les lecteurs laser de classe 2 utilisent une diode laser générant un rayon lumineux visible à faible puissance, comparable à une source lumineuse très intense, comme par ex. le soleil. Risque de lésions oculaires.



- a) Ne pas regarder dans le rayon laser.
- b) Réparer sans délai les défauts sur les pièces optiques.
- c) Il est interdit de modifier le scanner à codes-barres.
- d) Cesser immédiatement d'utiliser les outils défectueux.

**3 Utilisation et manipulation d'une visseuse électrique à main**

- a) N'utiliser que des douilles pour machines de vissage mécaniques.
- b) Veiller à ce que les douilles soient bien engagées.
- c) Ne pas attacher la douille sur la tête de vissage sur un angle.
- d) Ne jamais utiliser de nettoyeur à haute pression pour nettoyer l'outil.
- e) Ne pas immerger l'outil dans un produit de nettoyage.

**4 Utilisation conforme**

Ce produit fait partie du système de vissage APEX et il est conçu uniquement pour un usage dans des processus de fixation et de détente.

- Utiliser uniquement avec la commande série mPro400GC, les accessoires et le cordon fournis par Apex Tool Group.
- Ne pas utiliser comme marteau ou pour recintrer.
- Ne pas ouvrir, ni procéder à des transformations techniques.
- Ne pas utiliser dans les zones à risque d'explosion.

**5 Conditions ambiantes**

Fonction	Température	Humidité relative	Altitude de travail
Transport / stockage	de -25 °C à +70 °C (de -13 °F à +158 °F)	0...90 % non-condensant	jusqu'à 3000 m au-dessus du niveau de la mer
Fonctionnement	de 0 °C à +45 °C (de +32 °F à +113 °F)		

## 2 État à la livraison, transport/ stockage

### État à la livraison

Contrôler les dommages de la livraison dus au transport et s'assurer que la livraison est complète :

- Produit correct
- Manuel d'utilisation
- Déclaration de conformité

### Transport / stockage

Transporter ou stocker dans l'emballage d'origine. Débrancher l'alimentation pendant le stockage. L'emballage est réutilisable. Se reporter aux conditions ambiantes contenues dans les consignes de sécurité.

## 3 Description du produit

### Visseuses avec cordon

- Moteur sans balai à faible inertie avec résolveur. Arrêt commandé avec le couple/angle.
- Préamplificateur intégré, y compris la mémoire service. Auto identification de l'outil lorsqu'il est raccordé à un contrôleur.
- L'affichage à DEL donne des informations sur l'évaluation du serrage en cours.
- Rotation horaire/antihoraire
- Les paramètres de fixation sont réglés par le contrôleur.
- Le cordon de l'outil permet la transmission de données et l'alimentation électrique entre le contrôleur et l'outil.



Visseuses avec cordon	
Réf.	Description
1	Raccordement électrique
2	Bouton de démarrage
3	Mécanisme d'inversion
4	Anneau lumineux à DEL
5	Ensemble moteur
6	Mécanisme d'engrenages
7	Fixation

### Affichage avec anneau lumineux à DEL

DEL	Description
Voyant vert continu	OK
Voyant rouge continu	NOK
Jaune	Activé

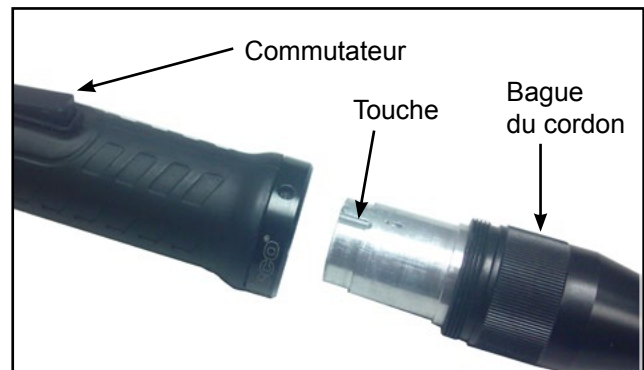
## 4 Avant la première mise en service

### Bloc d'alimentation

La puissance est fournie à la visseuse en la raccordant au réseau avec un contrôleur.

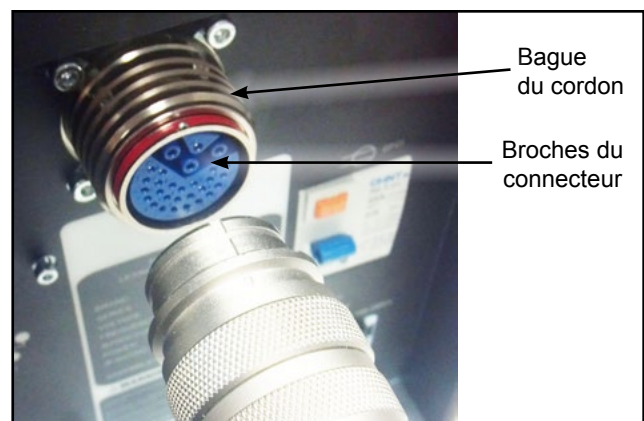
### Raccordement du cordon à l'outil

Insérer l'extrémité du cordon à raccorder dans la poignée de la visseuse. Faire correspondre la touche de connexion sur le cordon et le commutateur sur la poignée de l'outil. Cela permet à la touche de s'engager dans la bonne fente dans la poignée. Visser la bague du cordon dans la poignée de l'outil et serrer convenablement.



### Raccordement du cordon au contrôleur

Raccorder l'autre extrémité du cordon au connecteur du contrôleur. Veiller à ce que le collier du connecteur soit bien enfoncé vers le contrôleur. Faire correspondre les broches du connecteur du cordon de l'outil avec celles du connecteur du contrôleur. Enfoncer le connecteur du cordon dans celui du contrôleur et ramener la bague sur le cordon pour bloquer le connecteur dans sa position.



## mPro400GC-I contrôleur global

### Cordons de l'outil

série 48EAE	Longueur de cordon		FR Description
	Pieds	Mètres	
<b>Cordons non conformes Union européenne - connecteur air-LB</b>			
301866-XXX *	3 - 49	1 - 15	Cordon de l'outil 1
301904-XXX *	3 - 49	1 - 15	Cordon de raccordement : en ligne (1)
301903-XXX *	3 - 49	1 - 15	Cordon de raccordement : à angle droit (1)
301877-XXX	3 - 66	1 - 20	Rallonge
<b>Cordons conformes Union européenne - connecteur air-LB</b>			
961259-XXX **	3 - 66	1 - 20	Cordon de l'outil (1)
961250-XXX **	3 - 66	1 - 20	Cordon de l'outil (2)
961251-XXX **	3 - 66	1 - 20	Cordon de raccordement : en ligne (2)
961252-XXX **	3 - 66	1 - 20	Cordon de raccordement : à angle droit (2)
961249-XXX **	3 - 66	1 - 20	Rallonge

\* Remarque : les cordons de 1 m et 2 m ne doivent pas être utilisés avec la rallonge 301877.

\*\* Remarque : un cordon de 20 m ne nécessite pas de transformateur.

(1) Durabilité standard

(2) Durabilité élevée

série 48EA	Longueur de cordon		FR Description
	Pieds	Mètres	
<b>Cordons non conformes Union européenne - connecteur Matrix</b>			
542778-XXX *	3 - 49	1 - 15	Cordon de l'outil 1
544056-XXX *	3 - 49	1 - 15	Cordon de raccordement : en ligne (1)
544055-XXX *	3 - 49	1 - 15	Cordon de raccordement : à angle droit (1)
542779-XXX	3 - 66	1 - 20	Rallonge
<b>Cordons conformes Union européenne - connecteur Matrix</b>			
-----	-----	-----	-----
-----	-----	-----	-----
-----	-----	-----	-----
-----	-----	-----	-----
-----	-----	-----	-----

\* Remarque : les cordons de 1 m et 2 m ne doivent pas être utilisés avec la rallonge 542779.

(1) Durabilité standard

m-Pro-400GC-I  
Série



Cordon de l'outil

48EA illustration d'une visseuse à angle droit

Cordon de l'outil



## 5 Première mise en service

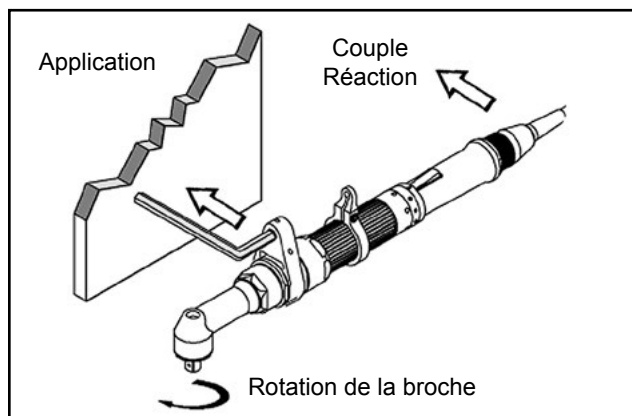
### Mise en marche

AVERTISSEMENT



Risque d'écrasement des mains.

→ Toujours utiliser une barre de réaction pour les applications dans un espace restreint ou à des couples élevés : outils en ligne (4 Nm), outils à poignée pistolet (10 Nm), outils à angle droit (60 Nm).



### Réaliser le serrage d'une attache

La série de visseuses 48E a été configurée par Apex Tool Group. Le réglage pour une attache spécifique devra uniquement être réalisé par du personnel qualifié à l'aide du contrôleur de la visseuse 1. L'opération initiale peut varier en fonction du type et de la programmation du contrôleur en question. Consulter le manuel de programmation du contrôleur.

- Vérifier que le cordon est convenablement raccordé sur l'outil et le contrôleur.
- Vérifier que le contrôleur est allumé et convenablement programmé (voir les manuels correspondants).
- Vérifier que le mécanisme du sens de rotation est dans la bonne position.
- Placer la douille ou la clé à douille sur le groupe produit et appuyer sur le bouton pour démarrer le vissage.
- Relâcher le bouton lorsque la visseuse s'arrête.
- Retirer la visseuse du groupe produit.

1. On entend par personnel qualifié, toute personne sachant reconnaître les risques potentiels et prendre les mesures de sécurité appropriées en raison de ses formation, connaissances et expérience professionnelles et sachant discerner les conditions applicables pertinentes au travail à effectuer. Le personnel qualifié doit respecter les règles.

## Maintenance

Mettez en œuvre un programme de maintenance de sécurité visant à effectuer une inspection régulière pour toutes les phases de fonctionnement de l'outil et l'équipement d'alimentation d'air.

Une fois par jour :

- Contrôle visuel de l'ensemble des câbles et connexions
- Contrôle visuel de l'ensemble des composants d'outil externes
- Contrôler l'outil (vibrations excessives ou bruits inhabituels)

Environ 100 000 serrages :

- Inspecter le câble d'outil (endommagement ou usure)
- Inspecter la connexion du câble d'outil (maintien ferme)
- Inspecter la broche de sortie (endommagement ou usure)
- Vérifier la vitesse maximale à vide

Environ 500 000 serrages :

- Désassembler l'outil et inspecter toutes les pièces (endommagement ou usure); les remplacer si nécessaire
- Nettoyer et lubrifier la tête angulaire, le mécanisme d'engrenages et les paliers du moteur
- Suivant l'équipement ; réétalonner le transducteur

Environ 1 000 000 serrages :

- Désassembler l'outil et inspecter toutes les pièces (endommagement ou usure); les remplacer si nécessaire
- Nettoyer et lubrifier la tête angulaire, le mécanisme d'engrenages et les paliers du moteur
- Suivant l'équipement ; réétalonner le transducteur

## Lubrifiants

L'application de l'outil d'assemblage détermine la fréquence de graissage de ce dernier. Tous les mécanismes d'engrenages doivent être lubrifiés avec une quantité généreuse de graisse pendant chaque intervalle de maintenance.

N° pièce	Emballé	Graisse
540395	2 oz. (0.06 kg)	Magnalube-G
513156	16 oz. (0.45 kg)	Magnalube-G
541444	2 oz. (0.06 kg)	Rheolube 363AX-1
541445	16 oz. (0.45 kg)	Rheolube 363AX-1



## 6 Dépannage

Dysfonctionnement	Causes possibles	Remède
L'outil ne démarre pas	Bouton de démarrage défectueux	→ Remplacer le bouton de démarrage
	Aucune vitesse programmée (tr/min)	→ Programmer la vitesse pour tous les stades actifs
	Contrôleur en attente de l'activation de l'outil	→ Activer l'entrée <i>Déblocage</i> ou, si cela n'est pas nécessaire, désactiver le <i>Déblocage</i>
	Cordon défectueux	→ Réparer ou remplacer le cordon
	Broches tordues sur le cordon ou l'outil	→ Redresser la broche de contact ou remplacer le connecteur défectueux
	Données d'auto identification non reconnues après le changement d'outil	→ Accepter de nouveau <i>Data</i> (réglage Outil)
Pas de signal sonore après le branchement du cordon de l'outil	Problème logiciel	→ Vérifier le logiciel contrôleur / le logiciel du panneau de mesure
	Cordon défectueux	→ Remplacer le cordon
	Outil défectueux	→ Remplacer l'outil
L'outil ne démarre pas avec la rotation antihoraire activée	Avec la rotation antihoraire, le paramètre de vitesse est réglé sur 0 tr/min.	→ Programmer la vitesse pour la rotation antihoraire
L'outil démarre dans le sens de vissage mais pas dans la rotation antihoraire	Aucune vitesse programmée pour la rotation antihoraire	→ Programmer la vitesse pour la rotation antihoraire
	Commutateur du sens de rotation défectueux	→ Remplacer le bloc bouton de démarrage/inverseur
	Cordon défectueux	→ Réparer ou remplacer le cordon
	Broches tordues sur le cordon ou l'outil	→ Redresser la broche de contact ou remplacer le connecteur défectueux
L'outil s'arrête au couple de résultat voulu mais sans indication d'angle	Seuil du couple de résultat trop élevé	→ Rectifier la séquence de fixation ou réduire la valeur seuil du couple
L'outil s'arrête prématurément	L'opérateur relâche le bouton de démarrage avant que la commande n'arrête l'outil	→ Veiller à ce que l'opérateur maintienne le bouton de démarrage enfoncé pendant toute la séquence.
	La durée de fixation dépasse de 10 secondes la durée standard.	→ Augmenter la durée de fixation
	L'outil dépasse l'angle réglé	→ Vérifier la séquence de fixation de sorte que la valeur du couple déclenchant l'arrêt et /ou l'angle réglé soient corrects. Régler si nécessaire. Vérifier si le joint de fixation a changé de manière significative.
L'outil ne doit pas changer de vitesse	La vitesse est la même à toutes les étapes	→ Veiller à ce que la vitesse et l'angle de déclenchement soient identiques à toutes les étapes.
Les DEL de l'outil commencent à clignoter lorsque le bouton de sens de rotation est actionné	Il s'agit d'une fonction normale qui est définie dans les paramètres par défaut.	→ Activer ou désactiver la boîte de contrôle <i>Clignotement des DEL en marche à gauche</i>
Avertissement dans l'affichage process : <i>Capteur 1/2 de décalage NOK</i>	Le transducteur ne revient pas à un couple de résultat de 0.	→ Le transducteur a été surchargé et doit être remplacé
	Mauvais câblage de l'outil ou mauvais cordon	→ Vérifier l'outil avec un autre cordon. Les valeurs de décalage et de calibrage peuvent être vérifiées dans le menu <i>Diagnostic</i> .
Avertissement dans l'affichage process : <i>Outil hors connexion !</i>	L'outil n'a pas été accepté dans les <i>Paramètres visseuse</i>	→ Vérifier dans le menu déroulant que l'outil a bien été accepté. Si ce n'est pas le cas, l'état doit afficher <i>Acceptation en mode manuel requise</i> . La bonne ligne doit être marquée avant que le réglage ne puisse être accepté dans le menu <i>Paramètres visseuse</i> .
	Un cordon défectueux empêchera l'outil d'être reconnu par la commande de la visseuse.	→ Réparer ou remplacer le cordon
Affichages de couples différents sur la commande et le transducteur externe	Le facteur de calibrage du couple (Cal. couple) doit être réglé dans <i>Paramètres visseuse</i> .	→ Régler Cal. couple ( <i>Paramètres visseuse</i> ) en utilisant la formule suivante : Nouvelle valeur de calibrage = (valeur externe /valeur outil) x valeur de calibrage utilisée
	Une fixation d'angle du client a été ajoutée à l'outil. La mémoire de l'outil doit être mise à jour.	→ Reprogrammer la mémoire de l'outil
Le cordon de l'outil ne convient pas à la poignée de l'outil	Mauvais cordon. Les outils fonctionnant avec la commande de vissage mPro400GC utilisent un connecteur air-LB. Le connecteur a des tailles différentes par rapport à la matrice du connecteur utilisée antérieurement.	→ Utiliser le bon cordon pour l'outil de service.



## 7.1 Série 48E, performances

Série 48E, commande courant visseuse - connecteur air-LB de l'outil \*

Référence modèle	Plage d'outil				Vitesse max. (tr/min)	Longueur		Poids		Hauteur de tête		Côté à centre		Dimension entraînement de sortie
	Couple max.		Couple min.			pouce	mm	lbs	kg	pouce	mm	pouce	mm	
	lb,×ft	Nm	lb,×ft	Nm										
<b>Série 48EA, visseuse à angle droit **</b>														
48EAE15AL3	11.1	15	2.2	3	2855	15.7	398	3.8	1.7	1.6	41	0.59	15	3/8"
48EAE28AL3	20.7	28	4.4	6	1300	16.2	410	4.1	1.9	1.6	41	0.59	15	3/8"
48EAE41AM3	30.2	41	6.6	9	1090	17.3	440	4.3	2.0	1.9	48	0.75	19	3/8"
48EAE58AM3	42.8	58	8.9	12	770	17.3	440	4.3	2.0	1.9	48	0.75	19	3/8"
48EAE58AM4	42.8	58	8.9	12	770	17.3	440	4.3	2.0	1.9	48	0.75	19	1/2"
48EAE90AH4	64.2	87	13.3	18	515	18.5	470	6.6	3.0	2.3	58	0.81	21	1/2"
48EAE105AH4	76.7	104	15.5	21	340	18.5	470	6.6	3.0	2.3	58	0.81	21	1/2"
48EAE135MH4	98.1	133	19.9	27	265	19.1	485	7.3	3.3	2.4	61	0.94	24	1/2"
48EAE175AX6	129.8	176	26.6	36	190	21.6	549	10.2	4.6	2.7	69	1.06	27	3/4"
48EAE230AX6	169.6	230	33.9	46	145	21.6	549	10.2	4.6	2.7	69	1.06	27	3/4"
<b>Série 48EA, visseuse à broche flottante à angle droit</b>														
48EAE37S231	27.2	37	5.9	8	1225	18.7	474	5.4	2.4	2.7	69	0.67	17	3/8"
48EAE52S231	38.3	52	8.1	11	860	18.7	474	5.4	2.4	2.7	69	0.67	17	3/8"
48EAE53S341	39.1	53	8.1	11	850	20.0	509	6.0	2.7	3.3	83	0.87	22	1/2"
48EAE75S341	55.3	75	11.0	15	600	20.0	509	6.0	2.7	3.3	83	0.87	22	1/2"
48EAE95S341	70.0	95	14.7	20	460	20.5	521	7.4	3.4	3.3	83	0.87	22	1/2"
48EAE110S341	81.1	110	16.9	23	400	20.5	521	7.4	3.4	3.3	83	0.87	22	1/2"
48EAE135S461	99.5	135	20.6	28	270	20.6	522	8.9	4.0	3.7	94	1.06	27	3/4"
48EAE230S461	169.6	230	34.6	47	150	22.2	563	10.6	4.8	3.7	94	1.06	27	3/4"
<b>Série 48EA, visseuse à prise affleurante à angle droit</b>														
48EAE37F2	27.3	37	5.9	8	1225	18.7	474	5.4	2.4	1.7	43	0.67	17	----
48EAE52F2	38.3	52	8.1	11	860	18.7	474	5.4	2.4	1.7	43	0.67	17	----
48EAE53F3	39.0	53	8.1	11	850	20.0	509	6.0	2.7	2.3	59	0.87	22	----
48EAE75F3	55.3	75	11.1	15	600	20.0	509	6.0	2.7	2.3	59	0.87	22	----
48EAE110F3	81.1	110	17.0	23	400	20.5	521	7.4	3.4	2.3	59	0.87	22	----
48EAE135F4	99.5	135	19.9	27	270	20.6	522	8.9	4.0	2.4	61	1.06	27	----
48EAE230F4	172.6	230	34.7	47	150	22.2	563	10.6	4.8	2.4	61	1.06	27	----
<b>Série 48EA, visseuse à angle droit</b>														
48EAE53H	39.8	54	8.1	11	850	20.2	512	7.9	3.6	2.4	61	1.06	27	----
48EAE75H	56.8	77	11.1	15	600	20.2	512	7.9	3.6	2.4	61	1.06	27	----
48EAE110H	85.6	115	17.0	23	400	20.2	512	8.9	4.0	2.4	61	1.06	27	----
48EAE135H	101.8	135	20.7	28	270	20.6	522	8.9	4.0	2.4	61	1.06	27	----
48EAE230H	169.6	230	34.7	47	150	22.2	563	10.6	4.8	2.4	61	1.06	27	----
<b>Série 48EC, visseuse en ligne</b>														
48ECE30C1	22.1	30	7.7	10	860	20.5	521	5.5	2.3	1.7	43	0.63	16	----
48ECE30C3	22.1	30	7.7	10	860	20.5	521	5.5	2.3	1.6	40	0.63	16	----
<b>Série 48EP, visseuse à poignée pistolet **</b>														
48EPE12Q	8.9	12	2.2	3	4000	8.3	211	2.7	1.2	----	----	0.84	21	1/4" Hex
48EPE12D2	8.9	12	2.2	3	4000	7.7	196	2.7	1.2	----	----	0.84	21	1/4"
48EPE25D3	18.4	25	4.4	6	1820	8.4	213	2.9	1.3	----	----	0.84	21	3/8"
48EPE36D3	26.6	36	5.9	8	1290	8.4	213	2.9	1.3	----	----	0.84	21	3/8"
48EPE48D3	35.4	48	7.4	10	985	8.6	218	3.0	1.4	----	----	0.84	21	3/8"
48EPE65D4	47.9	65	9.6	13	750	10.8	274	5.0	2.3	----	----	0.91	23	1/2"
48EPE90D4	66.4	90	14.0	19	510	11.3	287	5.3	2.4	----	----	0.91	23	1/2"
48EPE125D4	92.2	125	19.2	26	360	11.3	287	5.3	2.4	----	----	0.91	23	1/2"
48EPE150D4	110.6	150	22.9	31	240	11.3	287	5.3	2.4	----	----	0.91	23	1/2"
48EPE200D6	144.0	195	92.0	125	180	16.2	410	9.5	4.3	----	----	1.13	29	3/4"
48EPE500D6	368.0	500	225.0	300	53	16.2	410	9.8	4.5	----	----	1.13	29	3/4"
48EPE1000D8	740.0	1000	370.0	500	33	19.2	486	16.2	7.3	----	----	1.50	38	1"

\* Remarque: connecteur Matrix de l'outil - Les spécifications sont identiques.

\*\* Remarque: modèles de goupille illustrés. Les spécifications pour les modèles de cages à billes (terminaison B) sont identiques.

## 7.1 Série 48E, performances (a continué)

Série 48E, commande courant visseuse - connecteur air-LB de l'outil \*

Référence modèle	Plage d'outil				Vitesse max. (tr/min)	Longueur		Poids		Hauteur de tête		Côté à centre		Dimension entraînement de sortie
	Couple max.		Couple min.			pouce	mm	lbs	kg	pouce	mm	pouce	mm	
	lb, xft	Nm	lb, xft	Nm										
<b>Série 48ES, visseuse en ligne **</b>														
48ESE12Q	8.9	12	2.2	3	4000	13.5	343	3.0	1.4	---	---	0.91	23	1/4" Hex
48ESE12D2	8.9	12	2.2	3	4000	13.0	330	3.0	1.4	---	---	0.91	23	1/4"
48ESE25D3	18.4	25	4.4	6	1820	13.6	345	3.2	1.5	---	---	0.91	23	3/8"
48ESE36D3	26.6	36	5.9	8	1290	13.6	345	3.2	1.5	---	---	0.91	23	3/8"
48ESE48D3	35.4	48	7.4	10	985	13.8	351	3.3	1.5	---	---	0.91	23	3/8"
48ESE65D4	47.9	65	9.6	13	750	16.6	420	5.3	2.4	---	---	1.13	29	1/2"
48ESE90D4	66.4	90	14.0	19	510	17.1	435	5.6	2.5	---	---	1.13	29	1/2"
48ESE125D4	92.2	125	19.2	26	360	17.1	435	5.6	2.5	---	---	1.13	29	1/2"
48ESE150D4	110.6	150	22.9	31	240	17.1	435	5.6	2.5	---	---	1.13	29	1/2"
<b>Série 48ES, visseuse en ligne à broche flottante</b>														
48ESE12ZA	8.9	12	2.2	3	4000	16.7	425	3.4	1.5	---	---	0.91	23	1/4"
48ESE271ZB	19.9	27	5.9	8	1820	22.0	559	5.8	2.6	---	---	0.92	23	3/8"
48ESE361ZB	26.6	36	5.2	7	1290	22.0	559	5.8	2.6	---	---	0.92	23	3/8"
48ESE602ZB	42.0	57	8.1	11	855	24.4	620	8.4	3.8	---	---	1.10	28	1/2"
48ESE702ZB	50.2	68	10.3	14	570	24.4	620	8.4	3.8	---	---	1.10	28	1/2"
48ESE802ZB	60.5	82	12.5	17	450	26.7	678	9.6	4.4	---	---	1.10	28	1/2"
48ESE1152ZB	84.8	115	18.4	25	320	26.7	678	9.6	4.4	---	---	1.10	28	1/2"
48ESE1502ZB	110.6	150	22.9	31	245	26.7	678	9.6	4.4	---	---	1.10	28	1/2"
48ESE1653ZB	121.7	165	24.3	33	220	28.6	726	14.6	6.6	---	---	1.57	40	3/4"
48ESE2503ZB	182.9	548	36.8	50	145	28.6	726	14.6	6.6	---	---	1.57	40	3/4"
<b>Série 48ET, visseuse en ligne</b>														
48ETE20T2	14.8	20	7.4	10	1425	16.9	430	4.4	2.0	---	---	0.78	20	1/2"
48ETE30T3	22.1	30	11.1	15	1030	16.6	422	4.5	2.0	---	---	0.83	21	3/4"
48ETE40T4	29.5	40	14.8	20	770	17.9	454	5.3	2.3	---	---	1.18	30	1-1/16"

\* Remarque: connecteur Matrix de l'outil - Les spécifications sont identiques.

\*\* Remarque: modèles de gouille illustrés. Les spécifications pour les modèles de cages à billes (terminaison B) sont identiques.

## 7.2 Série 48E, mémoire outil

Série 48E, commande courant visseuse - connecteur air-LB de l'outil \*

Référence modèle	Vitesse max. (tr/min)	Couple max. (Nm)	calibrage du couple [Nm]	Type de transducteur	Angle d'étalonnage [PPD]	facteur courant statique [Nm/A]
<b>Série 48EA, visseuse à angle droit **</b>						
48EAE15AL3	2855	15	17.9794	542846-12	29.8662	0.6929
48EAE28AL3	1300	28	42.8072	542846-31	65.6023	1.4458
48EAE41AM3	1090	41	50.9609	542846-31	78.0980	1.7212
48EAE58AM3	770	58	77.2838	542846-48	110.2015	2.4287
48EAE58AM4	770	58	77.2838	542846-48	110.2015	2.4287
48EAE90AH4	515	87	158.3540	542846-100	165.6771	3.6514
48EAE105AH4	340	104	156.6510	542846-100	248.0254	5.4662
48EAE135MH4	265	133	199.7300	542846-100	316.2324	6.9694
48EAE175AX6	190	176	231.2227	542846-40	441.5931	9.2456
48EAE230AX6	145	230	228.7037	542846-40	575.9910	12.0595
<b>Série 48EA, visseuse à broche flottante à angle droit</b>						
48EAE37S231	1225	37	45.8648	542846-31	70.2893	1.5491
48EAE52S231	860	52	69.5554	542846-48	99.1829	2.1859
48EAE53S341	850	53	65.5212	542846-31	100.4132	2.2130
48EAE75S341	600	75	99.3649	542846-48	141.6898	3.1226
48EAE95S341	460	95	98.2031	542846-48	185.5462	4.0892
48EAE110S341	400	110	203.5980	542846-100	213.0167	4.6946
48EAE135S461	270	135	201.4084	542846-100	318.8948	7.0280
48EAE230S461	150	230	297.2863	542846-40	567.7714	11.8873
<b>Série 48EA, visseuse à prise affleurante à angle droit</b>						
48EAE37F2	1225	37	45.8648	542846-31	70.2893	1.5491
48EAE52F2	860	52	69.5554	542846-48	99.1829	2.1859
48EAE53F3	850	53	65.5212	542846-31	100.4132	2.2130
48EAE75F3	600	75	99.3649	542846-48	141.6898	3.1226
48EAE110F3	400	110	203.5980	542846-100	213.0167	4.6946
48EAE135F4	270	135	201.4084	542846-100	318.8948	7.0280
48EAE230F4	150	230	297.2863	542846-40	567.7714	11.8873
<b>Série 48EA, visseuse à angle droit</b>						
48EAE53H	850	54	65.5212	542846-31	100.4132	2.2130
48EAE75H	600	77	99.3649	542846-48	141.6898	3.1226
48EAE110H	400	115	203.5980	542846-100	213.0167	4.6946
48EAE135H	270	135	201.4084	542846-100	318.8948	7.0280
48EAE230H	150	230	297.2863	542846-40	567.7714	11.8873
<b>Série 48EC, visseuse en ligne</b>						
48ECE30C1	860	30	49.1424	542846-48	99.1829	1.5444
48ECE30C3	860	30	49.1424	542846-48	99.1829	1.5444
<b>Série 48EP, visseuse à poignée pistolet **</b>						
48EPE12Q	4000	12	13.9592	542846-12	21.3330	0.5379
48EPE12D2	4000	12	13.9592	542846-12	21.3330	0.5379
48EPE25D3	1820	25	33.2354	542846-31	46.8588	1.1225
48EPE36D3	1290	36	37.8018	542846-36	66.1209	1.5840
48EPE48D3	985	48	49.8132	542846-48	86.5869	2.0742
48EPE65D4	750	65	70.3865	542846-12	113.2308	2.7124
48EPE90D4	510	90	111.9428	542846-31	166.1383	3.7809
48EPE125D4	360	125	127.3235	542846-36	234.4323	5.3350
48EPE150D4	240	150	190.6085	542846-36	350.9548	7.9868
48EPE200D6	178	200	282.9741	542846.12	479.1795	10.9048
48EPE500D6	53	500	903.0329	542846-12	1609.6500	34.7997
48EPE1000D8	33	1000	1449.6660	542846-12	2584.0198	55.8650

\* Remarque: connecteur Matrix de l'outil - Les spécifications sont identiques.

\*\* Remarque: modèles de goupille illustrés. Les spécifications pour les modèles de cages à billes (terminaison B) sont identiques

## 7.2 Série 48E, mémoire outil (a continué)

Série 48E, commande courant visseuse - connecteur air-LB de l'outil \*

Référence modèle	Vitesse max. (tr/min)	Couple max. (Nm)	calibrage du couple [Nm]	Type de transducteur	Angle d'étalonnage [PPD]	facteur courant statique [Nm/A]
<b>Série 48ES, visseuse en ligne **</b>						
48ESE12Q	4000	12	13.9592	542846-12	21.3330	0.5379
48ESE12D2	4000	12	13.9592	542846-12	21.3330	0.5379
48ESE25D3	1820	25	33.2354	542846-31	46.8588	1.1225
48ESE36D3	1290	36	37.8018	542846-36	66.1209	1.5840
48ESE48D3	985	48	49.8132	542846-48	86.5869	2.0742
48ESE65D4	750	65	70.3865	542846-12	113.2308	2.7124
48ESE90D4	510	90	111.9428	542846-31	166.1383	3.7809
48ESE125D4	360	125	127.3235	542846-36	234.4323	5.3350
48ESE150D4	240	150	190.6085	542846-36	350.9548	7.9868
<b>Série 48ES, visseuse en ligne à broche flottante</b>						
48ESE12ZA	4000	12	13.9592	542846-12	21.3333	0.5379
48ESE271ZB	1820	27	33.2354	542846-31	46.8595	1.1225
48ESE361ZB	1290	36	37.8018	542846-36	66.1219	1.5840
48ESE602ZB	855	57	103.2743	542846-100	99.4078	2.3813
48ESE702ZB	570	68	102.1637	542846-100	148.8176	3.5649
48ESE802ZB	450	82	153.7513	542846-40	188.3146	4.2855
48ESE1152ZB	320	115	150.7974	542846-40	264.9600	6.0298
48ESE1502ZB	245	150	149.1546	542846-40	345.6000	7.8649
48ESE1653ZB	220	165	376.0907	542846-100	381.0632	8.6720
48ESE2503ZB	145	548	372.0461	542846-100	570.4674	12.9823
<b>Série 48ET, visseuse en ligne</b>						
48ETE20T2	1425	20	35.9914	542846-17	59.7333	0.9790
48ETE30T3	1030	30	49.8343	542846-17	82.7077	1.3556
48ETE40T4	770	40	66.4457	542846-17	110.2769	1.8075

\* Remarque: connecteur Matrix de l'outil - Les spécifications sont identiques.

\*\* Remarque: modèles de goupille illustrés. Les spécifications pour les modèles de cages à billes (terminaison B) sont identiques.

## Sobre este manual de instrucciones

El idioma original de este manual de instrucciones es el inglés. Este manual de instrucciones está dirigido a todas las personas que manejan y realizan el mantenimiento de este equipo.

El manual de instrucciones tiene las finalidades siguientes:

- Incluye indicaciones importantes para una manipulación segura y eficiente.
- Describe la función y la operación de este equipo.
- Sirve como guía de consulta de datos técnicos, intervalos de servicio y realización de pedidos de piezas de repuesto.
- Proporciona información sobre el equipamiento opcional.

### Símbolos utilizados en el texto:

- Identifica instrucciones que deben seguirse.
- Identifica una lista.
- <..> Indica un número de referencia del diagrama de vista en despiece.

**Negríta** Indica una función o instrucción importante.

OK Okay (aceptable)

NOK No okay (no aceptable)

### Gráfico de identificación:

- Indica un movimiento direccional.
- ⇓ Indica una función o fuerza.

### Protección del copyright:

Apex Tool Group, LLC se reserva el derecho a modificar y realizar añadidos o mejoras en este documento o en el producto sin aviso previo. Está prohibido reproducir o transferir total o parcialmente este documento a otro lenguaje natural o legible por medios mecánicos o a soportes informáticos, ya sea de manera electrónica, mecánica, óptica o de cualquier otra forma sin el consentimiento expreso de Apex Tool Group, LLC.

## 1 Seguridad:

### Advertencias e indicaciones

Las indicaciones de advertencia están identificadas con una palabra de advertencia y un pictograma.

- La palabra de advertencia indica la gravedad y la probabilidad del peligro inminente.
- El pictograma indica el tipo de peligro.

#### ADVERTENCIA



Indica una situación potencialmente **peligrosa** para la salud de las personas. La inobservancia de esta advertencia puede conllevar lesiones muy graves e incluso mortales.

#### ATENCIÓN



Situación posiblemente **nociva** para la salud de las personas o daños materiales y medioambientales.



**NOTA GENERAL** identifica información que puede incluir consejos de aplicación, pero no situaciones peligrosas.

### Símbolos en el producto

Asegúrese de haber comprendido su significado antes de utilizar este equipo.



**Electricidad:** indica una situación potencialmente **peligrosa** para la salud de las personas. El incumplimiento de las instrucciones de operación y seguridad podría ocasionar descargas eléctricas, quemaduras o lesiones graves.



Lea todas las instrucciones.



Siga todas las directrices locales para el desecho de todos los componentes del equipo y del embalaje.



Conforme con CE



Conformidad con EurAsian

## Instrucciones generales de seguridad del sistema de apriete

**ADVERTENCIA** Riesgo de descarga eléctrica. Contacto con voltaje de la red de alimentación y 320 V CC.



En caso de fallo, el control del aprietatuercas y la herramienta pueden causar una descarga eléctrica accidental. Las descargas eléctricas pueden provocar una parada cardíaca, parada respiratoria, quemaduras y lesiones graves e incluso mortales.

→ El sistema de fijación solo se debe poner en servicio si previamente se han leído y comprendido íntegramente las instrucciones de seguridad siguientes.

Además de las lesiones anteriormente mencionadas, el incumplimiento de estas instrucciones puede ocasionar daños en el controlador del aprietatuercas y la pérdida de las reclamaciones de garantía existentes.

### 1 Notas para el usuario del sistema

Estas instrucciones de seguridad no se han concebido con carácter exhaustivo. Se han de observar durante la instalación los estándares correspondientes en materia de cableado y seguridad tanto en el ámbito local como estatal y nacional. Estos estándares tienen prioridad sobre cualquier información que figure en esta sección.

Las presentes instrucciones de seguridad han de quedar accesibles en todo momento para el operario. Se deben mostrar y poner a disposición del personal encargado del manejo o reparación del equipo.

### 2 Formación de usuarios

La puesta en marcha, el ajuste y la realización de pruebas de este control del aprietatuercas solo debe llevarse a cabo por parte de personal cualificado que cuente con la debida formación. Los usuarios deben recibir formación impartida por personal cualificado<sup>1)</sup> de APEX.

El control del aprietatuercas ha sido preconfigurado por APEX. Si desea modificar la configuración para adaptarla a uniones roscadas concretas, encargue dicha tarea exclusivamente a personal cualificado<sup>1)</sup>. Si desea más información al respecto, consulte el manual de programa.

### 3 Empleo de acuerdo con el uso previsto

El sistema de apriete de APEX está concebido exclusivamente para su uso industrial en procesos de apriete.

→ Utilice el sistema de apriete de conformidad con las siguientes condiciones:

- uso solamente en zonas interiores
- solo en condiciones de valor límite industrial de clase A de CEM

### 4 Equipo protector personal

Riesgo de lesiones por enrollamiento y arrastre:

→ Cuando se trabaja con piezas giratorias, el uso de guantes está prohibido.

→ Lleve ropa ceñida al cuerpo.

→ Si es necesario, utilice una redcilla para recoger el cabello.

Riesgo de lesiones debido a la eyección de componentes:

→ Utilice gafas de protección.

1. Se entiende por personal cualificado cualquier profesional que puede reconocer los peligros potenciales y adoptar las medidas de seguridad pertinentes gracias a su formación profesional, conocimientos y experiencia, así como por su conocimiento de las condiciones relevantes e inherentes al trabajo que se vaya a desarrollar. El personal cualificado debe respetar las normas pertinentes

### 5 Puesto de trabajo

→ Mantenga siempre limpio y recogido el lugar de trabajo.

→ Cerciórese de que la zona de trabajo dispone de suficiente espacio.

→ Manténgase alerta, sea consciente de lo que está haciendo en todo momento y utilice el sentido común cuando utilice el aprietatuercas. No utilice la herramienta si se encuentra cansado o bajo influencia de drogas, alcohol o medicamentos. Un momento de distracción durante el manejo del aprietatuercas puede conllevar lesiones personales graves.

### 6 Utilización

→ Si el protector contra fuga a tierra desconecta el sistema, corrija la causa de la corriente elevada de fallo antes de proseguir con el trabajo.

→ No tire nunca del cable para extraer el enchufe de la toma de corriente.

→ Mantenga el cable alejado de focos de calor, aceite, bordes cortantes o piezas móviles.

→ Sustituya de inmediato cualquier cable que haya sufrido daños.

### 7 Limpieza

→ Limpie la herramienta eléctrica y el control del aprietatuercas solo desde el exterior con un paño húmedo.

→ No utilice un instrumento de limpieza de presión.

### 8 Desecho

Los componentes y medios auxiliares del sistema de apriete conllevan riesgos para la salud y el medio ambiente.

→ Separe los componentes del embalaje y clasifique los distintos materiales antes de desecharlos.

→ Devuelva la herramienta y el control del aprietatuercas defectuosos a las instalaciones de recogida de su empresa o a un centro de ventas y servicio.

→ Tenga en cuenta la normativa local aplicable.



Observe las directivas generales vigentes sobre eliminación de residuos, tales como la Ley sobre aparatos eléctricos y electrónicos (ElektroG) y la Ley sobre baterías y pilas (BattG), en el caso de Alemania:

→ Las baterías desgastadas deben ser eliminadas. Devuelva las baterías defectuosas a las instalaciones de recogida de su empresa o a un centro de ventas y servicio.



## Instrucciones generales de seguridad del controlador

- No modifique el control del aprietatuercas, ni la protección ni los accesorios, salvo en caso de contar con aprobación expresa por escrito de Apex Tool Group LLC.
- No intente abrir el control del aprietatuercas ni los componentes del control. Ni para la localización de fallos, ni para la realización de otras tareas en el unidad. Cualquier interferencia podría provocar un error que causara lesiones graves por descarga eléctrica.

La utilización con un controlador abierto puede provocar:

- un aumento de las emisiones que podría afectar a otros equipos.
  - una inmunidad reducida: el control del aprietatuercas podría generar resultados erróneos.
  - La apertura del control del aprietatuercas anula las garantías existentes.
- Envíe el control del aprietatuercas entero para su reparación al centro de ventas y servicio.

### 1 Empleo de acuerdo con el uso previsto

Este producto forma parte del sistema de apriete de APEX y está concebido exclusivamente para su uso industrial en procesos de apriete.

- Utilice el control de aprietatuercas de conformidad con las siguientes condiciones:
  - Junto con las herramientas APEX.
    - Herramientas con cable
    - Herramientas sin cable CE LiveWire
    - Aprietatuercas integrado
  - Con los accesorios y cables APEX aprobados.
  - Con el voltaje de alimentación permitido.
  - Únicamente a la velocidad del aprietatuercas.
  - Con la longitud de cable máxima aprobada.
  - Uso solamente en zonas interiores.
  - Solo en condiciones de valor límite industrial de clase A de CEM
- No utilice el control de aprietatuercas
  - en zonas peligrosas.
  - en salas húmedas / zonas exteriores.

### 2 Condiciones ambientales

- Mantenga el control de aprietatuercas alejado de focos de calor, fuego, riesgo de explosión y humedad.

Función	Temperatura	Humedad Relativa	Altura de trabajo
Transporte/almacenamiento	De -25 °C a +70 °C (de -13 °F a +158 °F)	0...90 % sin condensación	hasta 3000 m (9800 ft) sobre el nivel del mar
Funcionamiento	De 0 °C a +45 °C (de +32 °F a +113 °F)		

### 3 Conexión requerida para el suministro eléctrico

- Debe utilizarse únicamente en una red equipada con puesta a tierra (red TN). El funcionamiento en conexión con una red IT es inadmisibles.

Control de aprietatuercas	Voltaje de entrada, monofásico	Frecuencia	Corriente de entrada 16 A máx.
mPro400GC-P	115 V CA (104-126 V CA) 230 V CA (207-254 V CA)	50-60 Hz	2 A 1 A
mPro400GC-P230	230 V CA (207-254 V CA)		1 A
mPro400GC-S	115 V CA (104-126 V CA) 230 V CA (207-254 V CA)		2 A 1 A
mPro400GC-S230	230 V CA (207-254 V CA)		1 A
mPro400GC-M	115 V CA - 230 V C (104-254 V CA)		1 A - 0,5 A
mPro400GC-E	115 V CA (104-126 V CA) 230 V CA (207-254 V CA)		2 A 1 A
mPro400GC-I	115 V CA (104-126 V CA) 230 V CA (207-254 V CA)		2 A 1 A

## 4 Instalación

Peligro de aplastamiento. El control del aprietatuercas puede caer y aplastarle los pies.

- Utilice un equipo de elevación adecuado.
- Use calzado de seguridad.
- Asegúrese de que el control del aprietatuercas tenga una estructura de montaje apropiada: 4xM6, asegurado contra aflojamiento (consulte la Descripción del hardware P2174HW).
- Tienda de forma segura todos los conductos y cables conectados, de modo que no resulten dañados y nadie pueda tropezar con ellos.
- No supere una longitud de cable total de 20 m (65,6 ft). Si es mayor, se necesita un transformador de aislamiento APEX, con número de pedido 544185PT.

En caso de interferencia, puede que se produzca una derivación de alto voltaje que ocasione lesiones, como se ha mencionado anteriormente.

- Utilice un cable de alimentación con protección. Al realizar un cambio, utilice una gestión de red conforme a las normas.
- A 115 V CA: utilice cables con sección más grande.
- Establezca una conexión equipotencial entre la máquina / pieza de trabajo y la herramienta.
- Antes de conectar la alimentación del control del aprietatuercas, asegúrese de que se han realizado correctamente todas las conexiones (consulte la Descripción del hardware P2174W).

## 5 Antes de la primera puesta en funcionamiento

- Antes de la primera puesta en funcionamiento, realice una medición de PE de conformidad con la normativa local aplicable (en Alemania, DGUV Vorschrift 3).
- Tenga en cuenta las notas de seguridad situadas sobre el control del aprietatuercas y la herramienta.
- Compruebe el control del aprietatuercas, la herramienta y el cable en busca de defectos evidentes.
- Durante el cambio, limpieza y retirada de servicio, apague y desconecte el control del aprietatuercas antes de conectar el cable de alimentación y de la herramienta.

## 6 Utilización

- Desconecte de inmediato el control de aprietatuercas en caso de percibir sonidos, vibraciones u olores extraños. Desconecte la fuente de alimentación y encargue la comprobación y la reparación, en caso necesario, del sistema de apriete a personal cualificado.
- Sustituya de inmediato cualquier cable que haya sufrido daños.

## 7 Mantenimiento

- Establezca un programa de mantenimiento de seguridad y asegúrese de que se siga. Este programa debe asegurar el cumplimiento de las normativas, la inspección y el mantenimiento en todas las fases de la vida útil del control del aprietatuercas.
- Realice una prueba del protector contra fuga a tierra con arreglo a los intervalos de tiempo marcados por la normativa local aplicable (en Alemania, DGUV Vorschrift 3).

### mPro400GC-P, mPro400GC-S

- Pulse el botón de prueba situado en el panel inferior del control del aprietatuercas.

### mPro400GC-P230, mPro400GC-S230

- Compruebe el circuito de fuga a tierra a través de la toma de *Prueba del interruptor del circuito de fuga a tierra* (consulte el manual de mantenimiento P2249WA) o
- Pulse el botón de prueba situado en el panel inferior del control del aprietatuercas.

## Instrucciones generales de seguridad de herramientas eléctricas

### ADVERTENCIA




**Lea todas las notas e instrucciones de seguridad.**

Cualquier incumplimiento de las notas e instrucciones de seguridad puede provocar una descarga eléctrica, fuego y/o lesiones graves.

**Conserve todas las notas e instrucciones de seguridad para su consulta en el futuro.**

El término "herramienta eléctrica" utilizado en las presentes instrucciones de seguridad hace referencia a una herramienta eléctrica conectada a la red de alimentación eléctrica (por medio de un cable de alimentación), así como a herramientas eléctricas alimentadas mediante baterías (sin cable de alimentación).

## 1 Seguridad en el trabajo

- a) **Mantenga la zona de trabajo limpia y bien iluminada.** Las zonas de trabajo desordenadas y/o mal iluminadas pueden provocar accidentes.
- b)  **No utilice nunca una herramienta eléctrica en un entorno explosivo, es decir, uno que contenga líquidos, gases o polvos combustibles.** Las herramientas eléctricas generan chispas que podrían prender dichos polvos y/o vapores.
- c) **Mantenga a los niños y otras personas a distancia cuando utilice la herramienta eléctrica.** Una distracción podría hacerle perder el control del dispositivo.

## 2 Seguridad eléctrica


- a) **El conector de alimentación de la herramienta eléctrica debe encajar correctamente en la toma o caja tomacorriente. No modifique en modo alguno el conector. No utilice nunca un adaptador de conexión con herramientas eléctricas con puesta a tierra.** Los conectores no modificados y las tomas o cajas tomacorriente adecuadas reducen el riesgo de descarga eléctrica.
- b) **Evite el contacto físico con las superficies conectadas a tierra, como tuberías, radiadores, cocinas y frigoríficos.** Existe un riesgo más alto de descarga eléctrica si su propio cuerpo está conectado a tierra.
- c) **Mantenga las herramientas eléctricas alejadas de la**

**lluvia y la humedad.** La entrada de agua en una herramienta eléctrica aumenta el riesgo de descarga eléctrica.

- d) **No utilice el cable de forma incorrecta, por ejemplo, para sujetar la herramienta eléctrica, colgarla o sacar el conector de la toma / caja tomacorriente. Mantenga el cable alejado de focos de calor, aceite, bordes cortantes o piezas móviles.** Los cables dañados o enredados incrementan el riesgo de descarga eléctrica.
- e) **Si está trabajando en un espacio al aire libre con una herramienta eléctrica, utilice siempre cables alargadores que sean apropiados para su uso en exteriores.** La utilización de un cable alargador adecuado para uso en exteriores reduce el riesgo de descarga eléctrica.
- f) **Si no es posible evitar el uso de una herramienta eléctrica en un entorno húmedo, utilice un dispositivo de protección diferencial.** El uso de un dispositivo de protección diferencial reduce el riesgo de descarga eléctrica.

## 3 Seguridad personal


- a) **Tenga cuidado, preste atención a lo que esté haciendo y actúe de forma razonable en todo momento cuando emplee una herramienta eléctrica. No utilice nunca una herramienta eléctrica cuando se encuentre bajo los efectos de alguna droga, alcohol o medicamento.** Una falta de atención momentánea durante la utilización de una herramienta eléctrica puede ocasionar lesiones graves.

- b)  **Utilice su equipo de protección personal (EPP) y lleve siempre gafas de protección.** En función del tipo de herramienta eléctrica y el uso que se haga de ella, la utilización de equipos de protección personal, como la máscara contra el polvo, calzado de seguridad antideslizante, casco y protecciones auditivas, puede contribuir a reducir el riesgo de lesiones.

- c) **Evite las puestas en marcha accidentales. Asegúrese de que la herramienta eléctrica esté apagada antes de conectarla a la fuente de alimentación de la red eléctrica o a una batería, cogerla o transportarla.** Si tiene el dedo puesto en el interruptor y/o el dispositivo está encendido y/o conectado a la fuente de alimentación de la red eléctrica, pueden producirse accidentes.

- d) **Retire las herramientas o llaves de montaje antes de encender una herramienta eléctrica.** Si se deja olvidada una herramienta o llave en un equipo giratorio, pueden causar lesiones.

- e) **Evite adoptar posturas físicas anómalas o inusuales. Adopte una posición firme y mantenga un equilibrio apropiado en todo momento.** Esto le permitirá tener un mejor control de la herramienta eléctrica en caso de que se produzca una situación inesperada.

- f)  **Lleve ropa adecuada. No use nunca ropa holgada ni joyas. Mantenga el cabello, la ropa y los guantes alejados de las piezas móviles.** La ropa, joyas o el pelo largo pueden quedar atrapados en las piezas móviles.

- g) **Si se pueden montar equipos de extracción y recogida de polvo, asegúrese de que estén conectados y se utilicen de forma correcta.** El uso de un extractor de polvo puede reducir los riesgos asociados al polvo.

## 4 Utilización y manejo de una herramienta eléctrica

- a) **No sobrecargue nunca el dispositivo. Use una herramienta eléctrica que sea apropiada para la tarea.** La utilización de la herramienta eléctrica correcta le permite trabajar mejor y con mayor seguridad en el rango de rendimiento especificado.

- a) **No utilice nunca una herramienta eléctrica que tenga un interruptor defectuoso.** Una herramienta eléctrica que no se puede encender y apagar es peligrosa y se debe reparar.
- b) **Extraiga el conector del control del aprietatuercas y/o el cable de la herramienta de la toma / caja tomacorriente y/o retire o desconecte la batería antes de modificar la configuración de la herramienta, cambiar accesorios o dejar de usar la herramienta.** Estas medidas de precaución evitan que la herramienta eléctrica se vuelva a poner en marcha accidentalmente.
- c) **Cuando no se estén utilizando, mantenga las herramientas eléctricas fuera del alcance de los niños. No permita que nadie que no esté familiarizado con el uso del dispositivo o no haya leído las instrucciones de utilización lo use.** Las herramientas eléctricas pueden ser peligrosas si las usan personas sin experiencia.
- d) **Trate las herramientas eléctricas con cuidado. Asegúrese de que las piezas móviles funcionan perfectamente y no se atascan. Compruebe también que no haya ninguna pieza averiada o dañada hasta el punto de que obstaculice el funcionamiento de la herramienta eléctrica. Encárguese de que las piezas dañadas sean reparadas antes de utilizar el dispositivo.** Muchos accidentes se deben al uso de herramientas eléctricas con un mantenimiento deficiente.
- e) **Mantenga las herramientas de corte limpias y afiladas.** Las herramientas de corte con bordes afilados que reciben un mantenimiento cuidadoso se atascan con menor frecuencia y son más fáciles de dirigir y manejar.
- f) **Utilice siempre herramientas eléctricas, accesorios y herramientas de impacto de conformidad con estas instrucciones. Asimismo, preste atención a las condiciones ambientales del lugar de trabajo y a la naturaleza del trabajo que se vaya a realizar.** Se pueden producir situaciones peligrosas si se utilizan herramientas eléctricas para aplicaciones distintas del uso previsto.



## 5 Servicio

- a) **Encargue siempre la reparación de las herramientas eléctricas a técnicos cualificados<sup>1)</sup> y utilice siempre piezas de repuesto originales.** Esto le permitirá asegurarse de que mantiene un estándar de seguridad elevado para su herramienta eléctrica.

## Instrucciones de seguridad específicas para el aprietatuercas eléctrico manual

### 1 Seguridad eléctrica

- a) Asegúrese de que la conexión de PE tenga una fuente de corriente baja.
- b) Use un transformador para longitudes de cable superiores a 20 m (66 ft). Máx. 50 m (164 ft).

### 2 Seguridad personal

- a) Series 18ET/EC, 48ET/EC: si se pulsa accidentalmente la tecla de arranque, el mandril (portapuntas) puede girar en la conexión de salida (por ejemplo, al dejar la herramienta). Esto podría aplastar o incluso cercenar algún dedo. No meta nunca los dedos en el mandril. Para cambiar la punta,

1. Gracias a su formación profesional, conocimientos, experiencia y comprensión de las circunstancias que rodean este tipo de trabajo, el personal con la cualificación adecuada es capaz de identificar los peligros potenciales y tomar las precauciones de seguridad apropiadas. El personal cualificado tiene la obligación de cumplir las normativas, es decir, obedecer las normas.

- primero desconecte el cable de la herramienta.
- b) La utilización de guantes está prohibida.
- c) Agarre firmemente la herramienta con la mano. Debe estar preparado para cambios rápidos del par de reacción.
- d) Al utilizar la herramienta en espacios estrechos y con pares superiores a
- 4 Nm (3 ft lbf) en herramientas rectas
  - 10 Nm (7 ft lbf) en herramientas de tipo pistola
  - 60 Nm (44 ft lbf) en herramientas de ángulo recto
- utilice siempre una barra de reacción. No coloque nunca la mano en la barra de reacción cuando esté en uso.
- e) Compruebe que el dispositivo de suspensión esté fijado adecuadamente al equilibrador.

Herramientas con escáner de código de barras integrado



Producto de láser de la clase 2

Los escáneres de láser de la clase 2 emplean un diodo de láser que genera un rayo láser de baja potencia, comparable con una fuente luminosa muy clara, p. ej. el sol.

De lo contrario, se pueden dañar los ojos.

- a) No dirija la vista directamente al rayo láser.
- b) Repare inmediatamente las averías de las piezas ópticas.
- c) Los cambios en el escáner de código de barras están prohibidos.
- d) Retire inmediatamente del servicio las herramientas defectuosas.

## 3 Utilización y manejo de un aprietatuercas eléctrico manual

- a) Utilice exclusivamente puntas de atornillado para herramientas de accionamiento mecánico.
- b) Compruebe que las puntas de atornillado encajen firmemente.
- c) No coloque la punta de atornillado en la cabeza del tornillo formando un ángulo.
- d) No utilice nunca un dispositivo de limpieza de alta presión / de chorro para limpiar la herramienta.
- e) No sumerja la herramienta en producto de limpieza.

## 4 Empleo de acuerdo con el uso previsto

Este producto forma parte del sistema de apriete de APEX y está concebido exclusivamente para apretar y soltar sujeciones roscadas.

→ Debe utilizarse únicamente junto con un control de la serie mPro400GC, los accesorios y el cable de herramientas suministrados por Apex Tool Group.

→ No se debe utilizar a modo de martillo ni para redoblar.

→ No abra ni modifique el diseño.

→ No se debe emplear en lugares en los que exista riesgo de explosión.

## 5 Condiciones ambientales

Función	Temperatura	Humedad Relativa	Altura de trabajo
Transporte/almacenamiento	De -25 °C a +70 °C (de -13 °F a +158 °F)	0...90 % sin condensación	hasta 3000 m (9800 ft) sobre el nivel del mar
Funcionamiento	De 0 °C a +45 °C (de +32 °F a +113 °F)		

## 2 Piezas suministradas, transporte/almacenamiento:

### Pieza suministrada

Inspeccione el producto para comprobar si presenta daños de transporte y cerciórese de que coincide con el volumen del suministro:

- Producto correcto
- Manual de instrucciones
- Declaración de conformidad

### Transporte/almacenamiento

Transporte o almacene en el embalaje original. Desconecte la fuente de alimentación eléctrica durante el almacenamiento. El embalaje es reciclable. Consulte las Condiciones ambientales indicadas en las instrucciones de seguridad.

## 3 Descripción del producto:

### Aprieta tuercas con cable

- Motor de inercia baja sin escobillas con resolutor. La desactivación se controla por medio del par/ángulo.
- Preamplificador integrado, incluida la memoria de servicio. Autoidentificación de la herramienta cuando está conectada a un controlador.
- La pantalla LED proporciona información sobre el resultado del proceso actual.
- Rotación en sentido horario/antihorario
- El controlador establece los parámetros de apriete.
- La transmisión de datos y la alimentación se suministran entre el controlador y la herramienta por medio del cable de la herramienta.



Aprieta tuercas con cable	
Ref.	Descripción
1	Conexión de alimentación
2	Botón de arranque
3	Mecanismo de inversión
4	Anillo de indicadores LED
5	Conjunto de motor
6	Engranaje
7	Fijación

### Pantalla del anillo de indicadores LED

LED	Descripción
Luz verde fija	OK
Luz roja fija	NOK
Amarillo	Activar

## 4 Antes de la primera puesta en funcionamiento:

### Suministro eléctrico

El aprieta tuercas recibe la alimentación a través de la conexión de red con un controlador de herramienta.

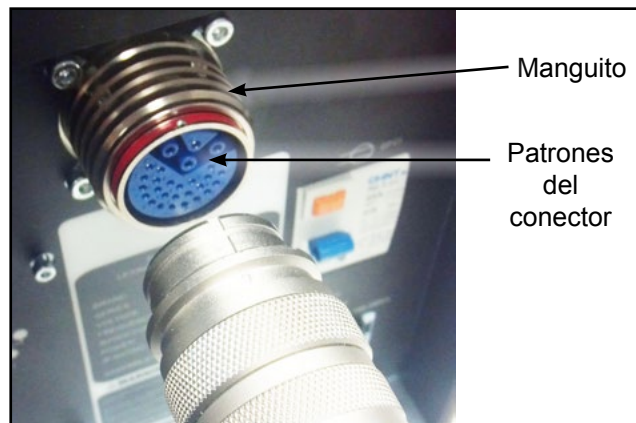
### Conexión de cable a la herramienta

Inserte el extremo del cable de conexión a la herramienta en el mango del aprieta tuercas. Alinee el saliente del conector del cable con el actuador del interruptor del mango de la herramienta. Esto permite que el saliente encaje con la ranura correspondiente del interior del mango. Enrosque el manguito del cable en el mango de la herramienta y apriételo firmemente.



### Conexión de cable al controlador

Conecte el otro extremo del cable al conector de la herramienta situado en el controlador. Asegúrese de que el manguito del conector de la herramienta del controlador esté embutido hacia el controlador. Alinee los patrones del conector del cable de la herramienta y el conector del controlador. Introduzca el conector del cable en el conector del controlador y tire del manguito hacia el cable para fijar el conector del cable en su posición.





## Controlador global mPro400GC-I

### Cables de la herramienta

Serie 48EAE	Longitud de cable		ES Descripción
	Pies	Metros	
<b>Cables fuera de la Unión Europea - Conector Air-LB</b>			
301866-XXX *	3 - 49	1 - 15	Cable de herramienta (1)
301904-XXX *	3 - 49	1 - 15	Cable pivotante: en línea (1)
301903-XXX *	3 - 49	1 - 15	Cable pivotante: en ángulo recto (1)
301877-XXX	3 - 66	1 - 20	Cable de extensión
<b>Cables de la Unión Europea - Conector Air-LB</b>			
961259-XXX **	3 - 66	1 - 20	Cable de herramienta (1)
961250-XXX **	3 - 66	1 - 20	Cable de herramienta (2)
961251-XXX **	3 - 66	1 - 20	Cable pivotante: en línea (2)
961252-XXX **	3 - 66	1 - 20	Cable pivotante: en ángulo recto (2)
961249-XXX **	3 - 66	1 - 20	Cable de extensión

\* Nota: los cables de 1 m y 2 m (3 ft y 6 ft) se deben utilizar con el cable de extensión 301877.

\*\* Nota: con la longitud de 20 m no se requiere un transformador.

(1) Durabilidad estándar

(2) Durabilidad elevada

Serie 48EA	Longitud de cable		ES Descripción
	Pies	Metros	
<b>Cables fuera de la Unión Europea - Conector Matrix</b>			
542778-XXX *	3 - 49	1 - 15	Cable de herramienta (1)
544056-XXX *	3 - 49	1 - 15	Cable pivotante: en línea (1)
544055-XXX *	3 - 49	1 - 15	Cable pivotante: en ángulo recto (1)
542779-XXX	3 - 66	1 - 20	Cable de extensión
<b>Cables de la Unión Europea - Conector Matrix</b>			
-----	-----	-----	-----
-----	-----	-----	-----
-----	-----	-----	-----
-----	-----	-----	-----
-----	-----	-----	-----

\* Nota: los cables de 1 m y 2 m (3 ft y 6 ft) se deben utilizar con el cable de extensión 542779.

(1) Durabilidad estándar

m-Pro-400GC-I  
Serie



Cable de herramienta

Se muestra el aprietatuercas en ángulo recto 48EA



Cable de herramienta

## 5 Primera puesta en funcionamiento:

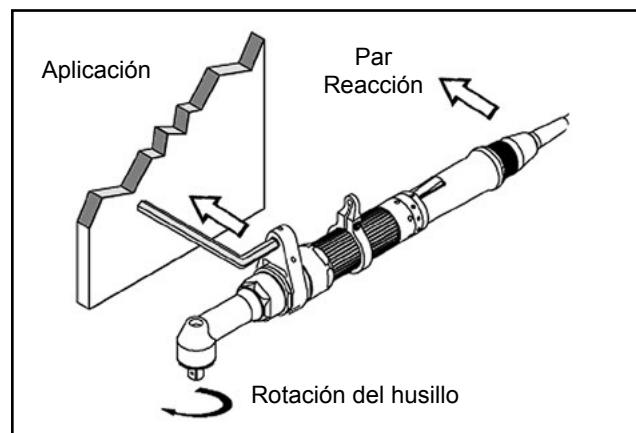
### Puesta en funcionamiento

Peligro de aplastamiento de manos.

ADVERTENCIA



→ Utilice siempre una barra de reacción de par para aplicaciones en espacios estrechos o con un par elevado: herramientas rectas (4 Nm), herramientas con empuñadura de tipo pistola (10 Nm), herramientas de ángulo recto (60 Nm).



### Ejecución de un proceso de sujeción

Los aprietatuercas de la serie 48E han sido configurados por Apex Tool Group. El ajuste para sus juntas de sujeción específicas solo lo puede realizar con el control del aprietatuercas personal cualificado<sup>1</sup>. La primera puesta en funcionamiento puede variar en función del tipo y la programación del control del aprietatuercas. Consulte el manual de programación del control del aprietatuercas.

- Asegúrese de que el cable de la herramienta esté fijado firmemente en la herramienta y el controlador.
- Asegúrese de que el controlador esté encendido y correctamente programado (consulte los manuales del controlador).
- Asegúrese de que el mecanismo de inversión esté en la posición correcta.
- Coloque el dado o la punta en la aplicación y pulse el actuador del interruptor para iniciar el proceso.
- Cuando el aprietatuercas se desactive, suelte el actuador del interruptor.
- Retire el aprietatuercas de la aplicación.

1. Se entiende por personal cualificado cualquier profesional que puede reconocer los peligros potenciales y adoptar las medidas de seguridad pertinentes gracias a su formación profesional, conocimientos y experiencia, así como por su conocimiento de las condiciones relevantes e inherentes al trabajo que se vaya a desarrollar. El personal cualificado debe respetar las normas pertinentes

## Mantenimiento

Implemente un programa de mantenimiento de seguridad integral para llevar a cabo una inspección regular de todas las fases de funcionamiento de la herramienta y del equipo de suministro de aire.

Diariamente:

- Realizar inspección visual de todos los cables y conexiones
- Realizar inspección visual de todos los componentes externos de la herramienta
- Comprobar si hay vibraciones excesivas o ruidos extraños en la herramienta

Al cabo de, aproximadamente, 100.000 atornillados:

- Comprobar si el cable de la herramienta presenta daños o desgaste
- Comprobar si la conexión del cable de la herramienta tiene un ajuste firme
- Comprobar si el husillo de salida presenta daños o desgaste
- Comprobar la velocidad libre máxima

Al cabo de, aproximadamente, 500.000 atornillados:

- Desmontar la herramienta, comprobar todas las piezas en busca de daños o desgaste y sustituirlas si es necesario
- Limpiar y lubricar el cabezal angular, los engranajes y los rodamientos del motor
- Si el aparato dispone de uno: recalibrar el transductor

Al cabo de, aproximadamente, 1.000.000 atornillados:

- Desmontar la herramienta, comprobar todas las piezas en busca de daños o desgaste y sustituirlas si es necesario
- Limpiar y lubricar el cabezal angular, los engranajes y los rodamientos del motor
- Si el aparato dispone de uno: recalibrar el transductor

## Lubricantes

La aplicación de la herramienta de montaje es lo que determinará la frecuencia de engrase. Todos los engranajes deben recibir una abundante cantidad de grasa durante cada intervalo de servicio.

N.º de pieza	Empacado	Grasa
540395	2 oz. (0.06 kg)	Magnalube-G
513156	16 oz. (0.45 kg)	Magnalube-G
541444	2 oz. (0.06 kg)	Rheolube 363AX-1
541445	16 oz. (0.45 kg)	Rheolube 363AX-1



## 6 Localización de fallos:

Funcionamiento incorrecto	Posible causa	Solución
La herramienta no se pone en marcha	Interruptor de arranque defectuoso	→ Sustituya el interruptor de arranque
	Ninguna velocidad (1/min) programada	→ Programe una velocidad para todas las etapas activas
	El controlador espera la activación de la herramienta	→ Active la entrada <i>Liberación</i> o, si no se requiere, desactive <i>Liberación</i>
	Cable defectuoso	→ Repare o sustituya el cable
	Pines doblados en el cable o la herramienta	→ Enderece los pines de contacto o sustituya el conector defectuoso
	No se reconocen los datos de autoidentificación tras el cambio de herramienta	→ Vuelva a aceptar <i>Datos</i> (Program herram.)
No suena la señal acústica después de la conexión del cable de la herramienta	Software incorrecto	→ Compruebe el software del controlador / software de la tarjeta de medición
	Cable defectuoso	→ Sustituya el cable
	Herramienta defectuosa	→ Cambie la herramienta
La herramienta no arranca con el giro en sentido antihorario activado	Con el giro en sentido antihorario, el parámetro de velocidad está ajustado a 0 1/min.	→ Programe una velocidad para el giro en sentido antihorario
La herramienta arranca en la dirección de apriete, pero no en el giro en sentido antihorario	No hay ninguna velocidad programada para el giro en sentido antihorario	→ Programe una velocidad para el giro en sentido antihorario
	Conmutador del sentido de rotación defectuoso	→ Sustituya el conjunto del interruptor de arranque / conmutador del sentido de rotación
	Cable defectuoso	→ Repare o sustituya el cable
	Pines doblados en el cable o la herramienta	→ Enderece los pines de contacto o sustituya el conector defectuoso
La herramienta se desactiva al par deseado, pero sin indicador de ángulo	El momento umbral es demasiado alto	→ Corrija la secuencia de apriete o reduzca el valor del momento umbral
La herramienta se desactiva antes de tiempo	El operador suelta el interruptor de arranque antes de que el control detenga la herramienta	→ Asegúrese de que el operador mantenga pulsado el interruptor de arranque durante toda la secuencia.
	El tiempo de control es 10 segundos superior al tiempo estándar.	→ Incremente el tiempo de control
	La herramienta supera la cantidad nominal de ángulo	→ Compruebe la secuencia de apriete para asegurarse de que el valor de corte del par y la cantidad nominal de ángulo son correctos. Realice los ajustes que sean necesarios. Compruebe si la unión de apriete ha cambiado considerablemente.
La herramienta no cambia de velocidad	La velocidad es la misma en todas las etapas	→ Asegúrese de que la velocidad y el ángulo de cambio en las etapas sean correctos.
Los LED de la herramienta empiezan a parpadear cuando se acciona el conmutador del sentido de rotación	Se trata de una función normal que está definida en los parámetros predeterminados.	→ Active o desactive la casilla de verificación <i>Parpadeo de LEDs en marcha izq.</i>
Aviso en la PANTALLA TRABAJO: <i>Offset Transductor 1/2 NOK</i>	El transductor no vuelve a un valor cero del par.	→ El transductor ha sufrido una sobrecarga y debe ser sustituido
	El cableado de la herramienta o los cables está defectuoso	→ Compruebe la herramienta con un cable distinto. Los valores de offset y calibración se pueden comprobar en el menú <i>Diagnóstico</i> .
Aviso en la PANTALLA TRABAJO: <i>Herramienta desconectada</i>	No se ha aceptado la herramienta en <i>Configuración de herramienta</i>	→ Compruebe el menú <i>Lista herram.</i> para asegurarse de que la herramienta ha sido aceptada. Si no ha sido aceptada, en el estado aparecerá <i>Se requiere aceptación manual</i> . Se debe marcar la línea correcta antes de que se pueda aceptar el ajuste en el menú <i>Configuración de herramienta</i> .
	Un cable defectuoso impedirá que el control del aprietatuercas reconozca la herramienta.	→ Repare o sustituya el cable
Aparecen pares distintos en el control y en el transductor externo	Se debe ajustar el factor de calibración del par (Par cal.) en <i>Configuración de herramienta</i> .	→ Ajuste Par cal. ( <i>Configuración de herramienta</i> ) por medio de la fórmula siguiente: Valor de calibración nuevo = (valor externo / valor de la herramienta) x valor de calibración usado
	Se ha añadido a la herramienta una fijación de ángulo del cliente. Se debe actualizar la memoria de la herramienta.	→ Reprograme la memoria de la herramienta
El cable de la herramienta no encaja en la empuñadura de la herramienta	Cable erróneo. Las herramientas utilizadas con el control del aprietatuercas mPro400GC usan un conector Air-LB. El conector tiene un tamaño diferente al conector Matrix que se usaba anteriormente.	→ Utilice el cable adecuado para la herramienta empleada.

## 7.1 Datos de rendimiento de la serie 48E:

### Aprieta tuercas con control de corriente de la serie 48E - Conector Air-LB de la herramienta \*

Número de modelo	Gama de herramientas				Velocidad máx. (1/min)	Longitud		Peso		Altura de cabezal		Lateral a centro		Tamaño de conexión de salida
	Par máx.		Par mín.			in	mm	lbs	kg	in	mm	in	mm	
	lb <sub>f</sub> ·ft	Nm	lb <sub>f</sub> ·ft	Nm										
<b>Aprieta tuercas en ángulo recto de la serie 48EA**</b>														
48EAE15AL3	11.1	15	2.2	3	2855	15.7	398	3.8	1.7	1.6	41	0.59	15	3/8"
48EAE28AL3	20.7	28	4.4	6	1300	16.2	410	4.1	1.9	1.6	41	0.59	15	3/8"
48EAE41AM3	30.2	41	6.6	9	1090	17.3	440	4.3	2.0	1.9	48	0.75	19	3/8"
48EAE58AM3	42.8	58	8.9	12	770	17.3	440	4.3	2.0	1.9	48	0.75	19	3/8"
48EAE58AM4	42.8	58	8.9	12	770	17.3	440	4.3	2.0	1.9	48	0.75	19	1/2"
48EAE90AH4	64.2	87	13.3	18	515	18.5	470	6.6	3.0	2.3	58	0.81	21	1/2"
48EAE105AH4	76.7	104	15.5	21	340	18.5	470	6.6	3.0	2.3	58	0.81	21	1/2"
48EAE135MH4	98.1	133	19.9	27	265	19.1	485	7.3	3.3	2.4	61	0.94	24	1/2"
48EAE175AX6	129.8	176	26.6	36	190	21.6	549	10.2	4.6	2.7	69	1.06	27	3/4"
48EAE230AX6	169.6	230	33.9	46	145	21.6	549	10.2	4.6	2.7	69	1.06	27	3/4"
<b>Aprieta tuercas en ángulo recto con husillo flotante de la serie 48EA</b>														
48EAE37S231	27.2	37	5.9	8	1225	18.7	474	5.4	2.4	2.7	69	0.67	17	3/8"
48EAE52S231	38.3	52	8.1	11	860	18.7	474	5.4	2.4	2.7	69	0.67	17	3/8"
48EAE53S341	39.1	53	8.1	11	850	20.0	509	6.0	2.7	3.3	83	0.87	22	1/2"
48EAE75S341	55.3	75	11.0	15	600	20.0	509	6.0	2.7	3.3	83	0.87	22	1/2"
48EAE95S341	70.0	95	14.7	20	460	20.5	521	7.4	3.4	3.3	83	0.87	22	1/2"
48EAE110S341	81.1	110	16.9	23	400	20.5	521	7.4	3.4	3.3	83	0.87	22	1/2"
48EAE135S461	99.5	135	20.6	28	270	20.6	522	8.9	4.0	3.7	94	1.06	27	3/4"
48EAE230S461	169.6	230	34.6	47	150	22.2	563	10.6	4.8	3.7	94	1.06	27	3/4"
<b>Aprieta tuercas en ángulo recto con dado enrasado de la serie 48EA</b>														
48EAE37F2	27.3	37	5.9	8	1225	18.7	474	5.4	2.4	1.7	43	0.67	17	----
48EAE52F2	38.3	52	8.1	11	860	18.7	474	5.4	2.4	1.7	43	0.67	17	----
48EAE53F3	39.0	53	8.1	11	850	20.0	509	6.0	2.7	2.3	59	0.87	22	----
48EAE75F3	55.3	75	11.1	15	600	20.0	509	6.0	2.7	2.3	59	0.87	22	----
48EAE110F3	81.1	110	17.0	23	400	20.5	521	7.4	3.4	2.3	59	0.87	22	----
48EAE135F4	99.5	135	19.9	27	270	20.6	522	8.9	4.0	2.4	61	1.06	27	----
48EAE230F4	172.6	230	34.7	47	150	22.2	563	10.6	4.8	2.4	61	1.06	27	----
<b>Aprieta tuercas en ángulo recto de la serie 48EA</b>														
48EAE53H	39.8	54	8.1	11	850	20.2	512	7.9	3.6	2.4	61	1.06	27	----
48EAE75H	56.8	77	11.1	15	600	20.2	512	7.9	3.6	2.4	61	1.06	27	----
48EAE110H	85.6	115	17.0	23	400	20.2	512	8.9	4.0	2.4	61	1.06	27	----
48EAE135H	101.8	135	20.7	28	270	20.6	522	8.9	4.0	2.4	61	1.06	27	----
48EAE230H	169.6	230	34.7	47	150	22.2	563	10.6	4.8	2.4	61	1.06	27	----
<b>Aprieta tuercas recto de la serie 48EC</b>														
48ECE30C1	22.1	30	7.7	10	860	20.5	521	5.5	2.3	1.7	43	0.63	16	----
48ECE30C3	22.1	30	7.7	10	860	20.5	521	5.5	2.3	1.6	40	0.63	16	----
<b>Aprieta tuercas con empuñadura de tipo pistola de la serie 48EP**</b>														
48EPE12Q	8.9	12	2.2	3	4000	8.3	211	2.7	1.2	----	----	0.84	21	Hex. 1/4"
48EPE12D2	8.9	12	2.2	3	4000	7.7	196	2.7	1.2	----	----	0.84	21	1/4"
48EPE25D3	18.4	25	4.4	6	1820	8.4	213	2.9	1.3	----	----	0.84	21	3/8"
48EPE36D3	26.6	36	5.9	8	1290	8.4	213	2.9	1.3	----	----	0.84	21	3/8"
48EPE48D3	35.4	48	7.4	10	985	8.6	218	3.0	1.4	----	----	0.84	21	3/8"
48EPE65D4	47.9	65	9.6	13	750	10.8	274	5.0	2.3	----	----	0.91	23	1/2"
48EPE90D4	66.4	90	14.0	19	510	11.3	287	5.3	2.4	----	----	0.91	23	1/2"
48EPE125D4	92.2	125	19.2	26	360	11.3	287	5.3	2.4	----	----	0.91	23	1/2"
48EPE150D4	110.6	150	22.9	31	240	11.3	287	5.3	2.4	----	----	0.91	23	1/2"
48EPE200D6	144.0	195	22.0	125	180	16.2	410	9.5	4.3	----	----	1.13	29	3/4"
48EPE500D6	368.0	500	225.0	300	53	16.2	410	9.8	4.5	----	----	1.13	29	3/4"
48EPE1000D8	740.0	1000	370.0	500	33	19.2	486	16.2	7.3	----	----	1.50	38	1"

\* Nota: Conector Matrix de la herramienta - especificaciones son idénticas.

\*\* Nota: los modelos mostrados son de retenedor de pasador. Las especificaciones de los modelos de retenedor de bola (terminación I) son las mismas.

## 7.1 Datos de rendimiento de la serie 48E (continuado):

### Aprietatuercas con control de corriente de la serie 48E - Conector Air-LB de la herramienta

Número de modelo	Gama de herramientas				Velocidad máx. (1/min)	Longitud		Peso		Altura de cabezal		Lateral a centro		Tamaño de conexión de salida
	Par máx.		Par mín.			in	mm	lbs	kg	in	mm	in	mm	
	lb <sub>p</sub> ×ft	Nm	lb <sub>p</sub> ×ft	Nm										
<b>Aprietatuercas recto de la serie 48ES **</b>														
48ESE12Q	8.9	12	2.2	3	4000	13.5	343	3.0	1.4	---	---	0.91	23	Hex. 1/4"
48ESE12D2	8.9	12	2.2	3	4000	13.0	330	3.0	1.4	---	---	0.91	23	1/4"
48ESE25D3	18.4	25	4.4	6	1820	13.6	345	3.2	1.5	---	---	0.91	23	3/8"
48ESE36D3	26.6	36	5.9	8	1290	13.6	345	3.2	1.5	---	---	0.91	23	3/8"
48ESE48D3	35.4	48	7.4	10	985	13.8	351	3.3	1.5	---	---	0.91	23	3/8"
48ESE65D4	47.9	65	9.6	13	750	16.6	420	5.3	2.4	---	---	1.13	29	1/2"
48ESE90D4	66.4	90	14.0	19	510	17.1	435	5.6	2.5	---	---	1.13	29	1/2"
48ESE125D4	92.2	125	19.2	26	360	17.1	435	5.6	2.5	---	---	1.13	29	1/2"
48ESE150D4	110.6	150	22.9	31	240	17.1	435	5.6	2.5	---	---	1.13	29	1/2"
<b>Aprietatuercas recto con husillo flotante de la serie 48ES</b>														
48ESE12ZA	8.9	12	2.2	3	4000	16.7	425	3.4	1.5	---	---	0.91	23	1/4"
48ESE271ZB	19.9	27	5.9	8	1820	22.0	559	5.8	2.6	---	---	0.92	23	3/8"
48ESE361ZB	26.6	36	5.2	7	1290	22.0	559	5.8	2.6	---	---	0.92	23	3/8"
48ESE602ZB	42.0	57	8.1	11	855	24.4	620	8.4	3.8	---	---	1.10	28	1/2"
48ESE702ZB	50.2	68	10.3	14	570	24.4	620	8.4	3.8	---	---	1.10	28	1/2"
48ESE802ZB	60.5	82	12.5	17	450	26.7	678	9.6	4.4	---	---	1.10	28	1/2"
48ESE1152ZB	84.8	115	18.4	25	320	26.7	678	9.6	4.4	---	---	1.10	28	1/2"
48ESE1502ZB	110.6	150	22.9	31	245	26.7	678	9.6	4.4	---	---	1.10	28	1/2"
48ESE1653ZB	121.7	165	24.3	33	220	28.6	726	14.6	6.6	---	---	1.57	40	3/4"
48ESE2503ZB	182.9	548	36.8	50	145	28.6	726	14.6	6.6	---	---	1.57	40	3/4"
<b>Aprietatuercas recto de la serie 48ET</b>														
48ETE20T2	14.8	20	7.4	10	1425	16.9	430	4.4	2.0	---	---	0.78	20	1/2"
48ETE30T3	22.1	30	11.1	15	1030	16.6	422	4.5	2.0	---	---	0.83	21	3/4"
48ETE40T4	29.5	40	14.8	20	770	17.9	454	5.3	2.3	---	---	1.18	30	1-1/16"

\* Nota: Conector Matrix de la herramienta - especificaciones son idénticas.

\*\* Nota: los modelos mostrados son de retenedor de pasador. Las especificaciones de los modelos de retenedor de bola (terminación I) son las mismas.

## 7.2 Memoria de la herramienta de la serie 48E:

Aprietatuercas con control de corriente de la serie 48E - Conector Air-LB de la herramienta

Número de modelo	Velocidad máx. [1/min]	torsión máxima [Nm]	calibración de torque [Nm]	tipo de transductor	ángulo de calibración [PPD]	factor de corriente estática [Nm/A]
<b>Aprietatuercas en ángulo recto de la serie 48EA**</b>						
48EAE15AL3	2855	15	17.9794	542846-12	29.8662	0.6929
48EAE28AL3	1300	28	42.8072	542846-31	65.6023	1.4458
48EAE41AM3	1090	41	50.9609	542846-31	78.0980	1.7212
48EAE58AM3	770	58	77.2838	542846-48	110.2015	2.4287
48EAE58AM4	770	58	77.2838	542846-48	110.2015	2.4287
48EAE90AH4	515	87	158.3540	542846-100	165.6771	3.6514
48EAE105AH4	340	104	156.6510	542846-100	248.0254	5.4662
48EAE135MH4	265	133	199.7300	542846-100	316.2324	6.9694
48EAE175AX6	190	176	231.2227	542846-40	441.5931	9.2456
48EAE230AX6	145	230	228.7037	542846-40	575.9910	12.0595
<b>Aprietatuercas en ángulo recto con husillo flotante de la serie 48EA</b>						
48EAE37S231	1225	37	45.8648	542846-31	70.2893	1.5491
48EAE52S231	860	52	69.5554	542846-48	99.1829	2.1859
48EAE53S341	850	53	65.5212	542846-31	100.4132	2.2130
48EAE75S341	600	75	99.3649	542846-48	141.6898	3.1226
48EAE95S341	460	95	98.2031	542846-48	185.5462	4.0892
48EAE110S341	400	110	203.5980	542846-100	213.0167	4.6946
48EAE135S461	270	135	201.4084	542846-100	318.8948	7.0280
48EAE230S461	150	230	297.2863	542846-40	567.7714	11.8873
<b>Aprietatuercas en ángulo recto con dado enrasado de la serie 48EA</b>						
48EAE37F2	1225	37	45.8648	542846-31	70.2893	1.5491
48EAE52F2	860	52	69.5554	542846-48	99.1829	2.1859
48EAE53F3	850	53	65.5212	542846-31	100.4132	2.2130
48EAE75F3	600	75	99.3649	542846-48	141.6898	3.1226
48EAE110F3	400	110	203.5980	542846-100	213.0167	4.6946
48EAE135F4	270	135	201.4084	542846-100	318.8948	7.0280
48EAE230F4	150	230	297.2863	542846-40	567.7714	11.8873
<b>Aprietatuercas en ángulo recto de la serie 48EA</b>						
48EAE53H	850	54	65.5212	542846-31	100.4132	2.2130
48EAE75H	600	77	99.3649	542846-48	141.6898	3.1226
48EAE110H	400	115	203.5980	542846-100	213.0167	4.6946
48EAE135H	270	135	201.4084	542846-100	318.8948	7.0280
48EAE230H	150	230	297.2863	542846-40	567.7714	11.8873
<b>Aprietatuercas recto de la serie 48EC</b>						
48ECE30C1	860	30	49.1424	542846-48	99.1829	1.5444
48ECE30C3	860	30	49.1424	542846-48	99.1829	1.5444
<b>Aprietatuercas con empuñadura de tipo pistola de la serie 48EP **</b>						
48EPE12Q	4000	12	13.9592	542846-12	21.3330	0.5379
48EPE12D2	4000	12	13.9592	542846-12	21.3330	0.5379
48EPE25D3	1820	25	33.2354	542846-31	46.8588	1.1225
48EPE36D3	1290	36	37.8018	542846-36	66.1209	1.5840
48EPE48D3	985	48	49.8132	542846-48	86.5869	2.0742
48EPE65D4	750	65	70.3865	542846-12	113.2308	2.7124
48EPE90D4	510	90	111.9428	542846-31	166.1383	3.7809
48EPE125D4	360	125	127.3235	542846-36	234.4323	5.3350
48EPE150D4	240	150	190.6085	542846-36	350.9548	7.9868
48EPE200D6	178	200	282.9741	542846.12	479.1795	10.9048
48EPE500D6	53	500	903.0329	542846-12	1609.6500	34.7997
48EPE1000D8	33	1000	1449.6660	542846-12	2584.0198	55.8650

\* Nota: Conector Matrix de la herramienta - especificaciones son idénticas.

\*\* Nota: los modelos mostrados son de retenedor de pasador. Las especificaciones de los modelos de retenedor de bola (terminación B) son las mismas.

## 7.2 Memoria de la herramienta de la serie 48E (continuado):

Aprietatuercas con control de corriente de la serie 48E - Conector Air-LB de la herramienta

Número de modelo	Velocidad máx. [1/min]	torsión máxima [Nm]	calibración de torque [Nm]	tipo de transductor	ángulo de calibración [PPD]	factor de corriente estática [Nm/A]
<b>Aprietatuercas recto de la serie 48ES **</b>						
48ESE12Q	4000	12	13.9592	542846-12	21.3330	0.5379
48ESE12D2	4000	12	13.9592	542846-12	21.3330	0.5379
48ESE25D3	1820	25	33.2354	542846-31	46.8588	1.1225
48ESE36D3	1290	36	37.8018	542846-36	66.1209	1.5840
48ESE48D3	985	48	49.8132	542846-48	86.5869	2.0742
48ESE65D4	750	65	70.3865	542846-12	113.2308	2.7124
48ESE90D4	510	90	111.9428	542846-31	166.1383	3.7809
48ESE125D4	360	125	127.3235	542846-36	234.4323	5.3350
48ESE150D4	240	150	190.6085	542846-36	350.9548	7.9868
<b>Aprietatuercas recto con husillo flotante de la serie 48ES</b>						
48ESE12ZA	4000	12	13.9592	542846-12	21.3333	0.5379
48ESE271ZB	1820	27	33.2354	542846-31	46.8595	1.1225
48ESE361ZB	1290	36	37.8018	542846-36	66.1219	1.5840
48ESE602ZB	855	57	103.2743	542846-100	99.4078	2.3813
48ESE702ZB	570	68	102.1637	542846-100	148.8176	3.5649
48ESE802ZB	450	82	153.7513	542846-40	188.3146	4.2855
48ESE1152ZB	320	115	150.7974	542846-40	264.9600	6.0298
48ESE1502ZB	245	150	149.1546	542846-40	345.6000	7.8649
48ESE1653ZB	220	165	376.0907	542846-100	381.0632	8.6720
48ESE2503ZB	145	548	372.0461	542846-100	570.4674	12.9823
<b>Aprietatuercas recto de la serie 48ET</b>						
48ETE20T2	1425	20	35.9914	542846-17	59.7333	0.9790
48ETE30T3	1030	30	49.8343	542846-17	82.7077	1.3556
48ETE40T4	770	40	66.4457	542846-17	110.2769	1.8075

\* Nota: Conector Matrix de la herramienta - especificaciones son idénticas.

\*\* Nota: los modelos mostrados son de retenedor de pasador. Las especificaciones de los modelos de retenedor de bola (terminación B son las mismas.

## Para este manual de instruções

A língua original deste manual de instruções é o inglês. Este manual de instruções é direcionado a todas as pessoas que irão operar e fazer a manutenção deste equipamento.

Este manual de instruções tem os seguintes objetivos:

- Fornece instruções importantes para uma operação segura e eficiente.
- Descreve o funcionamento e operação deste equipamento.
- Serve como guia de referência para dados técnicos, intervalos de manutenção e pedidos de peças de reposição.
- Fornece informações a respeito de equipamentos opcionais.

### Símbolos no texto:

- Identifica instruções a serem seguidas.
- Identifica uma lista.
- <.> Indica um número de referência de imagens de peças expandidas.

**Negrito** Indica uma característica ou instrução importante.

OK Okay (aceitável)

NOK Não okay (não aceitável)

### Gráfico de identificação:

- Indica um movimento direcional.
- ↓ Indica uma função ou força.

### Proteção dos direitos autorais:

Apex Tool Group, LLC, reserva-se o direito de modificar, complementar ou melhorar o presente documento ou o produto sem aviso prévio. O presente documento não pode ser reproduzido de nenhuma forma, em seu todo ou parcialmente, ou copiado para outra linguagem de leitura natural ou por máquina ou para um suporte de dados, seja eletrônico, mecânico, ótico ou outro, sem a autorização expressa por escrito da Apex Tool Group, LLC.

## 1 Segurança:

### Avisos e instruções

As indicações de aviso são identificadas por uma palavra sinalizadora e um símbolo.

- A palavra sinalizadora indica a severidade e probabilidade do perigo iminente.
- O símbolo descreve o tipo de perigo.

#### ATENÇÃO



Indica uma situação potencialmente **perigosa** para a saúde e a segurança. Se este aviso não for observado, morte ou lesões graves podem ocorrer.

#### CUIDADO



Indica uma situação potencialmente **perigosa** que, se não evitada, pode resultar em lesão de leve a moderada ou danos materiais ou ambientais.



**OBSERVAÇÃO GERAL** identifica informações úteis que podem incluir orientações de aplicação mas não situações perigosas.

### Símbolos no produto

Assegure-se de compreender seu significado antes de usar este equipamento.



**Eletricidade:** Indica uma situação potencialmente **perigosa** para a saúde e segurança. A não observação dessas instruções operacionais e de segurança pode resultar em choques elétricos, queimaduras ou lesões graves.



Leia todas as instruções.



Observe e siga todas as diretrizes locais para descarte de quaisquer componentes deste equipamento e sua embalagem.



Segue normas CE



Conformidade Eurásia



## Instruções Gerais de Segurança do Sistema de Aperto

---

**ATENÇÃO** Risco de choque elétrico. Contato com voltagem principal e 320 VDC.



Em caso de falha, o controle da parafusadeira de porcas e a ferramenta podem causar choque elétrico acidental. Um choque elétrico pode levar a parada cardíaca, parada respiratória, queimaduras e lesões graves ou morte.

→ Coloque o sistema de fixação em funcionamento apenas após ter lido e compreendido completamente as instruções de segurança a seguir.

A não observação dessas instruções pode resultar, além das lesões mencionadas acima, danos ao controle da parafusadeira de porcas e a perda da vigência da garantia.

---

### 1 Observações para o operador do sistema

Estas instruções de segurança podem não ser completas. Têm de ser obrigatoriamente seguidas na instalação todas as normas nacionais, regionais e locais e os padrões de conexões elétricas. Tais normas e padrões prevalecem sobre toda a informação apresentada nessa seção.

Estas instruções de segurança têm de estar sempre acessíveis ao operador. As instruções devem ser mostradas e disponibilizadas a todo o pessoal envolvido na utilização e reparo do equipamento.

### 2 Instrução dos utilizadores

Apenas funcionários qualificados e treinados devem instalar, ajustar ou testar o controle da parafusadeira de porcas. Os funcionários devem ser orientados por equipes qualificadas<sup>1)</sup> da APEX.

O controle da parafusadeira de porcas é pré-ajustado pela APEX. Um ajuste para suas necessidades específicas de aparafusamento de junta deve ser realizado com o controle da parafusadeira de porcas por funcionário qualificado<sup>1)</sup>. Para mais informação, consulte o manual de programação.

### 3 Utilização conforme a destinação

O sistema de aperto APEX é direcionado apenas para uso industrial em processos de fixação.

→ Use o sistema de aperto apenas sob as seguintes condições:

- uso apenas em ambientes fechados
- apenas em valor EMC industrial limite de classe A

### 4 Equipamento de proteção pessoal

Risco de lesão por enroscamento ou aprisionamento por maquinário:

- Ao trabalhar com peças em rotação, é proibido o uso de luvas.
- Use roupas justas.
- Se necessário, use uma rede para cabelo.

Risco de lesão por componentes ejetados:

- Use óculos de proteção.

### 5 Local de trabalho

- Mantenha seu local de trabalho sempre limpo e organizado.
- Assegure-se que haja espaço suficiente na área de trabalho.
- Permaneça alerta, preste atenção no que estiver fazendo e use bom senso na operação da parafusadeira de

porcas. Nunca use a ferramenta enquanto cansado ou sob influência de drogas, álcool ou medicamentos. Um momento desatenção durante a operação do controle da parafusadeira de porcas pode resultar em graves pessoais.

### 6 Operação

- Caso o fusível terra desconecte o sistema, corrija a causa da sobre corrente antes de continuar a operação.
- Nunca tire o plugue da tomada.
- Mantenha o cabo afastado de calor, óleo, arestas vivas ou peças em movimento.
- Substitua imediatamente cabos danificados.

### 7 Limpeza

- Limpe a ferramenta elétrica e o controle da parafusadeira de porcas apenas pelo lado de fora com um pano úmido.
- Não use lavadora de pressão.

### 8 Descarte

Os componentes e materiais auxiliares do controle da parafusadeira de porcas apresentam riscos para a saúde e ao ambiente.

- Separe os componentes da embalagem e classifique-os antes de descartá-los.
- Devolva a ferramenta e o controle da parafusadeira de porcas com defeito para o setor de coleta da sua empresa ou para um Centro de Serviço e Vendas.
- Siga as regulamentações locais aplicáveis.



Observe as diretrizes de descarte tais como, na Alemanha, a portaria de Equipamentos Elétricos e Eletrônicos (ElektroG) e a portaria de Baterias (Battg):

- Baterias recarregáveis gastas devem ser descartadas. Devolva baterias com defeito para o setor de coleta da sua empresa ou para um Centro de Serviço e Vendas.

---

1. É considerado pessoal qualificado aquele que pode reconhecer possíveis perigos e instituir as medidas de segurança apropriadas, graças a treinamento profissional, conhecimento e experiência, bem como à compreensão das principais condições relacionadas ao trabalho a ser realizado. O pessoal qualificado deve observar as regras

## Instruções Gerais de Segurança do Controle

→ Não modifique o controle da parafusadeira de porcas, qualquer proteção ou acessório, exceto se aprovado por escrito pela Apex Tool Group LLC.

→ Não tente abrir o controle da parafusadeira de porcas ou os componentes do controle. Seja para solucionar problemas ou para realizar trabalhos na unidade. Qualquer interferência pode causar erros, resultando em graves lesões por choque elétrico.

Operar um controle aberto pode causar;

- emissões elevadas: outros equipamentos podem ser afetados.
  - imunidade reduzida: o controle da parafusadeira de porcas pode gerar resultados errados.
  - A abertura do controle da parafusadeira de porcas anula a garantia vigente.
- Envie o controle completo da parafusadeira de porcas para reparo no Centro de Serviço e Vendas.

### 1 Utilização conforme a destinação

Este produto é parte do sistema de aperto APEX e é direcionado apenas para uso industrial em processos de fixação.

→ Use o controle da parafusadeira de porcas apenas sob as seguintes condições:

- Em conjunto com ferramentas APEX.
    - Ferramentas com fio
    - Ferramentas sem fio LiveWire EC
    - Parafusadeira de porcas integrada
  - Com os acessórios e cabos aprovados APEX.
  - Na voltagem de alimentação permitida.
  - Exclusivamente na taxa para a parafusadeira de porcas.
  - Usando o comprimento de cabo máximo aprovado.
  - Uso apenas em ambientes fechados.
  - Apenas em valor EMC industrial limite de classe A
- Não use o controle da parafusadeira de porcas
- em áreas perigosas.
  - em ambientes úmidos / externos.

### 2 Condições ambientais

→ Mantenha o controle da parafusadeira de porcas afastado do calor, fogo, risco de explosão e umidade.

### 3 Conexão de fonte de energia requerida

Função	Temperatura	Umidade relativa	Altura de funcionamento
Transporte / Armazenamento	-13°F a +158°F (-25°C a +70°C)	0...90% sem condensação	até 9800 pés (3000 m) acima do nível do mar
Operação	+32°F a +113°F (0°C a +45°C)		

→ Opere apenas em rede aterrada (rede TN). A operação em conexão com uma Rede IT não é admissível.

Controle de parafusadeira de porcas	Voltagem de entrada, Fase Única	Frequência	Corrente de Entrada 16 A máx.
mPro400GC-P	115 VAC (104-126 VAC) 230 VAC (207-254 VAC)	50-60	2 A
mPro400GC-P230	230 VAC (207-254 VAC)		1 A
mPro400GC-S	115 VAC (104-126 VAC) 230 VAC (207-254 VAC)		2 A
mPro400GC-S230	230 VAC (207-254 VAC)		1 A
mPro400GC-M	115 VAC - 230 VAC (104-254 VAC)		1 A - 0,5 A
mPro400GC-E	115 VAC (104-126 VAC) 230 VAC (207-254 VAC)		2 A
mPro400GC-I	115 VAC (104-126 VAC) 230 VAC (207-254 VAC)		1 A
			2 A
			1 A

### 4 Instalação

Perigo de esmagamento. O controle da parafusadeira de porcas pode cair e esmagar seus pés.

- Use equipamento de elevação adequado.
- Use calçados de proteção.
- Confirme a montagem segura do controle da parafusadeira de porcas: 4xM6, segura contra desprendimento (veja Descrição de Hardware P2174HW).
- Instale todos os cabos conectados e linha de forma segura, de modo que não sejam danificados e ninguém tropece neles.
- Não exceda o comprimento máximo do cabo de 65,6 pés (20 m). Se for mais longo, será necessário um transformador de isolamento APEX, pedido número 544185PT.

Em caso de falha, pode haver fuga de alta tensão e lesões, como mencionado anteriormente.

- Use cabo de alimentação fechado. Ao mudar, utilize um gerenciamento de rede compatível com o padrão.
- 115 VAC: Use cabos com uma seção transversal maior.
- Estabeleça a ligação equipotencial entre a máquina/peça e a ferramenta.
- Antes de ligar o controle da parafusadeira de porcas à energia, assegure-se que todas as conexões tenham sido realizadas corretamente (veja a Descrição de Hardware P2174W).

### 5 Antes da primeira colocação em funcionamento

- Antes da operação inicial, realize a medição PE de acordo com as regulamentações locais aplicáveis (na Alemanha, DGUV Vorschrift 3).
- Veja as observações de segurança do controle da parafusadeira de porcas e da ferramenta.
- Verifique o controle da parafusadeira de porcas, a ferramenta e o cabo em busca de defeitos visíveis.
- Durante a alteração, limpeza e desligamento, desconecte o controle da parafusadeira de porcas antes de conectar o cabo de energia e da ferramenta.

### 6 Operação

- Desligue imediatamente o controle da parafusadeira de porcas em caso de ruído, vibração ou cheiro anormais. Desconecte a alimentação de energia e solicite ao pessoal qualificado verificar o sistema de aperto, consertando se necessário.
- Substitua imediatamente cabos danificados.

## 7 Manutenção

- Institua um programa de manutenção de segurança e assegure-se de que seja mantido. Este programa deve garantir a conformidade com as regulamentações, inspeção e manutenção em todas as fases da vida útil do controle da parafusadeira de porcas.
- Teste o protetor terra contra falha no intervalo de tempo de acordo com as regulamentações aplicáveis localmente (na Alemanha, DGUV Vorschrift 3).

### mPro400GC-P, mPro400GC-S

- Pressione o botão de teste localizado no painel inferior do controle da parafusadeira de porcas.

### mPro400GC-P230, mPro400GC-S230

- Verifique a fuga do terra via tomada Teste GFCI (veja manual de manutenção P2249WA) ou
- Pressione o botão de teste localizado no painel inferior do controle da parafusadeira de porcas.

## Instruções Gerais de Segurança das Ferramentas Elétricas

### ATENÇÃO




**Leia todas as observações de segurança e instruções.**

Qualquer não observação das observações de segurança e instruções pode causar choque elétrico, fogo e/ou graves lesões.

**Guarde as observações de segurança e instruções para consultas futuras.**

O termo "ferramenta elétrica" usado nas instruções de segurança se refere a uma ferramenta alimentada com eletricidade (com cabo de alimentação) e também a ferramentas elétricas operadas com bateria (sem cabo de alimentação).

## 1 Segurança do trabalho

- a) **Mantenha sua área de trabalho limpa e bem iluminada.** Desorganização ou falta de iluminação nas áreas de trabalho podem causar acidentes.
- b)  **Nunca trabalhe com sua ferramenta elétrica em ambiente explosivos, ou seja, com líquidos, gases ou poeira combustíveis.** Ferramentas elétricas criam faíscas que podem causar a ignição da poeira e/ou vapor.
- c) **Mantenha as crianças e outras pessoas afastadas ao usar a ferramenta elétrica.** Se for distraído, você pode perder o controle do dispositivo.

## 2 Segurança elétrica


- a) **O conector elétrico em sua ferramenta elétrica deve se encaixar com a tomada ou receptáculo. Não modifique o conector em nenhuma maneira. Nunca use adaptadores em conectores de ferramentas elétricas com aterramento.** Conectores não modificados e receptáculos/soquetes apropriados reduzem o risco de choque elétrico.
- b) **Evite contato físico com superfícies aterradas, tais como tubulações, radiadores, fogões e geladeiras.** Há alto risco de choque elétrico se o seu corpo for aterrado.
- c) **Proteja as ferramentas elétricas contra chuva e umidade.** A entrada de água em uma ferramenta elétrica aumenta o risco de choque elétrico.
- d) **Não use o cabo de maneira incorreta, como para carregar a ferramenta elétrica, pendurá-la ou para**

**puxar o conector para fora da tomada/receptáculo. Mantenha o cabo afastado de calor, óleo, arestas vivas ou peças em movimento.** Cabos danificados ou enrolados aumentam o risco de choque elétrico.

- e) **Se você estiver trabalhando ao ar livre com uma ferramenta elétrica, use sempre extensões apropriadas para uso externo.** O uso de extensões apropriadas para uso externo reduz o risco de choque elétrico.
- f) **Se não houver maneira de evitar a operação de uma ferramenta elétrica em um ambiente úmido ou molhado, use um Dispositivo de Proteção contra Corrente Residual.** O uso de um Dispositivo de Proteção contra Corrente Residual reduz o risco de choque elétrico.

## 3 Segurança de pessoas


- a) **Use cautela, preste atenção no que você está fazendo e aja de com sensatez em todos os momentos ao trabalhar com uma ferramenta elétrica. Nunca use uma ferramenta elétrica sob influência de drogas, álcool ou medicamentos.** Um momento de desatenção ao usar uma ferramenta elétrica pode causar sérias lesões.

- b)  **Use seu equipamento de proteção individual (EPI) e sempre use óculos de segurança.** O uso de equipamentos de proteção individual tais como uma máscara, sapatos de segurança antiderrapantes, capacete e protetores auriculares pode, dependendo do tipo e da utilização da ferramenta elétrica, ajudar a reduzir o risco de lesões.

- c) **Evite a ativação acidental. Assegure-se que a ferramenta elétrica esteja desligada antes de conectá-la à fonte de alimentação de energia ou bateria, tocá-la ou carregá-la.** Acidentes podem ocorrer se o seu dedo tocar o botão e/ou se o dispositivo estiver ligado e/ou conectado à fonte de alimentação de energia.

- d) **Remova os ajustes da ferramenta ou chaves antes de ligar a ferramenta elétrica.** Podem ocorrer lesões caso uma ferramenta ou chave for deixada em uma peça rotativa do equipamento.


- e) **Evite posturas anormais ou não usuais. Certifique-se de que você esteja em uma posição firme e mantenha o equilíbrio em todos os momentos.** Isso representa uma melhor capacidade de controlar sua ferramenta elétrica em situações inesperadas.

- f)  **Use roupas apropriadas. Nunca use roupas ou adornos soltos. Mantenha seu cabelo, roupa e luvas afastados de peças em movimento.** Roupas e joias soltas ou cabelos longos podem ficar presos nas peças em movimento.

- g) **Se aspirador de pó e equipamento de coleta podem ser instalados, assegure-se que estejam ligados e sejam utilizados corretamente.** O uso de um aspirador pode reduzir os riscos associados ao pó.

## 4 Uso e manuseio de uma ferramenta elétrica

- a) **Nunca sobrecarregue o dispositivo. Use a ferramenta elétrica certa para seu trabalho.** Usar a ferramenta elétrica correta permite que você trabalhe melhor e com mais segurança dentro de uma classe de desempenho específica.

- a) **Nunca use uma ferramenta elétrica cujo botão esteja com defeito.** Uma ferramenta elétrica que não pode ser ligada e desligada é perigosa e deve ser consertada.
- b)  **Puxe o conector do controle da parafusadeira de porcas e/ou o cabo da ferramenta da tomada/receptáculo e/ou remova ou desconecte a bateria antes de alterar ajustes da ferramenta, alterar acessórios ou guardar a ferramenta.** Essas medidas de precaução impedem que a ferramenta elétrica seja religada acidentalmente.
- c) **Quando fora de uso, mantenha as ferramentas elétricas fora do alcance das crianças. Não permita que ninguém use o dispositivo sem estar familiarizado com o seu funcionamento, ou sem ter lido as instruções de utilização.** Ferramentas elétricas são perigosas se usadas por pessoas inexperientes.
- d) **Trate as ferramentas elétricas com cuidado. Verifique e garanta que as peças móveis funcionem perfeitamente e não estejam entrvadas. Assegure-se também que não haja peças quebradas ou danificadas a ponto de interferir no funcionamento da ferramenta elétrica. Providencie o conserto de peças danificadas antes de voltar a usar o dispositivo.** Ferramentas elétricas mal conservadas são a causa de muitos acidentes.
- e) **Mantenha ferramentas de corte afiadas e limpas.** Ferramentas de corte bem mantidas com pontas afiadas entram com menos frequência e são mais fáceis de guiar e operar.
- f) **Sempre use ferramentas elétricas, acessórios e ferramentas de impacto em conformidade com estas instruções. Preste atenção também às condições do local de trabalho e à natureza do trabalho a ser realizado.** Situações perigosas podem surgir se ferramentas elétricas forem usadas em qualquer aplicação não regular.

**5 Assistência**

- a) **Sempre providencie o conserto de sua ferramenta elétrica por<sup>1</sup>) especialistas técnicos qualificados, e sempre use peças de reposição genuínas.** Isso irá assegurar a manutenção do alto padrão de segurança de sua ferramenta elétrica.

**Instruções de segurança específicas para Parafusadeira de Porcas Elétrica Portátil**

**1 Segurança elétrica**

- a) Assegure-se que a conexão PE tenha fonte de alimentação de baixa voltagem.
- b) Use um transformador de fonte de alimentação para cabos mais longos que 66 pés (20 m). Max. 164 pés (50 m).

**2 Segurança de pessoas**

- a) Séries 18ET/EC, 48ET/EC: se o botão Start for acionado por acidente, o mandril (suporte da broca) pode girar no eixo de saída (ex. ao apoiar a ferramenta). Isso pode esmagar ou mesmo cortar os dedos. Nunca insira seus dedos no mandril. Para trocar a broca, desconecte o cabo da ferramenta.

1. Devido à sua formação profissional, conhecimento, experiência e compreensão das circunstâncias envolvidas neste tipo de trabalho, o pessoal devidamente qualificado é capaz de identificar riscos potenciais e de dar início às devidas precauções de segurança. O pessoal qualificado é obrigado a seguir as normas, isto é, a obedecer as regras.

- b) O de luvas é proibido.
- c) Segure a ferramenta firmemente com as mãos. Esteja preparado para rápidas mudanças no torque.
- d) Ao usar a ferramenta em ambientes fechados e com torques superiores a
  - 3 pés-libra (4 Nm) para ferramentas retas
  - 7 pés-libra (10 Nm) para ferramentas de pistola
  - 44 pés-libra (60 Nm) para ferramentas de ângulo
 sempre use uma barra de reação. Quando em uso, nunca coloque as mãos sobre a barra de reação.
- e) Verifique se a suspensão de segurança está devidamente fixada ao balanceador.

Ferramentas com leitor de código de barras integrado

Produto de laser classe 2



Escaneadores a laser da classe 2 usam um diodo a laser, que produz um raio de luz de baixa potência visível, comparável com uma fonte de luz muito clara, como p.ex. o sol.

Caso contrário, poderão ser causados danos dos olhos.

- a) Não olhe diretamente para o laser.
- b) Corrija problemas nas partes óticas imediatamente.
- c) É proibido fazer alterações no leitor de código de barras.
- d) Retire de operação imediatamente as ferramentas defeituosas.

**3 Uso e manuseio de uma Parafusadeira de Porcas Elétrica Portátil**

- a) Utilize somente brocas de parafusamento para ferramentas acionadas por motor.
- b) Assegure-se que as brocas de parafusamento estejam inseridas com segurança.
- c) Não fixe brocas de parafusamento em ângulo.
- d) Nunca use alta pressão/jato para limpar a ferramenta.
- e) Não mergulhe a ferramenta em agente de limpeza.

**4 Utilização conforme a destinação**

Este produto é parte do sistema de aperto APEX e é direcionado exclusivamente para fixação e liberação de elementos de fixação rosqueados.

- Use apenas em conjunto com controle série mPro400GC, acessórios e suprimentos de cabos para ferramentas da Apex Tool Group.
- Não use como martelo ou para torção.
- Não abra ou modifique estruturalmente.
- Não use em áreas onde haja risco de explosão.

**5 Condições ambientais**

Função	Temperatura	Umidade relativa	Altura de funcionamento
Transporte / Armazenamento	-13°F a +158°F (-25°C a +70°C)	0...90% sem condensação	até 9800 pés (3000 m) acima do nível do mar
Operação	+32°F a +113°F (0°C a +45°C)		



## 2 Itens fornecidos, transporte/ armazenamento:

### Item fornecido

Confira se o produto não foi danificado no transporte e assegure-se que todos os itens foram recebidos:

- Produto correto
- Manual de instruções
- Certificado de conformidade

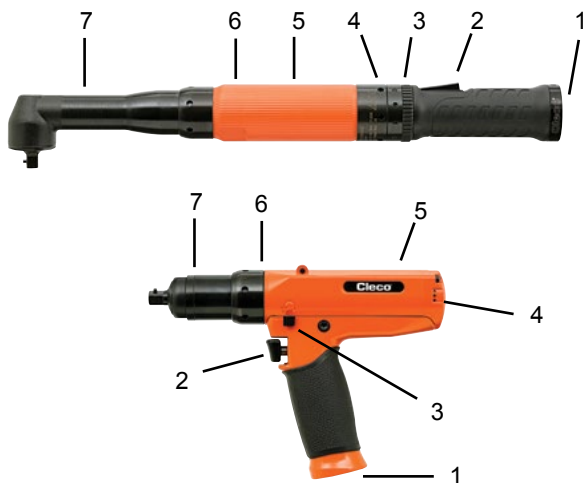
### Transporte / Armazenamento

Transporte ou armazene na embalagem original. Desconecte a fonte de energia durante o armazenamento. A embalagem pode ser reutilizada. Consulte as Condições Ambientais contidas nas instruções de segurança.

## 3 Descrição do produto:

### Parafusadeira de porcas com fio

- Motor de baixa inércia sem auto identificação. O desligamento é controlado por torque/ângulo.
- Pré-amplificador integrado, incluindo memória de serviço. Auto identificação da ferramenta quando conectada a um controle.
- Tela de LED fornece informações sobre o resultado total atual.
- Rotação em sentido horário/anti-horário
- Parâmetros de fixação definidos pelo controle.
- Transmissão de dados e potência entre controle e ferramenta realizada via cabo da ferramenta.



Parafusadeiras com fio	
Ref.	Descrição
1	Conexão de energia
2	Tecla de partida
3	Mecanismo de Reversão
4	Anel de luz de LED
5	Conjunto de motor
6	Engrenamento
7	Fixação

### Tela de LED com anel de luz

LED	Descrição
Luz verde contínua	OK
Luz vermelha contínua	NOK
Amarelo	Ativar

## 4 Antes da operação inicial:

### Fonte de alimentação

A energia é fornecida à parafusadeira de porcas em rede com um controle de ferramenta.

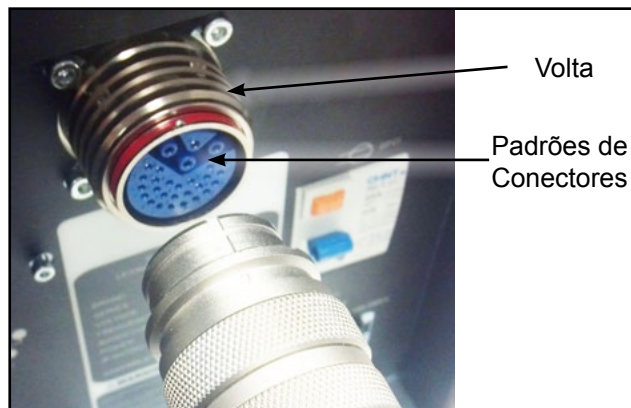
### Conexão do cabo à ferramenta

Insira a ponta do cabo conector da ferramenta na manopla da parafusadeira de porcas. Alinhe a chave no conector do cabo ao botão do interruptor na manopla da ferramenta. Isto permitirá que a chave seja conectada à ranhura de acoplamento dentro na manopla. Passe a volta do cabo na manopla da ferramenta e aperte firmemente.



### Conexão do cabo ao controle

Conecte a outra ponta do cabo ao conector da ferramenta no controle. Assegure a entrada da volta do cabo do controle da ferramenta dentro do controle. Alinhe as marcas do conector no cabo da ferramenta e no conector do controle. Insira o conector do cabo no conector do controle e puxe a volta do cabo em direção ao próprio cabo, travando o conector do cabo na posição correta.



## Controle global mPro400GC-I

### Cabos da Ferramenta

Série 48EAE	Comprimento do cabo		EN Descrição
	Pés	Metros	
<b>Cabos não-União Europeia - Conector Ar-LB</b>			
301866-XXX *	3 - 49	1 - 15	Cabo da ferramenta (1)
301904-XXX *	3 - 49	1 - 15	Cabo de rotação: Inline (1)
301903-XXX *	3 - 49	1 - 15	Cabo de rotação: Ângulo Direito (1)
301877-XXX	3 - 66	1 - 20	Cabo de extensão
<b>Cabos União Europeia - Conector Ar-LB</b>			
961259-XXX **	3 - 66	1 - 20	Cabo da ferramenta (1)
961250-XXX **	3 - 66	1 - 20	Cabo da ferramenta (2)
961251-XXX **	3 - 66	1 - 20	Cabo de rotação: Inline (2)
961252-XXX **	3 - 66	1 - 20	Cabo de rotação: Ângulo Direito (2)
961249-XXX **	3 - 66	1 - 20	Cabo de extensão

\* observação: cabos de 3 pés e 6 pés (1M e 2M) devem ser usados com Cabo Extensor 301877.

\*\* Observação: Comprimento de 20M não demanda transformador.

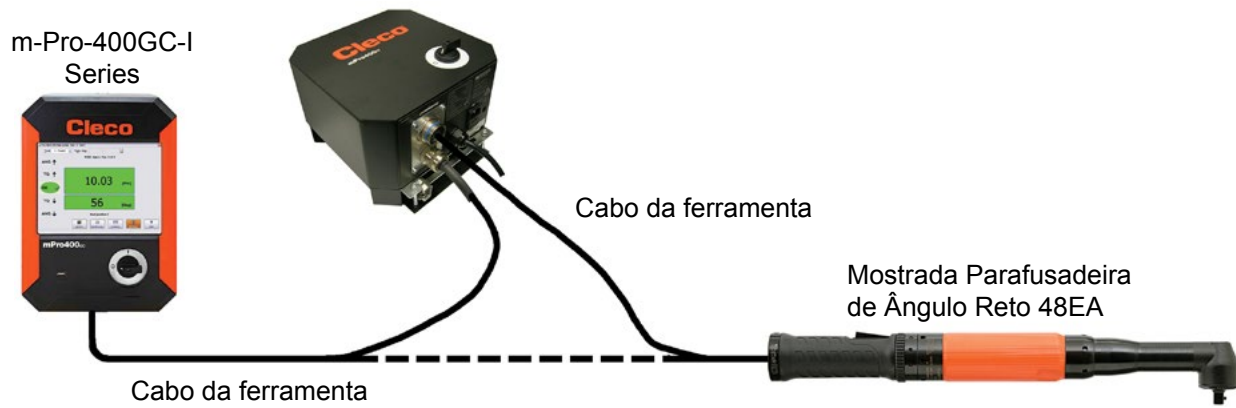
(1) Durabilidade Padrão

(2) Durabilidade Alta

Série 48EA	Comprimento do cabo		EN Descrição
	Pés	Metros	
<b>Cabos não-União Europeia - Conector Matrix</b>			
542778-XXX *	3 - 49	1 - 15	Cabo da ferramenta (1)
544056-XXX *	3 - 49	1 - 15	Cabo de rotação: Inline (1)
544055-XXX *	3 - 49	1 - 15	Cabo de rotação: Ângulo Direito (1)
542779-XXX	3 - 66	1 - 20	Cabo de extensão
<b>Cabos União Europeia - Conector Matrix</b>			
-----	-----	-----	-----
-----	-----	-----	-----
-----	-----	-----	-----
-----	-----	-----	-----
-----	-----	-----	-----

\* observação: cabos de 3 pés e 6 pés (1M e 2M) devem ser usados com Cabo Extensor 542779.

(1) Durabilidade Padrão



## 5 Operação inicial:

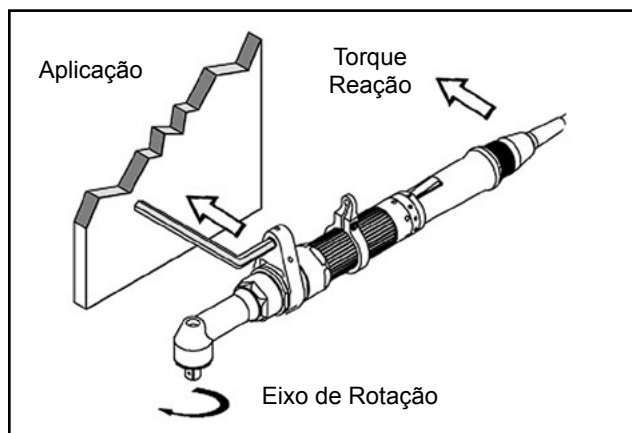
### Colocação em uso

#### ATENÇÃO



Perigo de esmagamento das mãos.

→ Sempre use uma barra de reação para uso em espaços restritos ou alto torque: ferramentas em linha (4 Nm), ferramentas de aperto de pistola (10 Nm), ferramentas de ângulo reto (60 Nm).



### Realizando um teste completo de parafusamento

As parafusadeiras de porcas série 48E são configuradas pela Apex Tool Group. A configuração para seu conjunto fixador específico só deve ser feita com o controle da parafusadeira de porcas por pessoal qualificado<sup>1</sup>, o funcionamento inicial pode variar dependendo do tipo e da programação do controle de parafusadeira de porcas. Consulte o Manual de Programação da parafusadeira de porcas.

- Assegure-se que o cabo da ferramenta esteja seguramente conectado à ferramenta e ao controle.
- Assegure-se que o controle esteja ligado à energia e devidamente programado (consulte os manuais do controle).
- Assegure-se que o mecanismo reverso esteja na posição correta.
- Coloque o soquete ou broca na aplicação e pressione o botão do interruptor para iniciar o teste.
- Quando a parafusadeira de porcas desligar, libere o botão do interruptor.
- Remova a parafusadeira de porcas da aplicação.

1. É considerado pessoal qualificado aquele que pode reconhecer possíveis perigos e instituir as medidas de segurança apropriadas, graças a treinamento profissional, conhecimento e experiência, bem como à compreensão das principais condições relacionadas ao trabalho a ser realizado. O pessoal qualificado deve observar as regras



## Manutenção

Implemente um programa de manutenção de segurança abrangente para oferecer a inspeção regular para todas as fases da operação da ferramenta e do equipamento de fornecimento de ar.

Diariamente:

- Inspeção visual de todos os cabos e conexões
- Inspeção visual de todos os componentes e ferramentas externas
- Verifique se há vibração excessiva ou ruídos inesperados

Aproximadamente 100.000 apertos:

- Inspecione se há danos ou desgastes no cabo da ferramenta
- Inspecione se a conexão do cabo da ferramenta está bem fixa
- Inspecione se há danos ou desgastes no fuso de saída
- Verifique a velocidade livre máxima

Aproximadamente 500.000 apertos:

- Desmonte a ferramenta e inspecione todas as peças para ver se há danos ou desgaste, substitua se necessário
- Limpe e lubrifique o cabeçote do ângulo, engrenagens e rolamentos do motor
- Se equipado; recalibre o transdutor

Aproximadamente 1.000.000 apertos:

- Desmonte a ferramenta e inspecione todas as peças para ver se há danos ou desgaste, substitua se necessário
- Limpe e lubrifique o cabeçote do ângulo, engrenagens e rolamentos do motor
- Se equipado; recalibre o transdutor

## Lubrificantes

A aplicativo da ferramenta de montagem determina a frequência com que ela é engraxada. Toda engrenagem deve receber uma quantidade generosa de graxa a cada intervalo de serviço.

Nº da peça	Embalagem	Graxa
540395	2 oz. (0.06 kg)	Magnalube-G
513156	16 oz. (0.45 kg)	Magnalube-G
541444	2 oz. (0.06 kg)	Rheolube 363AX-1
541445	16 oz. (0.45 kg)	Rheolube 363AX-1

## 6 Solução de problemas:

Defeito	Possíveis causas	Solução
A ferramenta não liga	Botão do interruptor com defeito	→ Substitua o botão do interruptor
	Não há velocidade programada (RPM)	→ Programe a velocidade para todos os estágios ativos
	Controle aguardando ativação da ferramenta	→ Ative a entrada <i>Ativar Ferramenta</i> ou, se não requerida, <i>Desative o Ativar Ferramenta</i>
	Cabo com defeito	→ Conserte ou substitua o cabo
	Pinos tortos no cabo ou na ferramenta	→ Realinhe os pinos de contato ou substitua o conector com defeito
	Dados de auto identificação não reconhecidos após a troca da ferramenta	→ Dê o aceite nos <i>Dados</i> novamente (Configuração da Ferramenta)
Sem sinal acústico após a conexão do cabo da ferramenta	Software incorreto	→ Verifique o software do controle / software do quadro de medição
	Cabo com defeito	→ Substitua o cabo
	Ferramenta com defeito	→ Substitua a ferramenta
A ferramenta não liga com a rotação em sentido anti-horário ativada	Com a rotação em sentido anti-horário, o parâmetro de velocidade é definido em 0 rpm.	→ Programe a velocidade para rotação em sentido anti-horário
A ferramenta liga na direção de aperto, mas não em rotação no sentido anti-horário	Não há velocidade programada para rotação em sentido anti-horário	→ Programe a velocidade para rotação em sentido anti-horário
	Botão do sentido de rotação com defeito	→ Substitua o conjunto do botão do sentido de rotação
	Cabo com defeito	→ Conserte ou substitua o cabo
	Pinos tortos no cabo ou na ferramenta	→ Realinhe os pinos de contato ou substitua o conector com defeito
A ferramenta desliga no torque desejado, mas sem indicação de ângulo	O torque limite está muito alto	→ Corrija a sequência de aperto ou reduza o valor do torque limite
A ferramenta desliga prematuramente	O operador solta o botão do interruptor antes de o controle parar a ferramenta	→ Certifique-se que o operador esteja mantendo o botão pressionado durante toda a sequência.
	O tempo de aperto excede o tempo padrão em 10 segundos.	→ Aumente o tempo de aperto
	A ferramenta excede o ponto de ajuste do ângulo	→ Verifique a sequência de fixação para garantir que o valor de corte de torque e/ou ponto de ajuste do ângulo estejam corretos. Ajuste se necessário. Verifique se o conjunto de fixação mudou significativamente.
A ferramenta não muda de velocidade	A velocidade é a mesma em todos os estágios	→ Certifique-se que a velocidade e o ângulo de mudança nos estágios estejam corretos.
Os LEDs na ferramenta começam a piscar quando o botão de reversão é acionado	Esta é uma função normal definida nos parâmetros padrão.	→ Ative ou desative a caixa de verificação <i>Luzes Intermitentes quando Funcionando em Reversão</i>
Aviso na tela de status: <i>Transdutor de compensação 1/2 NOK</i>	O transdutor não retorna a um valor de torque zero.	→ O transdutor foi sobrecarregado e precisa ser substituído
	Cabeamento com falha na ferramenta ou cabo	→ Verifique a ferramenta com um cabo diferente. Os valores de compensação e deslocamento podem ser verificados no menu <i>Diagnóstico</i> .
Aviso na tela de status: <i>Ferramenta Offline!</i>	A ferramenta não foi aceita nos <i>Ajustes da Ferramenta</i>	→ Verifique o menu Lista de Ferramentas para ter certeza de que a ferramenta foi aceita. Se não tiver sido aceita, o status mostrará <i>Aceite manual necessário</i> . A linha correta precisa ser marcada antes de o ajuste ser aceito no menu <i>Ajustes da Ferramenta</i> .
	Um cabo com defeito impedirá que a ferramenta seja reconhecida pelo controle da parafusadeira de porcas.	→ Conserte ou substitua o cabo
Exibição de torque diferente no controle e transdutor externo	Fator de calibração do torque (Cal. Torque) deve ser ajustado nos <i>Ajustes da Ferramenta</i> .	→ Ajuste Cal. do Torque ( <i>Ajustes da Ferramenta</i> ) usando a seguinte fórmula: Novo valor de calibração = (valor externo / valor da ferramenta) x valor de calibração usado
	A ligação do ângulo do cliente foi adicionada à ferramenta. A memória da ferramenta deve ser atualizada.	→ Reprograme a memória da ferramenta
O cabo da ferramenta não encaixa na manopla da ferramenta	Cabo errado. Ferramentas em uso com o controle da parafusadeira mPro400GC usam conector Ar-LB. O conector tem tamanho diferente em comparação com o conector Matrix utilizado anteriormente.	→ Use o cabo correto para a ferramenta sendo utilizada.

## 7.1 Dados de Desempenho da Série 48E:

Controle de Corrente de Parafusadeira Série 48E - Conector de Ferramenta Ar-LB \*

Número do modelo	Intervalo da Ferramenta				Velocidade máx. (rpm)	Comprimento		Peso		Peso da Cabeça		Lado ao centro		Tamanho da broca
	Torque máx.		Torque mín.			pol.	mm	lbs	kg	pol.	mm	pol.	mm	
	pe <sup>-libra</sup> x f	Nm	pe <sup>-libra</sup> x f	Nm										
<b>Parafusadeira de Porcas de Ângulo Reto Série 48EA **</b>														
48EAE15AL3	11.1	15	2.2	3	2855	15.7	398	3.8	1.7	1.6	41	0.59	15	3/8"
48EAE28AL3	20.7	28	4.4	6	1300	16.2	410	4.1	1.9	1.6	41	0.59	15	3/8"
48EAE41AM3	30.2	41	6.6	9	1090	17.3	440	4.3	2.0	1.9	48	0.75	19	3/8"
48EAE58AM3	42.8	58	8.9	12	770	17.3	440	4.3	2.0	1.9	48	0.75	19	3/8"
48EAE58AM4	42.8	58	8.9	12	770	17.3	440	4.3	2.0	1.9	48	0.75	19	1/2"
48EAE90AH4	64.2	87	13.3	18	515	18.5	470	6.6	3.0	2.3	58	0.81	21	1/2"
48EAE105AH4	76.7	104	15.5	21	340	18.5	470	6.6	3.0	2.3	58	0.81	21	1/2"
48EAE135MH4	98.1	133	19.9	27	265	19.1	485	7.3	3.3	2.4	61	0.94	24	1/2"
48EAE175AX6	129.8	176	26.6	36	190	21.6	549	10.2	4.6	2.7	69	1.06	27	3/4"
48EAE230AX6	169.6	230	33.9	46	145	21.6	549	10.2	4.6	2.7	69	1.06	27	3/4"
<b>Parafusadeira de Eixo Flutuante de Ângulo Reto Série 48EA</b>														
48EAE37S231	27.2	37	5.9	8	1225	18.7	474	5.4	2.4	2.7	69	0.67	17	3/8"
48EAE52S231	38.3	52	8.1	11	860	18.7	474	5.4	2.4	2.7	69	0.67	17	3/8"
48EAE53S341	39.1	53	8.1	11	850	20.0	509	6.0	2.7	3.3	83	0.87	22	1/2"
48EAE75S341	55.3	75	11.0	15	600	20.0	509	6.0	2.7	3.3	83	0.87	22	1/2"
48EAE95S341	70.0	95	14.7	20	460	20.5	521	7.4	3.4	3.3	83	0.87	22	1/2"
48EAE110S341	81.1	110	16.9	23	400	20.5	521	7.4	3.4	3.3	83	0.87	22	1/2"
48EAE135S461	99.5	135	20.6	28	270	20.6	522	8.9	4.0	3.7	94	1.06	27	3/4"
48EAE230S461	169.6	230	34.6	47	150	22.2	563	10.6	4.8	3.7	94	1.06	27	3/4"
<b>Parafusadeira de Ângulo Reto com Soquete de Descarga Série 48EA</b>														
48EAE37F2	27.3	37	5.9	8	1225	18.7	474	5.4	2.4	1.7	43	0.67	17	----
48EAE52F2	38.3	52	8.1	11	860	18.7	474	5.4	2.4	1.7	43	0.67	17	----
48EAE53F3	39.0	53	8.1	11	850	20.0	509	6.0	2.7	2.3	59	0.87	22	----
48EAE75F3	55.3	75	11.1	15	600	20.0	509	6.0	2.7	2.3	59	0.87	22	----
48EAE110F3	81.1	110	17.0	23	400	20.5	521	7.4	3.4	2.3	59	0.87	22	----
48EAE135F4	99.5	135	19.9	27	270	20.6	522	8.9	4.0	2.4	61	1.06	27	----
48EAE230F4	172.6	230	34.7	47	150	22.2	563	10.6	4.8	2.4	61	1.06	27	----
<b>Parafusadeira de Porcas de Ângulo Reto Série 48EA</b>														
48EAE53H	39.8	54	8.1	11	850	20.2	512	7.9	3.6	2.4	61	1.06	27	----
48EAE75H	56.8	77	11.1	15	600	20.2	512	7.9	3.6	2.4	61	1.06	27	----
48EAE110H	85.6	115	17.0	23	400	20.2	512	8.9	4.0	2.4	61	1.06	27	----
48EAE135H	101.8	135	20.7	28	270	20.6	522	8.9	4.0	2.4	61	1.06	27	----
48EAE230H	169.6	230	34.7	47	150	22.2	563	10.6	4.8	2.4	61	1.06	27	----
<b>Parafusadeira Inline Série 48EC</b>														
48ECE30C1	22.1	30	7.7	10	860	20.5	521	5.5	2.3	1.7	43	0.63	16	----
48ECE30C3	22.1	30	7.7	10	860	20.5	521	5.5	2.3	1.6	40	0.63	16	----
<b>Parafusadeira de Pistola Série 48EP **</b>														
48EPE12Q	8.9	12	2.2	3	4000	8.3	211	2.7	1.2	----	----	0.84	21	1/4" Hex
48EPE12D2	8.9	12	2.2	3	4000	7.7	196	2.7	1.2	----	----	0.84	21	1/4"
48EPE25D3	18.4	25	4.4	6	1820	8.4	213	2.9	1.3	----	----	0.84	21	3/8"
48EPE36D3	26.6	36	5.9	8	1290	8.4	213	2.9	1.3	----	----	0.84	21	3/8"
48EPE48D3	35.4	48	7.4	10	985	8.6	218	3.0	1.4	----	----	0.84	21	3/8"
48EPE65D4	47.9	65	9.6	13	750	10.8	274	5.0	2.3	----	----	0.91	23	1/2"
48EPE90D4	66.4	90	14.0	19	510	11.3	287	5.3	2.4	----	----	0.91	23	1/2"
48EPE125D4	92.2	125	19.2	26	360	11.3	287	5.3	2.4	----	----	0.91	23	1/2"
48EPE150D4	110.6	150	22.9	31	240	11.3	287	5.3	2.4	----	----	0.91	23	1/2"
48EPE200D6	144.0	195	32.0	42	180	16.2	410	9.5	4.3	----	----	1.13	29	3/4"
48EPE500D6	368.0	500	70.0	95	53	16.2	410	9.8	4.5	----	----	1.13	29	3/4"
48EPE1000D8	740.0	1000	137.0	180	33	19.2	486	16.2	7.3	----	----	1.50	38	1"

\* Observação: Conector de Ferramenta Matrix - especificações são idêntica.

\*\* Observação:

Modelos de pino de retenção mostrados. As especificações dos modelos de esferas de retenção (terminação B) são as mesmas.

### 7.1 Dados de Desempenho da Série 48E (contínuo):

Controle de Corrente de Parafusadeira Série 48E - Conector de Ferramenta Ar-LB \*

Número do modelo	Intervalo da Ferramenta				Velocidade máx. (rpm)	Comprimento		Peso		Peso da Cabeça		Lado ao centro		Tamanho da broca
	Torque máx.		Torque mín.			pol.	mm	lbs	kg	pol.	mm	pol.	mm	
	lb <sup>1</sup> -libra <sup>2</sup> x ft	Nm	lb <sup>1</sup> -libra <sup>2</sup> x ft	Nm										
<b>Parafusadeira Inline Série 48ES **</b>														
48ESE12Q	8.9	12	2.2	3	4000	13.5	343	3.0	1.4	---	---	0.91	23	1/4" Hex
48ESE12D2	8.9	12	2.2	3	4000	13.0	330	3.0	1.4	---	---	0.91	23	1/4"
48ESE25D3	18.4	25	4.4	6	1820	13.6	345	3.2	1.5	---	---	0.91	23	3/8"
48ESE36D3	26.6	36	5.9	8	1290	13.6	345	3.2	1.5	---	---	0.91	23	3/8"
48ESE48D3	35.4	48	7.4	10	985	13.8	351	3.3	1.5	---	---	0.91	23	3/8"
48ESE65D4	47.9	65	9.6	13	750	16.6	420	5.3	2.4	---	---	1.13	29	1/2"
48ESE90D4	66.4	90	14.0	19	510	17.1	435	5.6	2.5	---	---	1.13	29	1/2"
48ESE125D4	92.2	125	19.2	26	360	17.1	435	5.6	2.5	---	---	1.13	29	1/2"
48ESE150D4	110.6	150	22.9	31	240	17.1	435	5.6	2.5	---	---	1.13	29	1/2"
<b>Parafusadeira Inline com Eixo Flutuante Série 48ES</b>														
48ESE12ZA	8.9	12	2.2	3	4000	16.7	425	3.4	1.5	---	---	0.91	23	1/4"
48ESE271ZB	19.9	27	5.9	8	1820	22.0	559	5.8	2.6	---	---	0.92	23	3/8"
48ESE361ZB	26.6	36	5.2	7	1290	22.0	559	5.8	2.6	---	---	0.92	23	3/8"
48ESE602ZB	42.0	57	8.1	11	855	24.4	620	8.4	3.8	---	---	1.10	28	1/2"
48ESE702ZB	50.2	68	10.3	14	570	24.4	620	8.4	3.8	---	---	1.10	28	1/2"
48ESE802ZB	60.5	82	12.5	17	450	26.7	678	9.6	4.4	---	---	1.10	28	1/2"
48ESE1152ZB	84.8	115	18.4	25	320	26.7	678	9.6	4.4	---	---	1.10	28	1/2"
48ESE1502ZB	110.6	150	22.9	31	245	26.7	678	9.6	4.4	---	---	1.10	28	1/2"
48ESE1653ZB	121.7	165	24.3	33	220	28.6	726	14.6	6.6	---	---	1.57	40	3/4"
48ESE2503ZB	182.9	548	36.8	50	145	28.6	726	14.6	6.6	---	---	1.57	40	3/4"
<b>Parafusadeira Inline Série 48ET</b>														
48ETE20T2	14.8	20	7.4	10	1425	16.9	430	4.4	2.0	---	---	0.78	20	1/2"
48ETE30T3	22.1	30	11.1	15	1030	16.6	422	4.5	2.0	---	---	0.83	21	3/4"
48ETE40T4	29.5	40	14.8	20	770	17.9	454	5.3	2.3	---	---	1.18	30	1-1/16"

\* Observação: Conector de Ferramenta Matrix - especificações são idêntica.

\*\* Observação:

Modelos de pino de retenção mostrados. As especificações dos modelos de esferas de retenção (terminação B) são as mesmas.

## 7.2 Memória da Ferramenta Série 48E:

### Controle de Corrente de Parafusadeira Série 48E - Conector de Ferramenta Ar-LB \*

Número do modelo	Velocidade máx. [RPM]	Torque máx. [Nm]	Calibração de torque [Nm]	Tipo de transdutor	calibração ângulo [PPD]	fator de eletricidade estática [Nm/A]
<b>Parafusadeira de Porcas de Ângulo Reto Série 48EA **</b>						
48EAE15AL3	2855	15	17.9794	542846-12	29.8662	0.6929
48EAE28AL3	1300	28	42.8072	542846-31	65.6023	1.4458
48EAE41AM3	1090	41	50.9609	542846-31	78.0980	1.7212
48EAE58AM3	770	58	77.2838	542846-48	110.2015	2.4287
48EAE58AM4	770	58	77.2838	542846-48	110.2015	2.4287
48EAE90AH4	515	87	158.3540	542846-100	165.6771	3.6514
48EAE105AH4	340	104	156.6510	542846-100	248.0254	5.4662
48EAE135MH4	265	133	199.7300	542846-100	316.2324	6.9694
48EAE175AX6	190	176	231.2227	542846-40	441.5931	9.2456
48EAE230AX6	145	230	228.7037	542846-40	575.9910	12.0595
<b>Parafusadeira de Eixo Flutuante de Ângulo Reto Série 48EA</b>						
48EAE37S231	1225	37	45.8648	542846-31	70.2893	1.5491
48EAE52S231	860	52	69.5554	542846-48	99.1829	2.1859
48EAE53S341	850	53	65.5212	542846-31	100.4132	2.2130
48EAE75S341	600	75	99.3649	542846-48	141.6898	3.1226
48EAE95S341	460	95	98.2031	542846-48	185.5462	4.0892
48EAE110S341	400	110	203.5980	542846-100	213.0167	4.6946
48EAE135S461	270	135	201.4084	542846-100	318.8948	7.0280
48EAE230S461	150	230	297.2863	542846-40	567.7714	11.8873
<b>Parafusadeira de Ângulo Reto com Soquete de Descarga Série 48EA</b>						
48EAE37F2	1225	37	45.8648	542846-31	70.2893	1.5491
48EAE52F2	860	52	69.5554	542846-48	99.1829	2.1859
48EAE53F3	850	53	65.5212	542846-31	100.4132	2.2130
48EAE75F3	600	75	99.3649	542846-48	141.6898	3.1226
48EAE110F3	400	110	203.5980	542846-100	213.0167	4.6946
48EAE135F4	270	135	201.4084	542846-100	318.8948	7.0280
48EAE230F4	150	230	297.2863	542846-40	567.7714	11.8873
<b>Parafusadeira de Porcas de Ângulo Reto Série 48EA</b>						
48EAE53H	850	54	65.5212	542846-31	100.4132	2.2130
48EAE75H	600	77	99.3649	542846-48	141.6898	3.1226
48EAE110H	400	115	203.5980	542846-100	213.0167	4.6946
48EAE135H	270	135	201.4084	542846-100	318.8948	7.0280
48EAE230H	150	230	297.2863	542846-40	567.7714	11.8873
<b>Parafusadeira Inline Série 48EC</b>						
48ECE30C1	860	30	49.1424	542846-48	99.1829	1.5444
48ECE30C3	860	30	49.1424	542846-48	99.1829	1.5444
<b>Parafusadeira de Pistola Série 48EP **</b>						
48EPE12Q	4000	12	13.9592	542846-12	21.3330	0.5379
48EPE12D2	4000	12	13.9592	542846-12	21.3330	0.5379
48EPE25D3	1820	25	33.2354	542846-31	46.8588	1.1225
48EPE36D3	1290	36	37.8018	542846-36	66.1209	1.5840
48EPE48D3	985	48	49.8132	542846-48	86.5869	2.0742
48EPE65D4	750	65	70.3865	542846-12	113.2308	2.7124
48EPE90D4	510	90	111.9428	542846-31	166.1383	3.7809
48EPE125D4	360	125	127.3235	542846-36	234.4323	5.3350
48EPE150D4	240	150	190.6085	542846-36	350.9548	7.9868
48EPE200D6	178	200	282.9741	542846-12	479.1795	10.9048
48EPE500D6	53	500	903.0329	542846-12	1609.6500	34.7997
48EPE1000D8	33	1000	1449.6660	542846-12	2584.0198	55.8650

\* Observação: Conector de Ferramenta Matrix - especificações são idêntica.

\*\* Observação:

Modelos de pino de retenção mostrados. As especificações dos modelos de esferas de retenção (terminação B) são as mesmas.

## 7.2 Memória da Ferramenta Série 48E (contínuo):

### Controle de Corrente de Parafusadeira Série 48E - Conector de Ferramenta Ar-LB \*

Número do modelo	Velocidade máx. [RPM]	Torque máx. [Nm]	Calibração de torque [Nm]	Tipo de transdutor	calibração ângulo [PPD]	fator de eletricidade estática [Nm/A]
<b>Parafusadeira Inline Série 48ES **</b>						
48ESE12Q	4000	12	13.9592	542846-12	21.3330	0.5379
48ESE12D2	4000	12	13.9592	542846-12	21.3330	0.5379
48ESE25D3	1820	25	33.2354	542846-31	46.8588	1.1225
48ESE36D3	1290	36	37.8018	542846-36	66.1209	1.5840
48ESE48D3	985	48	49.8132	542846-48	86.5869	2.0742
48ESE65D4	750	65	70.3865	542846-12	113.2308	2.7124
48ESE90D4	510	90	111.9428	542846-31	166.1383	3.7809
48ESE125D4	360	125	127.3235	542846-36	234.4323	5.3350
48ESE150D4	240	150	190.6085	542846-36	350.9548	7.9868
<b>Parafusadeira Inline com Eixo Flutuante Série 48ES</b>						
48ESE12ZA	4000	12	13.9592	542846-12	21.3333	0.5379
48ESE271ZB	1820	27	33.2354	542846-31	46.8595	1.1225
48ESE361ZB	1290	36	37.8018	542846-36	66.1219	1.5840
48ESE602ZB	855	57	103.2743	542846-100	99.4078	2.3813
48ESE702ZB	570	68	102.1637	542846-100	148.8176	3.5649
48ESE802ZB	450	82	153.7513	542846-40	188.3146	4.2855
48ESE1152ZB	320	115	150.7974	542846-40	264.9600	6.0298
48ESE1502ZB	245	150	149.1546	542846-40	345.6000	7.8649
48ESE1653ZB	220	165	376.0907	542846-100	381.0632	8.6720
48ESE2503ZB	145	548	372.0461	542846-100	570.4674	12.9823
<b>Parafusadeira Inline Série 48ET</b>						
48ETE20T2	1425	20	35.9914	542846-17	59.7333	0.9790
48ETE30T3	1030	30	49.8343	542846-17	82.7077	1.3556
48ETE40T4	770	40	66.4457	542846-17	110.2769	1.8075

\* Observação: Conector de Ferramenta Matrix - especificações são idêntica.

\*\* Observação:

Modelos de pino de retenção mostrados. As especificações dos modelos de esferas de retenção (terminação B) são as mesmas.



## Per le presenti Istruzioni d'uso

La lingua originale delle presenti istruzioni per l'uso è l'inglese. Il presente manuale di istruzioni è destinato a tutto il personale che si occupa dell'utilizzo e della manutenzione di questo equipaggiamento.

Il presente manuale di istruzioni ha i seguenti obiettivi:

- fornisce importanti indicazioni per un utilizzo sicuro ed efficiente;
- descrive la funzione e il funzionamento di questo equipaggiamento;
- funge da documento di riferimento per i dati tecnici, gli intervalli di manutenzione e le ordinazioni dei ricambi;
- fornisce informazioni inerenti alle dotazioni opzionali.

### Simboli presenti nel testo:

- Identifica le istruzioni da seguire.
- Identifica un elenco.
- <.> Indica un numero di riferimento dai disegni esplosi per le parti di ricambio.

### Grassetto

Indica una caratteristica o un'istruzione importanti.

OK Okay (accettabile)

NOK Non okay (non accettabile)

### Simboli d'identificazione:

- indica un movimento direzionale.
- ↓ indica una funzione o una forza.

### Avvertenze sui diritti:

Apex Tool Group, LLC si riserva il diritto di apportare delle modifiche al documento o al prodotto, di completarlo e/o di ottimizzarlo senza dare preavviso. Senza espressa approvazione di Apex Tool Group, LLC, questa documentazione non può essere riprodotta né completamente né in parte in qualsivoglia modo o riportata in un'altra lingua naturale o leggibile meccanicamente, oppure su un supporto dati elettronico, meccanico, ottico o di altro genere.

## 1 Sicurezza:

### Segnalazioni ed avvertenze

Le segnalazioni sono contrassegnate da un avvertimento e un pittogramma.

- L'avvertimento caratterizza la gravità e la probabilità del pericolo imminente.
- Il pittogramma indica il genere di pericolo.

#### AVVERTENZA



Indica una situazione potenzialmente **pericolosa** per la salute e la sicurezza delle persone. Se questo avvertimento non viene rispettato, si possono verificare lesioni gravi o mortali.

#### ATTENZIONE



Indica una situazione potenzialmente **pericolosa** che, se non evitata, può comportare lesioni di lieve o moderata entità, oppure provocare danni materiali e ambientali.



**NOTA GENERALE** identifica informazioni utili che possono includere anche suggerimenti per l'applicazione, ma non situazioni pericolose.

### Simboli sul prodotto

Accertarsi di aver compreso il significato di questi simboli prima di usare l'attrezzatura.



**Elettricità:** indica una situazione potenzialmente **pericolosa** per la salute e la sicurezza del personale. La mancata osservanza delle istruzioni operative e relative alla sicurezza potrebbe causare scosse elettriche, ustioni o lesioni gravi.



Leggere tutte le istruzioni.



Osservare e ottemperare a tutte le direttive di smaltimento locali per tutti i componenti di questo attrezzo e del suo confezionamento.



Conformità CE



Conformità Euroasiatica (EAC)

## Istruzioni generali di sicurezza sistema di avvitatura

**AVVERTENZA** Rischio di scossa elettrica. Contatto con tensione della rete e 320 VDC.



In caso di guasto, il dispositivo di controllo bullonatrice e l'utensile possono provocare una scossa elettrica accidentale. La scossa elettrica può causare arresto cardiovascolare, arresto respiratorio, ustioni e lesioni gravi o mortali.

→ Mettere in funzione il dispositivo di serraggio solo dopo aver letto e compreso completamente le seguenti istruzioni di sicurezza.

Oltre alle sopraccitate lesioni, la mancata osservanza delle presenti istruzioni può essere causa di danni al dispositivo di controllo bullonatrice e di perdita degli esistenti diritti di intervento in garanzia.

### 1 Note per l'operatore del sistema

Le presenti istruzioni sulla sicurezza non devono essere considerate onnicomprensive. Durante l'installazione attenersi obbligatoriamente alle norme di sicurezza nazionali e locali nonché agli standard di cablaggio in vigore. Questi ultimi hanno la priorità su eventuali informazioni contenute nella presente sezione.

Le presenti istruzioni di sicurezza devono essere accessibili agli operatori in qualsiasi momento. Devono essere mostrate e rese disponibili al personale coinvolto nell'utilizzo e nella riparazione dei dispositivi.

### 2 Addestramento degli operatori

Il dispositivo di controllo bullonatrice deve essere messo in funzione, regolato o testato solo da operatori qualificati e debitamente addestrati. Il personale deve essere istruito da operatori qualificati dello staff<sup>1)</sup> APEX.

Il dispositivo di controllo bullonatrice è preconfigurato da APEX. Un'impostazione specifica per un determinato accoppiamento a vite deve essere eseguita sul dispositivo di controllo bullonatrice da personale qualificato<sup>1)</sup>. Per ulteriori informazioni, fare riferimento al manuale di programmazione.

### 3 Uso conforme

Il sistema di avvitatura APEX è concepito solo per un uso industriale nei processi di avvitatura.

→ Utilizzare il sistema di avvitatura solo nelle condizioni di seguito indicate:

- utilizzo esclusivamente in interni
- solo in presenza di compatibilità elettromagnetica industriale (EMC), con classe di valore limite A

### 4 Dispositivi di protezione individuale

Pericolo di lesioni causate da avvolgimento e impigliamento nella macchina:

- è proibito utilizzare guanti se si lavora su parti rotanti;
- indossare indumenti aderenti;
- se necessario, indossare un elmetto.

Rischio di lesioni dovuti a componenti scagliati lontano:

- indossare occhiali protettivi.

### 5 Postazione di lavoro

- Mantenere sempre pulita e ordinata la propria postazione di lavoro.
- Accertarsi che lo spazio dell'area di lavoro sia sufficiente.

→ Prestare attenzione, controllare ciò che si sta facendo e utilizzare il buon senso in fase di utilizzo della bullonatrice. Non utilizzare l'utensile se stanchi o sotto gli effetti di droghe, alcol o medicinali. Un momento di disattenzione durante l'utilizzo dell'utensile può tradursi in lesioni personali gravi.

### 6 Funzionamento

- Qualora la protezione contro i guasti a terra disconnetta il sistema, correggere la causa della corrente di guasto elevata prima di continuare con l'operazione.
- Non tirare mai la spina per estrarla da una presa di corrente.
- Tenere il cavo lontano da fonti di calore, olio, bordi affilati o parti in movimento.
- Sostituire immediatamente i cavi danneggiati.

### 7 Pulizia

- Pulire l'elettrodotensile e il dispositivo di controllo bullonatrice solamente dall'esterno utilizzando un panno umido.
- Non utilizzare un'idropulitrice.

### 8 Smaltimento

Componenti e materiali ausiliari del sistema di avvitatura costituiscono rischi per la salute e l'ambiente.

- Separare i componenti dell'imballaggio e isolare i diversi materiali prima di procedere allo smaltimento.
- Restituire l'utensile e il dispositivo di controllo bullonatrice difettoso al proprio centri di raccolta aziendale oppure ad un Centro di Vendita e Assistenza.
- Attenersi alle normative vigenti a livello locale.



Rispettare le direttive generali vigenti sullo smaltimento, come la legge sugli apparecchi elettrici ed elettronici (ElektroG) e la normativa nazionale sulle batterie (BattG):

- Le batterie ricaricabili esaurite devono essere smaltite. Restituire le batterie difettose al proprio centri di raccolta aziendale oppure ad un Centro di Vendita e Assistenza.

1. Con "personale qualificato" si intendono coloro che sono in grado di riconoscere possibili rischi e mettere in atto le misure di sicurezza necessarie grazie alla propria formazione professionale, alle conoscenze e all'esperienza, nonché alla capacità di comprendere le condizioni rilevanti per il lavoro da eseguire. Il personale qualificato deve rispettare i regolamenti

## Istruzioni generali di sicurezza: dispositivo di controllo

→ Non modificare il dispositivo di controllo bullonatrice, eventuali protezioni o accessori salvo autorizzazione scritta da parte di Apex Tool Group LLC.

→ Non tentare di aprire il dispositivo di controllo bullonatrice o i componenti del controllo. Né per individuare/eliminare eventuali guasti, né per eseguire altri interventi sull'unità. Qualsiasi interferenza può causare un errore che a sua volta può provocare lesioni di grave entità dovute a scariche elettriche.

Mettere in funzione l'utensile con un dispositivo di controllo aperto può causare;

- un incremento delle emissioni: ciò potrebbe pregiudicare il funzionamento di altri dispositivi;
  - riduzione dell'immunità: il dispositivo di controllo bullonatrice potrebbe dare origine a risultati errati.
  - L'apertura del dispositivo di controllo bullonatrice invaliderà le garanzie eventualmente in essere.
- Mandare in riparazione il dispositivo di controllo bullonatrice completo al proprio Centro di Vendita e Assistenza.

### 1 Uso conforme

Questo prodotto è parte del sistema di avvitatura APEX ed è concepito solo per un uso industriale nei processi di avvitatura.

→ Utilizzare il dispositivo di controllo bullonatrice solo nelle condizioni di seguito indicate:

- In combinazione con utensili APEX:
    - utensili con cavo
    - utensili EC cordless LiveWire
    - bullonatrice integrata
  - Con gli accessori e i cavi approvati APEX.
  - Con l'alimentazione consentita.
  - Esclusivamente alla velocità della bullonatrice.
  - Utilizzando la massima lunghezza di cavo approvata.
  - Utilizzo esclusivamente in interni.
  - Solo in presenza di compatibilità elettromagnetica industriale (EMC), con classe di valore limite A
- Non utilizzare il dispositivo di controllo bullonatrice
- in aree pericolose.
  - in locali umidi / all'aperto.

### 2 Condizioni ambientali

→ Tenere il dispositivo di controllo bullonatrice lontano da fonti di calore, fiamme, situazioni a rischio di esplosione e umidità.

Funzione	Temperatura	Umidità relativa	Altezza di lavoro
Trasporto / Magazzinaggio	da -13°F a +158°F (da -25°C a +70°C)	0...90% senza formazione di rugiada	fino a 9800 ft. (3000 m) s.l.m
Funzionamento	da +32°F a +113°F (da 0°C a +45°C)		

### 3 Collegamento alla rete elettrica richiesto

→ Funziona solamente su rete dotata di collegamento a terra (rete con sistema TN). Non è consentito l'utilizzo in collegamento con una rete con sistema IT.

### 4 Installazione

Pericolo di schiacciamento. Il dispositivo di controllo bullonatrice potrebbe cadere e schiacciare i piedi dell'operatore.

→ Utilizzare un'attrezzatura di sollevamento adeguata.

Dispositivo di controllo bullonatrice	Tensione in ingresso, fase singola	Frequenza	Corrente in ingresso 16 A max.
mPro400GC-P	115 VAC (104-126 VAC) 230 VAC (207-254 VAC)	50-60 Hz	2 A 1 A
mPro400GC-P230	230 VAC (207-254 VAC)		1 A
mPro400GC-S	115 VAC (104-126 VAC) 230 VAC (207-254 VAC)		2 A 1 A
mPro400GC-S230	230 VAC (207-254 VAC)		1 A
mPro400GC-M	115 VAC - 230 VAC (104-254 VAC)		1 A - 0,5 A
mPro400GC-E	115 VAC (104-126 VAC) 230 VAC (207-254 VAC)		2 A 1 A
mPro400GC-I	115 VAC (104-126 VAC) 230 VAC (207-254 VAC)		2 A 1 A

- Indossare calzature antinfortunistiche.
- Garantire un montaggio sufficiente del dispositivo di controllo bullonatrice: 4xM6, fissate per evitare un possibile allentamento (vedere Descrizione hardware P2174HW).
- Posare tutti i cavi collegati e la linea in modo sicuro, così che non possano venire danneggiati e nessuno possa inciamparsi.
- Non superare una lunghezza totale del cavo pari a 65,6 ft. (20 m). Qualora si eccedesse tale lunghezza, sarà necessario utilizzare un trasformatore di isolamento APEX, codice d'ordine 544185PT.

In case di guasto, potrebbe aver luogo una dispersione dell'alta tensione, causando lesioni come già menzionato in precedenza.

- Utilizzare il cavo di alimentazione accluso. In fase di ricarica, utilizzare un centro di gestione della rete conforme agli standard.
- A 115 VAC: utilizzare cavi con una sezione (trasversale) maggiore.
- Stabilire un collegamento equipotenziale tra macchina/pezzo in lavorazione e utensile.
- Prima di mettere sotto tensione il dispositivo di controllo bullonatrice accertarsi che tutti i collegamenti siano stati realizzati in modo appropriato (vedere Descrizione Hardware P2174W).

### 5 Prima della messa in funzione iniziale

- Prima della prima messa in funzione iniziale eseguire una misurazione PE secondo i regolamenti locali in vigore (DGUV Prescrizione 3 in Germania).
- Osservare le note di sicurezza del dispositivo di controllo bullonatrice e dell'utensile.
- Controllare il dispositivo di controllo bullonatrice, l'utensile e il cavo per individuare eventuali difetti evidenti.
- Durante la sostituzione, la pulizia e la messa fuori servizio, arrestare e scollegare il dispositivo di controllo bullonatrice prima di collegare la corrente e il cavo dell'utensile.

### 6 Funzionamento

- Spegnerne immediatamente il dispositivo di controllo bullonatrice in caso di suoni, vibrazioni o odori insoliti. Scollegare l'alimentazione, fare controllare ed eventualmente riparare il sistema di avvitatura da personale qualificato.
- Sostituire immediatamente i cavi danneggiati.

### 7 Manutenzione

- Impostare un programma di manutenzione di sicurezza e accertarsi che venga rispettato. Questo programma deve garantire la conformità con i regolamenti, le ispezioni e la manutenzione per tutte le fasi di vita del dispositivo di controllo bullonatrice.

→ Testare la protezione contro i guasti a terra nell'intervallo di tempo in questione secondo i regolamenti applicabili a livello locale (DGUV Prescrizione 3 in Germania).

### mPro400GC-P, mPro400GC-S

→ Premere il pulsante di test posto sul pannello inferiore del dispositivo di controllo bullonatrice.

### mPro400GC-P230, mPro400GC-S230

→ Controllare il circuito di dispersione verso terra mediante l'apposita presa *GFCI Test* (vedere manuale per la manutenzione P2249WA) o

→ Premere il pulsante di test posto sul pannello inferiore del dispositivo di controllo bullonatrice.

## Istruzioni generali di sicurezza per elettroutensili

### AVVERTENZA



**Leggere tutte le avvertenze e le istruzioni per la sicurezza.**

Qualsiasi inosservanza delle avvertenze e istruzioni per la sicurezza può causare scosse elettriche, incendi e/o lesioni di grave entità.

### Conservare tutte le avvertenze e le istruzioni per la sicurezza per riferimento futuro.

Il termine "elettrotensile" utilizzato nelle presenti istruzioni per la sicurezza si riferisce ad un utensile caratterizzato da un'alimentazione elettrica (con cavo di alimentazione) e anche ad utensili elettrici alimentati a batteria (privi di cavo di alimentazione).

## 1 Sicurezza sul lavoro

**a) Tenere la propria area di lavoro pulita e ben illuminata.** Il disordine e/o le aree di lavoro non illuminate possono essere causa di incidenti.

**b) Non lavorare mai con l'elettrotensile in un ambiente soggetto a rischio di esplosioni, cioè contenente liquidi, gas o polveri infiammabili.** Gli elettrotensili creano scintille che possono dare fuoco a quel tipo di polvere o a quel vapore.



**c) Tenere i bambini e altre persone a distanza quando si utilizza l'elettrotensile.** La distrazione può fare perdere il controllo del dispositivo.

## 2 Sicurezza elettrica

**a) Il connettore dell'alimentazione sull'utensile ad alimentazione elettrica deve essere adatto alla presa o alla morsettiere. Non modificare il connettore in alcun modo. Non utilizzare mai un adattatore per connettori con elettrotensili dotati di messa a terra.** Connettori non modificati e morsettiere/prese appropriate riducono il rischio di possibili scosse elettriche.

**b) Evitare il contatto fisico con superfici provviste di messa a terra quali tubazioni, radiatori, cucine e frigoriferi.** Sussiste un rischio maggiore di scossa elettrica se il proprio corpo è collegato a terra.

**c) Conservare gli elettrotensili lontano dalla pioggia e dall'umidità.** L'infiltrazione di acqua in un elettrotensile aumenta il rischio di scosse elettriche.

**d) Non utilizzare il cavo in modo scorretto, cioè per trasportare l'utensile, appenderlo o per estrarre**

**(tirandolo) il connettore dalla presa/morsettiere. Tenere il cavo lontano da fonti di calore, olio, bordi affilati o parti in movimento.** Cavi danneggiati o aggrovigliati aumentano il rischio di scosse elettriche.

**e) Se si sta lavorando all'aperto con un elettrotensile, utilizzare sempre prolunghe che siano adatte per uso esterno.** L'utilizzo di una prolunga adatta per uso esterno riduce il rischio delle scosse elettriche.

**f) Qualora non sia possibile evitare di mettere in funzione un elettrotensile in un ambiente umido, utilizzare un dispositivo di protezione per correnti residue.** L'impiego di un dispositivo di protezione per correnti residue riduce il rischio delle scosse elettriche.

## 3 Sicurezza delle persone

**a) Procedere con cautela, prestare attenzione a quello che si sta facendo e agire in modo ragionevole in qualunque momento si stia utilizzando un elettrotensile. Non utilizzare mai un elettrotensile qualora ci si trovi sotto l'influenza di droghe, alcool, o farmaci.** Un momento di distrazione durante l'uso di un elettrotensile può causare lesioni gravi.

**b) Indossare i propri dispositivi di protezione individuale (DPI) e indossare sempre occhiali di protezione.** Indossare dispositivi di protezione personale quali mascherine parapolvere, calzature antinfortunistiche antiscivolo, elmetti o cuffie antirumore può, in funzione del tipo di utilizzo e dell'elettrotensile, contribuire alla riduzione del rischio di lesioni.



**c) Evitare accensioni accidentali. Accertarsi che l'elettrotensile sia spento prima di collegarlo alla rete elettrica principale o alla batteria, sollevarlo o trasportarlo.** Si possono verificare incidenti se si tiene il dito sull'interruttore, e/o il dispositivo viene acceso e/o connesso alla rete elettrica principale.

**d) Rimuovere eventuali utensili o chiavi per la messa a punto prima di accendere un elettrotensile.** Si possono verificare lesioni se un utensile o una chiave vengono lasciati in un elemento rotante dell'attrezzatura.

**e) Evitare posture fisiche anormali o inusuali. Accertarsi di avere una posizione salda e mantenere l'equilibrio in ogni momento.** Ciò significa che si ha un migliore controllo dell'elettrotensile in situazioni impreviste.

**f) Indossare un abbigliamento appropriato. Non indossare mai indumenti ampi o gioielli. Tenere i capelli, gli abiti e i guanti ben lontani da parti in movimento.** Indumenti ampi, gioielli o capelli lunghi possono venire "catturati" dalle parti in movimento.




**g) Se è possibile installare un depolverizzatore e l'attrezzatura di raccolta, accertarsi che questi dispositivi siano connessi e utilizzati in modo corretto.** L'utilizzo di un depolverizzatore può ridurre i rischi associati alla polvere.

## 4 Uso e gestione di un elettrotensile

**a) Non sovraccaricare mai il dispositivo. Utilizzare il corretto elettrotensile per il lavoro da eseguire.** L'impiego del corretto elettrotensile consentirà di lavorare meglio e con un maggior livello di sicurezza nell'ambito dello specifico range di prestazioni.

**b) Non usare mai un elettrotensile con un interruttore difettoso.** Un elettrotensile che non può più essere acceso/spento è pericoloso e deve essere riparato.



- a)  **Estrarre il connettore dal dispositivo di controllo bullonatrice e/o il cavo utensile dalla presa/morsettiera e/o rimuovere o scollegare la batteria prima di alterare le impostazioni dell'utensile, modificare gli accessori o di deporre nuovamente l'utensile.** Queste misure precauzionali evitano un riavvio accidentale dell'elettroscopio.
- b) **Quando non viene utilizzato, tenere gli elettroscopio fuori della portata dei bambini. Non consentire a nessuno di utilizzare il dispositivo se non ha familiarità con il funzionamento dello stesso, o se non ha letto le istruzioni per l'uso.** Gli elettroscopio sono pericolosi se utilizzati da personale inesperto.
- c) **Trattare gli elettroscopio con cura. Controllare per accertarsi che le parti mobili funzionino perfettamente e non si inceppino. Controllare anche per accertarsi che nessun componente sia rotto o danneggiato in modo tale da compromettere il corretto funzionamento dell'elettroscopio. Provvedere affinché i componenti danneggiati vengano riparati prima di utilizzare il dispositivo.** Elettroscopio sottoposti ad una manutenzione insufficiente sono stati la causa di molti incidenti.
- d) **Mantenere gli utensili da taglio affilati e puliti.** Utensili da taglio caratterizzati da bordi affilati e sottoposti ad accurata manutenzione si inceppano meno frequentemente e sono più facili da guidare e far funzionare.
- e) **Utilizzare sempre elettroscopio, accessori e utensili da impatto in conformità alle presenti istruzioni. Prestare attenzione anche alle condizioni ambientali della postazione di lavoro e alla natura del lavoro che deve essere svolto.** Possono insorgere situazioni pericolose qualora gli elettroscopio vengano utilizzati per applicazioni differenti da quelle per le quali sono stati ideati.

## 5 Assistenza

- a) **Fare sempre in modo che il proprio elettroscopio venga riparato da tecnici specializzati opportunamente qualificati<sup>1)</sup> e utilizzare sempre parti di ricambio originali.** In tal modo verrà assicurato il mantenimento dell'elevato standard di sicurezza dell'elettroscopio.

## Specifiche istruzioni per la sicurezza per bullonatrici elettriche portatili

### 1 Sicurezza elettrica

- a) Garantire che la connessione PE abbia una sorgente a bassa corrente.
- b) Utilizzare un trasformatore per cavi di lunghezza superiore a 66 ft. (20 m). Max. 164 ft. (50 m).

### 2 Sicurezza delle persone

- a) Serie 18ET/EC, 48ET/EC: la pressione accidentale del tasto Avvio può far sì che il mandrino (portainseri) possa ruotare nella testina (ad esempio quando viene deposto l'utensile). Ciò potrebbe schiacciare o anche tagliare le dita dell'operatore. Non introdurre mai le dita all'interno del mandrino. Per cambiare l'insero, scollegare dapprima il cavo utensile.

1. In considerazione di formazione professionale, conoscenza, esperienza e comprensione delle circostanze implicate in questo tipo di lavoro, il personale adeguatamente qualificato è in grado di individuare potenziali pericoli e di mettere in atto adeguate misure di sicurezza precauzionali. Il personale qualificato è obbligato a seguire i regolamenti, cioè ad obbedire alle regole.

- b) È proibito indossare i guanti.
- c) Afferrare saldamente l'utensile con la mano. Tenersi pronti per rapidi cambiamenti nella coppia di reazione.
- d) Quando si utilizza l'utensile in spazi limitati e con coppie superiori a
- 3 ft.lbf (4 Nm) per utensili dritti
  - 7 ft.lbf (10 Nm) per utensili modello a pistola
  - 44 ft.lbf (60 Nm) per utensili ad angolo
- utilizzare sempre una barra di reazione. Se in uso, non appoggiare mai la mano sulla barra di reazione.
- e) Controllare che il gancio di sospensione sia adeguatamente fissato al bilanciere.

Utensili con lettore di codici a barre integrato



Prodotto laser classe 2

I laser scanner di classe 2 utilizzano un diodo laser che produce un raggio di luce visibile a bassa potenza, paragonabile ad una fonte luminosa molto intensa, come il sole.

Procedere in questo modo potrebbe causare danni alla vista.

- a) Non rivolgere lo sguardo in direzione del raggio laser.
- b) Riparare immediatamente eventuali guasti alle parti ottiche.
- c) Non sono consentite modifiche al lettore di codici a barre.
- d) Mettere immediatamente fuori servizio gli utensili eventualmente difettosi.

## 3 Utilizzo e gestione di una bullonatrice elettrica portatile

- a) Utilizzare solo inserti di avvitamento per utensili a controllo meccanico.
- b) Accertarsi che gli inserti di avvitamento siano saldamente in sede.
- c) Non fissare inserti alla testina di avvitamento ad angolo.
- d) Non utilizzare mai una pulitrice ad alta pressione/spruzzatore per pulire l'utensile.
- e) Non immergere l'utensile in un prodotto detergente.

## 4 Uso conforme

Questo prodotto è parte del sistema di avvitatura APEX ed è progettato esclusivamente per avvitare/svitare raccordi filettati.

→ Utilizzare solamente in combinazione con una serie di controllo mPro400GC, accessori e cavi utensile forniti da Apex Tool Group.

→ Non utilizzare come martello o per una nuova piegatura.

→ Non aprire né apportare modifiche strutturali.

→ Non utilizzare in ambiti soggetti a rischio d'esplosione.

## 5 Condizioni ambientali

Funzione	Temperatura	Umidità relativa	Altezza di lavoro
Trasporto / Magazzinaggio	da -13°F a +158°F (da -25°C a +70°C)	0...90% senza formazione di rugiada	fino a 9800 ft. (3000 m) s.l.m
Funzionamento	da +32°F a +113°F (da 0°C a +45°C)		

## 2 Articoli forniti, trasporto/ magazzino:

### Articoli forniti

Verificare che il prodotto non presenti danni imputabili al trasporto e accertarsi che la fornitura ricevuta sia completa:

- Prodotto corretto
- Istruzioni per l'uso
- Dichiarazione di conformità

### Trasporto / Magazzinaggio

Trasportare o stoccare nell'imballo originale. Scollegare l'alimentazione elettrica durante il magazzinaggio. La confezione è riutilizzabile. Fare riferimento alle Condizioni Ambientali riportate nelle istruzioni per la sicurezza.

## 3 Descrizione prodotto:

### Bullonatrici con cavo

- Motore brushless a bassa inerzia con trasduttore di posizione angolare. L'arresto è controllato dalla coppia/dall'angolo.
- Preamplificatore integrato, compresa memoria di servizio. Autoidentificazione dell'utensile quando è connesso ad un dispositivo di controllo.
- L'indicatore a LED fornisce informazioni in merito all'attuale esito dell'avvitatura.
- Rotazione in senso orario/antiorario
- I parametri di fissaggio sono stabiliti dal dispositivo di controllo.
- Trasmissione dati ed energia fornita tra il dispositivo di controllo e l'utensile mediante il cavo utensile.



Bullonatrici con cavo	
Rif.	Descrizione
1	Collegamento alimentazione
2	Pulsante di avvio
3	Meccanismo di inversione
4	Anello luminoso a LED
5	Gruppo motore
6	Trasmissione
7	Testa

### Indicatore ad anello luminoso a LED

LED	Descrizione
Luce verde continua	OK
Luce rossa continua	NOK
Giallo	Consenso

## 4 Prima della messa in funzione iniziale:

### Alimentazione

L'alimentazione per la bullonatrice viene fornita mediante un collegamento in rete con un dispositivo di controllo utensile.

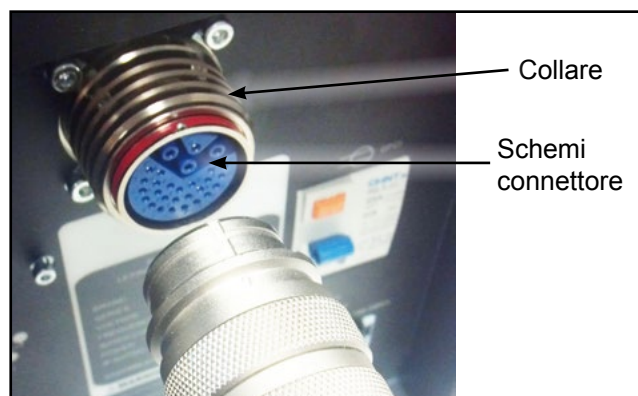
### Collegamento via cavo con l'utensile

Inserire l'estremità di connessione utensile del cavo nell'impugnatura della bullonatrice. Allineare la chiave sul connettore del cavo con l'attuatore sull'impugnatura dell'utensile. Questo consentirà alla chiave di innestarsi nella sede di accoppiamento all'interno dell'impugnatura. Inserire il collare del cavo nell'impugnatura dell'utensile e serrare a fondo.



### Collegamento via cavo con il dispositivo di controllo

Connettere l'altra estremità del cavo al connettore utensile nel dispositivo di controllo. Accertarsi che il collare sul connettore dell'utensile di controllo venga spinto verso il dispositivo di controllo. Allineare gli schemi del connettore sul cavo utensile e sul connettore del dispositivo di controllo. Spingere il connettore cavo nel connettore del dispositivo di controllo e tirare il collare verso il cavo per bloccare il connettore cavo in posizione.





## Dispositivo di controllo globale mPro400GC-I

### Cavi utensile

Serie 48EAE	Lunghezza cavo		IT Descrizione
	Piedi	Metri	
<b>Cavi non dell'Unione Europea - Connettore Air-LB</b>			
301866-XXX *	3 - 49	1 - 15	Cavo utensile (1)
301904-XXX *	3 - 49	1 - 15	Cavo orientabile in linea (1)
301903-XXX *	3 - 49	1 - 15	Cavo orientabile ad angolo retto (1)
301877-XXX	3 - 66	1 - 20	Prolunga
<b>Cavi dell'Unione Europea - Connettore Air-LB</b>			
961259-XXX **	3 - 66	1 - 20	Cavo utensile (1)
961250-XXX **	3 - 66	1 - 20	Cavo utensile (2)
961251-XXX **	3 - 66	1 - 20	Cavo orientabile in linea (2)
961252-XXX **	3 - 66	1 - 20	Cavo orientabile ad angolo retto (2)
961249-XXX **	3 - 66	1 - 20	Prolunga

\* Nota: i cavi da 3 ft. e 6 ft. (1 m e 2 m) devono essere utilizzati con il cavo di prolunga 301877.

\*\* Nota: una lunghezza di 20 m non richiede l'impiego di un trasformatore.

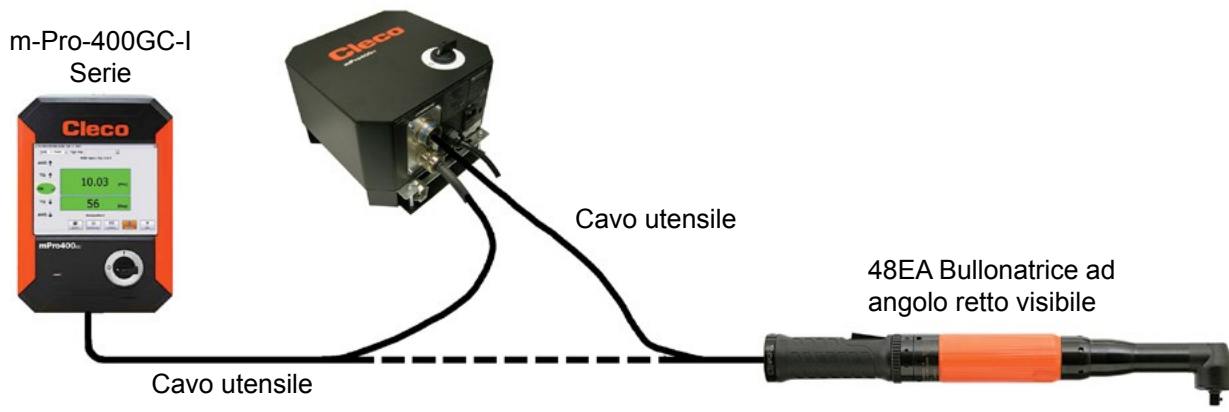
(1) Durata standard

(2) Durata elevata

Serie 48EA	Lunghezza cavo		IT Descrizione
	Piedi	Metri	
<b>Cavi non dell'Unione Europea - Connettore Matrix</b>			
542778-XXX *	3 - 49	1 - 15	Cavo utensile (1)
544056-XXX *	3 - 49	1 - 15	Cavo orientabile in linea (1)
544055-XXX *	3 - 49	1 - 15	Cavo orientabile ad angolo retto (1)
542779-XXX	3 - 66	1 - 20	Prolunga
<b>Cavi dell'Unione Europea - Connettore Matrix</b>			
-----	-----	-----	-----
-----	-----	-----	-----
-----	-----	-----	-----
-----	-----	-----	-----
-----	-----	-----	-----

\* Nota: i cavi da 3 ft. e 6 ft. (1 m e 2 m) devono essere utilizzati con il cavo di prolunga 542779.

(1) Durata standard



## 5 Messa in funzione iniziale:

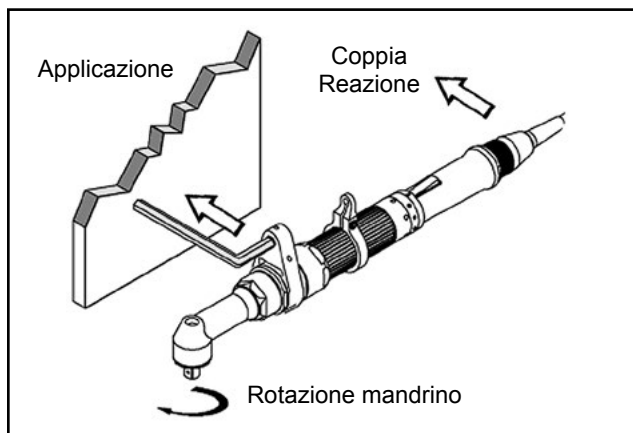
### Messa in esercizio

#### AVVERTENZA



Pericolo di schiacciamento per le mani.

→ Utilizzare sempre una barra di reazione coppia per le applicazioni in uno spazio ristretto o coppia elevata: utensili in linea (4 Nm), utensili con impugnatura a pistola (10 Nm), utensili ad angolo retto (60 Nm).



### Esecuzione dell'avvitamento di un raccordo

Le bullonatrici della serie 48E sono state configurate da Apex Tool Group. Un'impostazione specifica per un determinato accoppiamento a vite deve essere eseguita sul dispositivo di controllo bullonatrice da personale qualificato<sup>1</sup>. La messa in funzione iniziale può variare in funzione del tipo e della programmazione del dispositivo di controllo bullonatrice. Fare riferimento al Manuale di programmazione del dispositivo di controllo bullonatrice.

- Accertarsi che il cavo utensile sia saldamente collegato all'utensile e al dispositivo di controllo.
- Accertarsi che il dispositivo di controllo sia alimentato e adeguatamente programmato (fare riferimento ai manuali del dispositivo di controllo).
- Accertarsi che il meccanismo di inversione si trovi nella posizione corretta.
- Posizionare la presa o l'inserto nell'applicazione e azionare l'attuatore per avviare l'avvitamento.
- Quando la bullonatrice si arresta, rilasciare l'attuatore.
- Rimuovere la bullonatrice dall'applicazione.

1. Con "personale qualificato" si intendono coloro che sono in grado di riconoscere possibili rischi e mettere in atto le misure di sicurezza necessarie grazie alla propria formazione professionale, alle conoscenze e all'esperienza, nonché alla capacità di comprendere le condizioni rilevanti per il lavoro da eseguire. Il personale qualificato deve rispettare i regolamenti

## Manutenzione

Implementare un programma completo per la manutenzione di sicurezza atta a garantire la regolare ispezione per tutte le fasi di funzionamento dell'utensile e dell'apparecchio di alimentazione dell'aria.

Attività giornaliere:

- Controllo visivo di tutti i cavi e i collegamenti
- Controllo visivo di tutti i componenti esterni dell'utensile
- Verificare che l'utensile non produca vibrazioni eccessive o rumori insoliti

A circa 100.000 avvitamanti:

- Controllare che il cavo dell'utensile non presenti danni o usura
- Controllare che il collegamento del cavo dell'utensile sia fissato in modo sicuro
- Controllare che il mandrino di uscita non presenti danni o usura
- Verificare la velocità massima a vuoto

A circa 500.000 avvitamanti:

- Smontare l'utensile e controllare tutti i componenti per verificare che non presentino danni o usura; all'occorrenza sostituirli
- Pulire e lubrificare la testa ad angolo, la trasmissione e i cuscinetti motore
- Se presente, ricalibrare il trasduttore

A circa 1.000.000 di avvitamanti:

- Smontare l'utensile e controllare tutti i componenti per verificare che non presentino danni o usura; all'occorrenza sostituirli
- Pulire e lubrificare la testa ad angolo, la trasmissione e i cuscinetti motore
- Se presente, ricalibrare il trasduttore

## Lubrificanti

L'applicazione degli utensili per assemblaggio determina la frequenza della lubrificazione. Tutte le trasmissioni dovrebbero essere lubrificate abbondantemente durante ogni intervallo di manutenzione.

Num. ricambio	Confezionato	Grasso
540395	2 oz. (0.06 kg)	Magnalube-G
513156	16 oz. (0.45 kg)	Magnalube-G
541444	2 oz. (0.06 kg)	Rheolube 363AX-1
541445	16 oz. (0.45 kg)	Rheolube 363AX-1

## 6 Ricerca errori:

Malfunzionamento	Possibili cause	Rimedio
L'utensile non si avvia	Interruttore di avvio difettoso	→ Sostituire l'interruttore di avvio
	Nessuna velocità (giri/min) programmata	→ Programmare una velocità per tutti gli stadi attivi
	Dispositivo di controllo in attesa di abilitazione utensile	→ Attivare input <i>Abilita utensile</i> o, se non richiesto, disattivare <i>Abilita utensile</i>
	Cavo difettoso	→ Riparare o sostituire il cavo
	Pin piegati nel cavo o nell'utensile	→ Raddrizzare i pin di contatto o sostituire il connettore difettoso
	Dati di autoidentificazione non riconosciuti dopo il cambio utensile	→ Accetta <i>Dati</i> di nuovo (Regolaz. utensile)
Nessun segnale acustico in seguito alla connessione del cavo utensile	Software non corretto	→ Verificare il software del dispositivo di controllo / software della scheda di misurazione
	Cavo difettoso	→ Sostituire il cavo
	Utensile difettoso	→ Sostituire l'utensile
L'utensile non si avvia quando è attiva la rotazione in senso antiorario	Con la rotazione in senso antiorario, il parametro per la velocità è impostato a 0 giri/min.	→ Programmare la velocità per la rotazione in senso antiorario
L'utensile non si avvia nella direzione di avvitamento, ma non con rotazione in senso antiorario	Nessuna velocità programmata per la rotazione in senso antiorario	→ Programmare la velocità per la rotazione in senso antiorario
	Interruttore senso di rotazione difettoso	→ Sostituzione gruppo interruttore di avvio/inversione di rotazione
	Cavo difettoso	→ Riparare o sostituire il cavo
	Pin piegati nel cavo o nell'utensile	→ Raddrizzare i pin di contatto o sostituire il connettore difettoso
L'utensile si spegne alla coppia desiderata ma senza indicazione dell'angolo	Il momento di soglia è troppo elevato	→ Correggere la sequenza di serraggio o ridurre il valore del momento di soglia
L'utensile si spegne troppo presto	L'operatore rilascia l'interruttore di avviamento prima che il dispositivo di controllo arresti l'utensile	→ Accertarsi che l'operatore tenga premuto l'interruttore di avvio durante l'intera sequenza.
	Il tempo di avvitatura eccede il tempo standard di 10 secondi.	→ Incrementare il tempo di avvitatura
	L'utensile supera il setpoint dell'angolo	→ Controllare la sequenza di avvitatura al fine di garantire che il valore di arresto coppia e/o il setpoint dell'angolo siano corretti. Regolare se necessario. Verificare se il raccordo filettato è cambiato in modo significativo.
L'utensile non varia la velocità	La velocità rimane invariata in tutte le fasi	→ Accertarsi che la velocità e l'angolo di commutazione nelle diverse fasi siano corretti.
I LED sull'utensile iniziano a lampeggiare quando viene attivato l'interruttore di inversione	Questa è una normale funzione definita nei parametri di default.	→ Attivare o disattivare la casella di controllo <i>Lampeggio dei LED in rotazione sinistrorsa</i>
Avvertimento nella VIDEATA PROCESSO: <i>Offset trasduttore 1/2 NOK</i>	Il trasduttore non ritorna ad un valore della coppia pari a zero.	→ Il trasduttore è stato sovraccaricato e deve essere sostituito
	Cablaggio errato nell'utensile o nel cavo	→ Controllare l'utensile utilizzando un cavo differente. I valori di offset e calibrazione possono essere verificati nel menu <i>Diagnosi</i> .
Avvertimento nella VIDEATA PROCESSO: <i>Utensile offline!</i>	L'utensile non è stato accettato nella schermata <i>Impostazioni utensile</i>	→ Controllare il menu Lista utensili per accertarsi che l'utensile sia stato accettato. Se così non fosse, lo stato riporterà la seguente dicitura <i>Accettazione manuale necessaria</i> . La linea corretta deve essere contrassegnata prima che l'impostazione possa essere accettata nel menu <i>Impostazioni utensile</i> .
	Un cavo difettoso impedirà all'utensile di essere riconosciuto dal dispositivo di controllo della bullonatrice.	→ Riparare o sostituire il cavo
Diversa visualizzazione della coppia nel trasduttore di controllo ed esterno	È necessario regolare il fattore di calibrazione della coppia (Cal. coppia) nelle <i>Impostazioni utensile</i> .	→ Regolare il fattore Cal. coppia ( <i>Impostazioni utensile</i> ) utilizzando la seguente formula: Nuovo valore di calibrazione = (valore esterno / valore utensile) x valore di calibrazione utilizzato
	È stata aggiunta all'utensile una testa ad angolo del Cliente. La memoria utensili deve essere aggiornata.	→ Riprogrammare la memoria utensili
Il cavo utensile non si adatta all'impugnatura utensile	Cavo errato. Gli utensili in uso con il dispositivo di controllo bullonatrice mPro400GC utilizzano un connettore Air-LB. Il connettore ha una grandezza diversa rispetto al connettore Matrix utilizzato in precedenza.	→ Utilizzare il cavo corretto per l'utensile in uso.

## 7.1 Serie 48E Dati prestazioni:

### Serie 48E Bullonatrice con dispositivo di controllo corrente - Connettore utensile Air-LB \*

Numero modello	Gamma utensile				Velocità max (giri/min)	Lunghezza		Peso		Altezza testa		Bordo-centro		Dimensione attacco uscita
	Coppia max		Coppia min.			in	mm	libbre	kg	in	mm	in	mm	
	lb <sub>r</sub> ×ft	Nm	lb <sub>r</sub> ×ft	Nm										
<b>Serie 48EA Bullonatrice ad angolo retto **</b>														
48EAE15AL3	11.1	15	2.2	3	2855	15.7	398	3.8	1.7	1.6	41	0.59	15	3/8"
48EAE28AL3	20.7	28	4.4	6	1300	16.2	410	4.1	1.9	1.6	41	0.59	15	3/8"
48EAE41AM3	30.2	41	6.6	9	1090	17.3	440	4.3	2.0	1.9	48	0.75	19	3/8"
48EAE58AM3	42.8	58	8.9	12	770	17.3	440	4.3	2.0	1.9	48	0.75	19	3/8"
48EAE58AM4	42.8	58	8.9	12	770	17.3	440	4.3	2.0	1.9	48	0.75	19	1/2"
48EAE90AH4	64.2	87	13.3	18	515	18.5	470	6.6	3.0	2.3	58	0.81	21	1/2"
48EAE105AH4	76.7	104	15.5	21	340	18.5	470	6.6	3.0	2.3	58	0.81	21	1/2"
48EAE135MH4	98.1	133	19.9	27	265	19.1	485	7.3	3.3	2.4	61	0.94	24	1/2"
48EAE175AX6	129.8	176	26.6	36	190	21.6	549	10.2	4.6	2.7	69	1.06	27	3/4"
48EAE230AX6	169.6	230	33.9	46	145	21.6	549	10.2	4.6	2.7	69	1.06	27	3/4"
<b>Serie 48EA Bullonatrice ad angolo retto con mandrino flottante</b>														
48EAE37S231	27.2	37	5.9	8	1225	18.7	474	5.4	2.4	2.7	69	0.67	17	3/8"
48EAE52S231	38.3	52	8.1	11	860	18.7	474	5.4	2.4	2.7	69	0.67	17	3/8"
48EAE53S341	39.1	53	8.1	11	850	20.0	509	6.0	2.7	3.3	83	0.87	22	1/2"
48EAE75S341	55.3	75	11.0	15	600	20.0	509	6.0	2.7	3.3	83	0.87	22	1/2"
48EAE95S341	70.0	95	14.7	20	460	20.5	521	7.4	3.4	3.3	83	0.87	22	1/2"
48EAE110S341	81.1	110	16.9	23	400	20.5	521	7.4	3.4	3.3	83	0.87	22	1/2"
48EAE135S461	99.5	135	20.6	28	270	20.6	522	8.9	4.0	3.7	94	1.06	27	3/4"
48EAE230S461	169.6	230	34.6	47	150	22.2	563	10.6	4.8	3.7	94	1.06	27	3/4"
<b>Serie 48EA Bullonatrice ad angolo retto con presa a filo</b>														
48EAE37F2	27.3	37	5.9	8	1225	18.7	474	5.4	2.4	1.7	43	0.67	17	----
48EAE52F2	38.3	52	8.1	11	860	18.7	474	5.4	2.4	1.7	43	0.67	17	----
48EAE53F3	39.0	53	8.1	11	850	20.0	509	6.0	2.7	2.3	59	0.87	22	----
48EAE75F3	55.3	75	11.1	15	600	20.0	509	6.0	2.7	2.3	59	0.87	22	----
48EAE110F3	81.1	110	17.0	23	400	20.5	521	7.4	3.4	2.3	59	0.87	22	----
48EAE135F4	99.5	135	19.9	27	270	20.6	522	8.9	4.0	2.4	61	1.06	27	----
48EAE230F4	172.6	230	34.7	47	150	22.2	563	10.6	4.8	2.4	61	1.06	27	----
<b>Serie 48EA Bullonatrice ad angolo retto</b>														
48EAE53H	39.8	54	8.1	11	850	20.2	512	7.9	3.6	2.4	61	1.06	27	----
48EAE75H	56.8	77	11.1	15	600	20.2	512	7.9	3.6	2.4	61	1.06	27	----
48EAE110H	85.6	115	17.0	23	400	20.2	512	8.9	4.0	2.4	61	1.06	27	----
48EAE135H	101.8	135	20.7	28	270	20.6	522	8.9	4.0	2.4	61	1.06	27	----
48EAE230H	169.6	230	34.7	47	150	22.2	563	10.6	4.8	2.4	61	1.06	27	----
<b>Serie 48EC Bullonatrice in linea</b>														
48ECE30C1	22.1	30	7.7	10	860	20.5	521	5.5	2.3	1.7	43	0.63	16	----
48ECE30C3	22.1	30	7.7	10	860	20.5	521	5.5	2.3	1.6	40	0.63	16	----
<b>Serie 48EP Bullonatrice con impugnatura a pistola **</b>														
48EPE12Q	8.9	12	2.2	3	4000	8.3	211	2.7	1.2	----	----	0.84	21	1/4" Hex
48EPE12D2	8.9	12	2.2	3	4000	7.7	196	2.7	1.2	----	----	0.84	21	1/4"
48EPE25D3	18.4	25	4.4	6	1820	8.4	213	2.9	1.3	----	----	0.84	21	3/8"
48EPE36D3	26.6	36	5.9	8	1290	8.4	213	2.9	1.3	----	----	0.84	21	3/8"
48EPE48D3	35.4	48	7.4	10	985	8.6	218	3.0	1.4	----	----	0.84	21	3/8"
48EPE65D4	47.9	65	9.6	13	750	10.8	274	5.0	2.3	----	----	0.91	23	1/2"
48EPE90D4	66.4	90	14.0	19	510	11.3	287	5.3	2.4	----	----	0.91	23	1/2"
48EPE125D4	92.2	125	19.2	26	360	11.3	287	5.3	2.4	----	----	0.91	23	1/2"
48EPE150D4	110.6	150	22.9	31	240	11.3	287	5.3	2.4	----	----	0.91	23	1/2"
48EPE200D6	144.0	195	92.0	125	180	16.2	410	9.5	4.3	----	----	1.13	29	3/4"
48EPE500D6	368.0	500	225.0	300	53	16.2	410	9.8	4.5	----	----	1.13	29	3/4"
48EPE1000D8	740.0	1000	370.0	500	33	19.2	486	16.2	7.3	----	----	1.50	38	1"

\* Nota: Connettore utensile Air-LB - le caratteristiche tecniche sono identiche.

\*\* Nota: modelli con arresto a clip. Le specifiche per i modelli con arresto a sfera (terminazione B) sono le stesse.

## 7.1 Serie 48E Dati prestazioni (continua):

Serie 48E Bullonatrice con dispositivo di controllo corrente - Connettore utensile Air-LB \*

Numero modello	Gamma utensile				Velocità max (giri/min)	Lunghezza		Peso		Altezza testa		Bordo-centro		Dimensione attacco uscita
	Coppia max		Coppia min.			in	mm	libbre	kg	in	mm	in	mm	
	lb <sub>t</sub> ×ft	Nm	lb <sub>t</sub> ×ft	Nm										
<b>Serie 48ES Bullonatrice in linea **</b>														
48ESE12Q	8.9	12	2.2	3	4000	13.5	343	3.0	1.4	---	---	0.91	23	1/4" Hex
48ESE12D2	8.9	12	2.2	3	4000	13.0	330	3.0	1.4	---	---	0.91	23	1/4"
48ESE25D3	18.4	25	4.4	6	1820	13.6	345	3.2	1.5	---	---	0.91	23	3/8"
48ESE36D3	26.6	36	5.9	8	1290	13.6	345	3.2	1.5	---	---	0.91	23	3/8"
48ESE48D3	35.4	48	7.4	10	985	13.8	351	3.3	1.5	---	---	0.91	23	3/8"
48ESE65D4	47.9	65	9.6	13	750	16.6	420	5.3	2.4	---	---	1.13	29	1/2"
48ESE90D4	66.4	90	14.0	19	510	17.1	435	5.6	2.5	---	---	1.13	29	1/2"
48ESE125D4	92.2	125	19.2	26	360	17.1	435	5.6	2.5	---	---	1.13	29	1/2"
48ESE150D4	110.6	150	22.9	31	240	17.1	435	5.6	2.5	---	---	1.13	29	1/2"
<b>Serie 48ES Bullonatrice in linea con mandrino flottant</b>														
48ESE12ZA	8.9	12	2.2	3	4000	16.7	425	3.4	1.5	---	---	0.91	23	1/4"
48ESE271ZB	19.9	27	5.9	8	1820	22.0	559	5.8	2.6	---	---	0.92	23	3/8"
48ESE361ZB	26.6	36	5.2	7	1290	22.0	559	5.8	2.6	---	---	0.92	23	3/8"
48ESE602ZB	42.0	57	8.1	11	855	24.4	620	8.4	3.8	---	---	1.10	28	1/2"
48ESE702ZB	50.2	68	10.3	14	570	24.4	620	8.4	3.8	---	---	1.10	28	1/2"
48ESE802ZB	60.5	82	12.5	17	450	26.7	678	9.6	4.4	---	---	1.10	28	1/2"
48ESE1152ZB	84.8	115	18.4	25	320	26.7	678	9.6	4.4	---	---	1.10	28	1/2"
48ESE1502ZB	110.6	150	22.9	31	245	26.7	678	9.6	4.4	---	---	1.10	28	1/2"
48ESE1653ZB	121.7	165	24.3	33	220	28.6	726	14.6	6.6	---	---	1.57	40	3/4"
48ESE2503ZB	182.9	548	36.8	50	145	28.6	726	14.6	6.6	---	---	1.57	40	3/4"
<b>Serie 48ET Bullonatrice in linea</b>														
48ETE20T2	14.8	20	7.4	10	1425	16.9	430	4.4	2.0	---	---	0.78	20	1/2"
48ETE30T3	22.1	30	11.1	15	1030	16.6	422	4.5	2.0	---	---	0.83	21	3/4"
48ETE40T4	29.5	40	14.8	20	770	17.9	454	5.3	2.3	---	---	1.18	30	1-1/16"

\* Nota: Connettore utensile Air-LB - le caratteristiche tecniche sono identiche.

\*\* Nota: modelli con arresto a clip. Le specifiche per i modelli con arresto a sfera (terminazione B) sono le stesse.

## 7.2 Serie 48E memoria utensile:

### Serie 48E Bullonatrice con dispositivo di controllo corrente - Connettore utensile Air-LB \*

Numero modello	Velocità max [giri/min]	Coppia max. [Nm]	Calibrazione di coppia [Nm]	tipo di trasduttore	Calibrazione angolo [PPD]	Static Factor corrente [Nm/A]
<b>Serie 48EA Bullonatrice ad angolo retto **</b>						
48EAE15AL3	2855	15	17.9794	542846-12	29.8662	0.6929
48EAE28AL3	1300	28	42.8072	542846-31	65.6023	1.4458
48EAE41AM3	1090	41	50.9609	542846-31	78.0980	1.7212
48EAE58AM3	770	58	77.2838	542846-48	110.2015	2.4287
48EAE58AM4	770	58	77.2838	542846-48	110.2015	2.4287
48EAE90AH4	515	87	158.3540	542846-100	165.6771	3.6514
48EAE105AH4	340	104	156.6510	542846-100	248.0254	5.4662
48EAE135MH4	265	133	199.7300	542846-100	316.2324	6.9694
48EAE175AX6	190	176	231.2227	542846-40	441.5931	9.2456
48EAE230AX6	145	230	228.7037	542846-40	575.9910	12.0595
<b>Serie 48EA Bullonatrice ad angolo retto con mandrino flottante</b>						
48EAE37S231	1225	37	45.8648	542846-31	70.2893	1.5491
48EAE52S231	860	52	69.5554	542846-48	99.1829	2.1859
48EAE53S341	850	53	65.5212	542846-31	100.4132	2.2130
48EAE75S341	600	75	99.3649	542846-48	141.6898	3.1226
48EAE95S341	460	95	98.2031	542846-48	185.5462	4.0892
48EAE110S341	400	110	203.5980	542846-100	213.0167	4.6946
48EAE135S461	270	135	201.4084	542846-100	318.8948	7.0280
48EAE230S461	150	230	297.2863	542846-40	567.7714	11.8873
<b>Serie 48EA Bullonatrice ad angolo retto con presa a filo</b>						
48EAE37F2	1225	37	45.8648	542846-31	70.2893	1.5491
48EAE52F2	860	52	69.5554	542846-48	99.1829	2.1859
48EAE53F3	850	53	65.5212	542846-31	100.4132	2.2130
48EAE75F3	600	75	99.3649	542846-48	141.6898	3.1226
48EAE110F3	400	110	203.5980	542846-100	213.0167	4.6946
48EAE135F4	270	135	201.4084	542846-100	318.8948	7.0280
48EAE230F4	150	230	297.2863	542846-40	567.7714	11.8873
<b>Serie 48EA Bullonatrice ad angolo retto</b>						
48EAE53H	850	54	65.5212	542846-31	100.4132	2.2130
48EAE75H	600	77	99.3649	542846-48	141.6898	3.1226
48EAE110H	400	115	203.5980	542846-100	213.0167	4.6946
48EAE135H	270	135	201.4084	542846-100	318.8948	7.0280
48EAE230H	150	230	297.2863	542846-40	567.7714	11.8873
<b>Serie 48EC Bullonatrice in linea</b>						
48ECE30C1	860	30	49.1424	542846-48	99.1829	1.5444
48ECE30C3	860	30	49.1424	542846-48	99.1829	1.5444
<b>Serie 48EP Bullonatrice con impugnatura a pistola **</b>						
48EPE12Q	4000	12	13.9592	542846-12	21.3330	0.5379
48EPE12D2	4000	12	13.9592	542846-12	21.3330	0.5379
48EPE25D3	1820	25	33.2354	542846-31	46.8588	1.1225
48EPE36D3	1290	36	37.8018	542846-36	66.1209	1.5840
48EPE48D3	985	48	49.8132	542846-48	86.5869	2.0742
48EPE65D4	750	65	70.3865	542846-12	113.2308	2.7124
48EPE90D4	510	90	111.9428	542846-31	166.1383	3.7809
48EPE125D4	360	125	127.3235	542846-36	234.4323	5.3350
48EPE150D4	240	150	190.6085	542846-36	350.9548	7.9868
48EPE200D6	178	200	282.9741	542846.12	479.1795	10.9048
48EPE500D6	53	500	903.0329	542846-12	1609.6500	34.7997
48EPE1000D8	33	1000	1449.6660	542846-12	2584.0198	55.8650

\* Nota: Connettore utensile Air-LB - le caratteristiche tecniche sono identiche.

\*\* Nota: modelli con arresto a clip. Le specifiche per i modelli con arresto a sfera (terminazione B) sono le stesse.



## 7.2 Serie 48E memoria utensile (continua):

### Serie 48E Bullonatrice con dispositivo di controllo corrente - Connettore utensile Air-LB \*

Numero modello	Velocità max [giri/min]	Coppia max. [Nm]	Calibrazione di coppia [Nm]	tipo di trasduttore	Calibrazione angolo [PPD]	Static Factor corrente [Nm/A]
<b>Serie 48ES Bullonatrice in linea **</b>						
48ESE12Q	4000	12	13.9592	542846-12	21.3330	0.5379
48ESE12D2	4000	12	13.9592	542846-12	21.3330	0.5379
48ESE25D3	1820	25	33.2354	542846-31	46.8588	1.1225
48ESE36D3	1290	36	37.8018	542846-36	66.1209	1.5840
48ESE48D3	985	48	49.8132	542846-48	86.5869	2.0742
48ESE65D4	750	65	70.3865	542846-12	113.2308	2.7124
48ESE90D4	510	90	111.9428	542846-31	166.1383	3.7809
48ESE125D4	360	125	127.3235	542846-36	234.4323	5.3350
48ESE150D4	240	150	190.6085	542846-36	350.9548	7.9868
<b>Serie 48ES Bullonatrice in linea con mandrino flottant</b>						
48ESE12ZA	4000	12	13.9592	542846-12	21.3333	0.5379
48ESE271ZB	1820	27	33.2354	542846-31	46.8595	1.1225
48ESE361ZB	1290	36	37.8018	542846-36	66.1219	1.5840
48ESE602ZB	855	57	103.2743	542846-100	99.4078	2.3813
48ESE702ZB	570	68	102.1637	542846-100	148.8176	3.5649
48ESE802ZB	450	82	153.7513	542846-40	188.3146	4.2855
48ESE1152ZB	320	115	150.7974	542846-40	264.9600	6.0298
48ESE1502ZB	245	150	149.1546	542846-40	345.6000	7.8649
48ESE1653ZB	220	165	376.0907	542846-100	381.0632	8.6720
48ESE2503ZB	145	548	372.0461	542846-100	570.4674	12.9823
<b>Serie 48ET Bullonatrice in linea</b>						
48ETE20T2	1425	20	35.9914	542846-17	59.7333	0.9790
48ETE30T3	1030	30	49.8343	542846-17	82.7077	1.3556
48ETE40T4	770	40	66.4457	542846-17	110.2769	1.8075

\* Nota: Connettore utensile Air-LB - le caratteristiche tecniche sono identiche.

\*\* Nota: modelli con arresto a clip. Le specifiche per i modelli con arresto a sfera (terminazione B) sono le stesse.

## 有关本说明手册

本说明手册的原始语言为英语。本说明手册供操作和维护本设备的所有人员使用。

本说明手册的目的如下：

- 提供安全和有效操作的重要说明。
- 描述本设备的功能和操作。
- 用作技术数据、维护间隔和备件订购的参考指南。
- 提供可选设备的相关信息。

### 文本中的符号：

→ 指示要遵守的说明。

- 指示列表。

<.> 指示零件分解图的参考号。

**粗体** 指示重要特性或说明。

OK 正常（可接受）

NOK 不正常（不可接受）

### 识别图形：

→ 指示定向运动

↓ 指示功能或力

### 版权保护：

Apex Tool Group, LLC保留对本文档或产品进行修改、补充或完善的权利，恕不提前通知。未经Apex Tool Group, LLC明确允许，不得以电子、机械、视觉或其它任何方式或形式对本文档的全部或部分进行复制，也不得翻译成其它自然语言或机器可读语言或复制到数据载体上。

## 1 安全性

### 提示图示

警告注意事项由一个信号词和一个象形图指示。

- 信号词指示即将发生的危险的严重程度和概率。
- 象形图指示危险类型。

**警告**



指示会为人身安全和健康带来潜在危险的情况。如果忽视此警告，可能导致最严重的人身伤害。

**小心**



对人员健康或财产和环境可能有损害的状况。



一般注意事项指示可能包括应用技巧但不包括危险情况的有用信息。

### 产品上的符号

使用本设备之前，确保您理解这些符号的含义。



电：指示会为人身安全和健康带来潜在危险的情况。不遵守安全和操作说明可能导致触电、灼伤或严重伤害。



阅读所有说明。



注意并遵守本设备的所有部件及其包装组件的所有地方性废弃处置指南。



通过CE认证



通过EAC认证

## 拧紧系统一般安全说明



**警告** 接触电源电压和320 V直流电会带来触电风险。

发生故障时，螺母扳手控制器和工具可能导致意外触电。触电可能导致心跳停止、呼吸停止、灼伤以及严重或致命伤害。

→ 只有阅读并完全理解以下安全说明后，才能开始使用紧固系统。

除了上述伤害之外，不遵守这些说明还可能导致螺母扳手控制器损坏以及现有保修索赔损失。

### 1 系统操作者注意事项

本安全说明并非一应俱全，无所不包。在安装过程中，还必须遵守国家及当地的安全和布线标准。相比于本章节中提到的所有信息，这些标准应优先遵守。

本安全说明必须可供操作者随时取阅，并且必须可供参与使用、维修该装备的人员参阅。

### 2 操作者培训

只有具备资格并且经过培训的人员才能操作、调节或测试本螺母扳手控制器。相关人员必须接受具备资格的艾沛克斯职员<sup>1)</sup>的指导。

本螺母扳手控制器已由艾沛克斯进行预设。满足您的特定螺钉连接需求的设置只能由具备资格的人员<sup>1)</sup>使用本螺母扳手控制器来完成。有关更多信息，请参见程序设计手册。

### 3 符合规定的的使用

艾沛克斯拧紧系统仅设计用于紧固过程中的工业用途。

→ 请仅在以下条件下使用拧紧系统：

- 仅在室内使用
- 仅在工业电磁兼容A级限值下使用

### 4 个人防护装备

被机器卷入和卡住会带来伤害风险：

- 执行与旋转部件有关的工作时，禁止佩戴手套。
- 穿着贴身的衣服。
- 必要时佩戴发网。

弹出的部件会带来伤害风险：

- 戴上护目镜。

### 5 工作场所

- 使您的工作场所始终保持干净整洁。
- 确保工作区域内有足够的空间。

→ 操作螺母扳手时，请保持警觉，留心自己正在做的事并利用常识进行判断。在疲劳或有服药、饮酒、医疗影响的情况下，请不要使用工具。操作螺母扳手时片刻的疏忽都可能导致严重的人身伤害。

### 6 工作

- 如果接地故障保护器断开系统的连接，则先排除高故障电流的原因，然后再继续操作。
- 切勿从电源插座中拔出插头。
- 使电缆远离高温、油、锐利边缘或运动部件。
- 立即更换损坏的电缆。

### 7 清洁

- 请仅从外面用湿布清洁电动工具和螺母扳手控制器。
- 不要使用高压清洗机。

### 8 废弃处置

拧紧系统的部件和辅助材料会对健康和环境构成风险。

- 分开包装组件，分离不同的材料，然后再进行废弃处置。
- 将工具和有关故障的螺母扳手控制器送回到您的公司收集设施或销售和服务中心。
- 请遵守当地适用的规定。



请遵守普遍有效的废弃处置指南，例如在德国为电子电气设备法 (ElektroG) 和电池法 (BattG)：

- 废旧充电电池必须进行废弃处置。将有故障的电池送回到您的公司收集设施或销售和服务中心。

1. 具备资格的人员是凭借自己接受的专业培训、知识和经验及其对待执行工作有关的相应条件的理解，能够识别出可能的危险并制定适当的安全措施的人员。具备资格的人员必须遵守规则

### 控制器一般安全说明

- 除非获得Apex Tool Group, LLC的书面批准，否则，不要对螺母扳手控制器、任何防护装置或附件进行改装。
- 不要试图拆开螺母扳手控制器或控制器的部件。既不要执行故障诊断，也不要对装置执行其它工作。任何干扰都可能造成错误，从而因触电而造成严重伤害。

使用拆开的控制器可能导致：

- 排放增加：其它设备可能受到影响。
  - 免疫力降低：螺母扳手控制器可能产生错误的结果。
  - 拆开螺母扳手控制器将导致现有保修失效。
- 将需要维修的整个螺母扳手控制器送到您的销售和服务中心。

#### 1 符合规定的使用

本产品是艾沛克斯拧紧系统的组成部分，仅设计用于紧固过程中的工业用途。

→ 请仅在以下条件下使用螺母扳手控制器：

- 搭配艾沛克斯工具使用。
    - 有线工具
    - 无线LiveWire EC工具
    - 内置螺母扳手
  - 搭配艾沛克斯认可的附件和电缆使用。
  - 使用允许的电源电压。
  - 仅以螺母扳手的速度。
  - 使用认可的最大电缆长度。
  - 仅在室内使用。
  - 仅在工业电磁兼容A级限值下使用
- 不要在以下条件下使用螺母扳手控制器：
- 在危险区域内。
  - 在潮湿的房间内/户外。

#### 2 环境条件

功能	温度	相对湿度	工作高度
运输/存放	-13至+158 °F (-25至+70 °C)	0至90% 不凝结	海拔高度可达98 00英尺 (3000 m)
工作	+32至+113 °F (0至+45 °C)		

→ 使螺母扳手控制器远离高温、火、爆炸风险和湿气。

#### 3 需要的电源连接：

→ 仅通过接地网络（TN网络）操作。不允许搭配IT网络操作。

螺母扳手 控制器	输入电压， 单相	频率	输入电流 最大16 A
mPro400GC-P	115 VAC ( 104至126 VAC ) 230 VAC ( 207至254 VAC )	50-60 Hz	2 A 1 A
mPro400GC-P230	230 VAC ( 207至254 VAC )		1 A
mPro400GC-S	115 VAC ( 104至126 VAC ) 230 VAC ( 207至254 VAC )		2 A 1 A
mPro400GC-S230	230 VAC ( 207至254 VAC )		1 A
mPro400GC-M	115至230 VAC ( 104至254 VAC )		1 A - 0.5 A
mPro400GC-E	115 VAC ( 104至126 VAC ) 230 VAC ( 207至254 VAC )		2 A 1 A
mPro400GC-I	115 VAC ( 104至126 VAC )		2 A
	230 VAC ( 207至254 VAC )		1 A

#### 4 安装

压伤危险。螺母扳手控制器可能掉落并压伤您的双脚。

- 使用适当的提升设备。
- 穿上安全鞋。
- 确保螺母扳手控制器充分固定：4xM6，固定以防止松开（参见硬件描述P2174HW）。
- 安全地布置连接的所有电缆和线路，确保其不会被损坏，也不会将任何人绊倒。
- 电缆总长度不要超过电线长度 65.6英尺（20 m）。如果超过该长度，则需要使用艾沛克斯隔离变压器（订购号544185PT）。

如果发生故障，可能出现高压漏电并导致如前所述的伤害。

- 使用封闭式电源电缆。更换时，使用符合标准的网络管理。
- 对于115 V交流电：使用横截面更大的电缆。
- 在机器/工件与工具之间建立等电位联结。
- 对螺母扳手控制器通电之前，确保已正确建立所有连接（参见硬件描述P2174W）。

#### 5 首次操作之前

- 首次操作之前，按照当地适用的规定（在德国为DGUV Vorschrift 3）执行PE测量。
- 遵守螺母扳手控制器和工具上的安全注意事项。
- 检查螺母扳手控制器、工具和电缆是否有任何明显的故障。
- 转换、清洁和停用期间，先关闭并断开螺母扳手控制器的连接，然后再连接电源和工具电缆。

#### 6 工作

- 如果出现异常的声音、振动或气味，请立即关闭螺母扳手控制器。断开电源，请具备资格的人员检查拧紧系统并在必要时维修。
- 立即更换损坏的电缆。

## 7 售后服务

- 制定一套安全维护计划并确保其得以维持。该计划必须确保遵从螺母扳手控制器所有寿命阶段的调节、检查和维护。
- 按照当地适用的规定（在德国为DGUV Vorshrift 3）要求的时间间隔测试接地故障保护器。

mPro400GC-P、mPro400GC-S

- 按下位于螺母扳手控制器底部面板上的测试按钮。

mPro400GC-P230、mPro400GC-S230

- 通过GFCI测试插座检查接地漏电电路（参见维护手册P2249WA），或
- 按下位于螺母扳手控制器底部面板上的测试按钮。

## 电动工具一般安全说明

### 警告




请阅读所有安全注意事项和说明。  
任何不遵守安全注意事项和说明的行为都可能导致触电、火灾和/或严重伤害。

保存好所有安全注意事项和说明，以备将来参考。

本安全说明中使用的“电动工具”一词既指电源供电工具（带电源电缆），又指电池供电电动工具（不带电源电缆）。

### 1 工作安全

- a) 使您的工作区域保持清洁和充分照亮。工作区域不整洁和/或未被照亮可能引发事故。
- b)  切勿在爆炸性环境（即含有易燃液体、气体或粉尘的环境）中使用您的电动工具。电动工具会产生火花，火花可能点燃易燃粉尘和/或易燃蒸气。
- c) 使用电动工具时，使儿童和他人保持距离。一旦分心，您会失去对装置的控制。

### 2 电气安全

- a) 您的电动工具上的电源连接器必须与插座匹配。不要以任何方式对连接器进行改装。切勿将适配器连接器与接地的电动工具一起使用。未经改装的连接器和适当的插座可降低触电风险。
- b) 避免与管道、散热器、烹调器和冰箱等接地表面有身体接触。如果您自己的身体接地，则存在更高的触电风险。
- c) 使电动工具远离雨水和湿气。电动工具进水会增加触电风险。

- d) 不要错误地使用电缆，即用于搬运和悬挂电动工具或将连接器从其插座中拔出。使电缆远离高温、油、锐利边缘或运动部件。电缆损坏或缠结会增加触电风险。
- e) 如果在户外使用电动工具工作，请务必使用适合户外使用的加长电缆。使用适合户外使用的加长电缆可降低触电风险。
- f) 如果无法避免地要在潮湿环境中操作电动工具，请使用剩余电流保护器。使用剩余电流保护器可降低触电风险。


### 3 人身安全

- a) 使用电动工具工作时，应始终小心谨慎，注意自己正在做的事，并合理地操作。切勿在受到毒品、酒精或药物影响的情况下使用电动工具。使用电动工具时片刻的不专注也可能导致严重伤害。
- b)  穿戴您的个人防护装备（PPE），始终戴上护目镜。根据电动工具的类型和用途穿戴防尘面罩、防滑安全鞋、安全帽或护耳器等个人防护装备有助于降低伤害风险。
- c) 避免意外启动。将电动工具连接至电源或电池、拿起或搬运工具之前，确保电动工具已关闭。如果将手指放在开关上，以及/或如果将装置接通和/或连接至电源，可能引发事故。
- d) 接通电动工具之前，先取下设置工具或扳手。将工具或扳手落在设备的旋转部件中可能导致伤害。
- e) 避免不正常的身体姿势。确保始终采取稳固的站姿并保持身体平衡。这意味着您在意外情况下能够更好地控制您的电动工具。
- f)  穿着适当的衣服。切勿穿着宽松的衣服或佩戴首饰。使头发、衣服和手套充分远离运动部件。宽松的衣服、首饰或长发可能被运动部件夹住。
- g) 如果能够安装除尘和集尘设备，请确保连接并正确使用这些设备。使用除尘器可降低与粉尘有关的风险。

### 4 电动工具的使用和处理

- a) 切勿使装置过载。使用适合您的工作的电动工具。使用正确的电动工具使您能够在规定的性能范围内更高效、更安全地工作。
- b) 切勿使用开关有故障的电动工具。不能再接通和关闭的电动工具会带来危险，必须进行维修。



- c)  改变工具设定、更换附件或再次重新放下工具之前，先从螺母扳手控制器中拔出连接器，并/或从插座中拔出工具电缆，并/或取出或断开电池的连接。这些预防措施可防止电动工具意外重新启动。
- d) 不使用时，将电动工具保存在儿童接触不到的地方。不要使不熟悉装置操作或未阅读使用说明的任何人使用装置。由缺乏经验的人使用电动工具会带来危险。
- e) 对电动工具要抱持小心的态度。检查以确保运动部件正常工作且未卡住。还要检查以确保没有部件破裂或损坏至影响电动工具功能的程度。使用装置之前，安排对损坏的部件进行维修。许多事故的原因都是电动工具维护不当。
- f) 使切割刀具保持锋利和清洁。小心维护的具有锋利切削刃的切割刀具更少卡住，也更易引导和操作。
- g) 请务必按照本说明使用电动工具、附件和冲击工具。还要注意工作场所的环境条件和所执行工作的性质。如果将电动工具用于预期用途之外的任何应用，则可能出现危险情况。

5 保养

- a) 请务必安排具备适当资格<sup>1)</sup>的专业技术人员对您的电动工具进行维修，请务必使用原装备件。这将确保您的电动工具保持较高的安全标准。

手持式电动螺母扳手特定安全说明

1 电气安全

- a) 确保PE连接具有低电流源。
- b) 电源变压器适用的电缆长度超过66英尺（20 m），不超过164英尺（50 m）。

2 人身安全

- a) 18ET/EC、48ET/EC系列：意外按下启动键时，夹头（套头夹持器）会在输出驱动头中旋转（例如在放下工具时）。意外按下启动键时，夹头（套头夹持器）会在输出驱动头中旋转（例如在放下工具时）。这可能压伤甚至割断手指。切勿将手指伸入夹头中。要更换套头，先断开工具电缆。
- b) 禁止佩戴手套。
- c) 将工具紧握在手中。为快速变化的反作用扭矩做好准备。

1. 凭借自己接受的职业培训、知识、经验以及对这类工作相关情况的了解，具备适当资格的人员能够识别出潜在危险并采取适当的安全预防措施。具备资格的人员必须遵守规定，即遵守规则。

- d) 在狭窄空间内以及在扭矩超过以下值的情况下使用工具时：
  - 3英尺磅力（4 Nm）（直柄工具）
  - 7英尺磅力（10 Nm）（枪柄工具）
  - 44英尺磅力（60 Nm）（弯头工具）
 请务必使用反作用杆。使用时，切勿将您的手放到反作用杆上。
- e) 检查并确认旋转挂环正确固定至平衡器。

带集成式条形码扫描仪的工具



二类激光产品

二类激光扫描仪采用激光二极管，这种二极管产生的低功耗可见光束与日光等非常明亮的光源相差无几。这样做可能使眼睛受到伤害。

- a) 不要直视激光束。
- b) 立即维修光学部件的故障。
- c) 禁止对条形码扫描仪进行改装。
- d) 立即停用有故障的工具。

3 手持式电动螺母扳手的使用和处理

- a) 请仅对机器控制工具使用螺丝套头。
- b) 确保螺丝套头牢固插入。
- c) 不要将螺丝套头倾斜固定至螺钉头。
- d) 切勿使用高压清洁剂/喷洗器清洁工具。
- e) 不要将工具浸入清洁剂中。

4 符合规定的的使用

本产品是艾沛克斯拧紧系统的组成部分，仅设计用于紧固和松开螺纹紧固件。

- 请仅与艾沛克斯工具集团提供的mPro400GC系列控制器、附件和工具电缆搭配使用。
- 不要用作锤子或用于再弯曲。
- 不要将其拆开或对其进行结构性改装。
- 不要在有爆炸风险的区域内使用。

5 环境条件

功能	温度	相对湿度	工作高度
运输/存放	-13至+158 °F (-25至+70 °C)	0至90% 不凝结	海拔高度可达98 00英尺 (3000 m)
工作	+32至+113 °F (0至+45 °C)		



## 2 供货范围、运输/存放:

### 供货范围

检查产品是否有装运损坏，确保所有物品均已收到:

- 正确的产品
- 说明手册
- 符合性声明

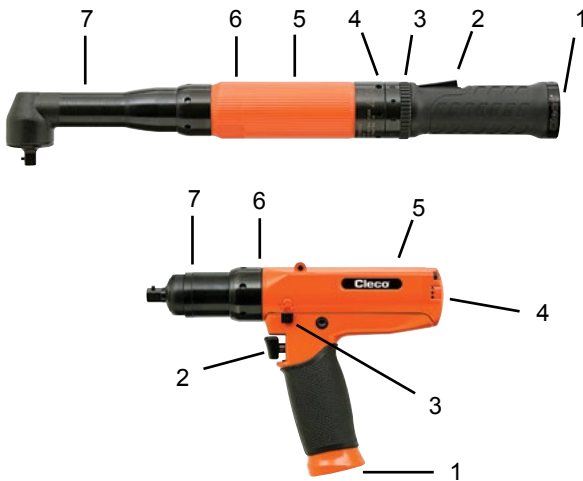
### 运输/存放

装在原包装内运输或存放。存放期间，断开电源。包装可回收利用。参见安全说明中包含的环境条件。

## 3 产品描述:

### 有线螺母扳手

- 带分解器的低惯性无刷马达。关闭通过扭矩/角度进行控制。
- 集成式前置放大器，包括工作内存。工具在连接至控制器时进行自识别。
- LED显示提供当前测量结果的相关信息。
- 顺时针/逆时针旋转
- 紧固参数通过控制器设置。
- 控制器与工具之间通过工具电缆传输数据和供电。



有线螺母扳手	
参考号	说明
1	电源连接
2	启动按钮
3	反转机构
4	LED灯环
5	马达总成
6	传动装置
7	配件

### LED灯环显示

LED	说明
以绿色持续亮起	正常
以红色持续亮起	不正常
黄色	启用

## 4 首次操作之前

### 电源

螺母扳手通过与工具控制器联网获得供电。

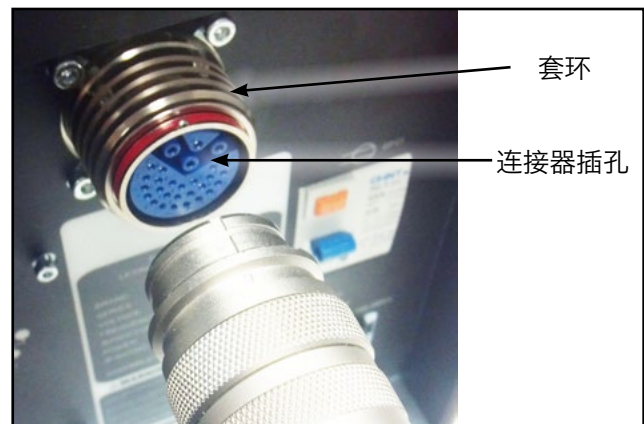
### 工具的电缆连接

将电缆的工具连接端插入螺母扳手柄中。将电缆连接器上的键与工具柄上的开关促动器对齐。这将使键与柄内部的配合槽接合。将电缆套环穿入工具柄中并牢固拧紧。



### 控制器的电缆连接

将电缆的另一端连接至控制器上的工具连接器。确保朝向控制器推入控制器工具连接器上的套环。将工具电缆和控制器连接器上的连接器插孔对齐。将电缆连接器推入控制器连接器中，朝向电缆拉动套环以将电缆连接器锁入位。



mPro400GC-I全局控制器

工具电缆

48EAE系列	电缆长度		中文说明
	英尺	m	
<b>非欧盟电缆 - Air-LB连接器</b>			
301866-XXX *	3-49	1-15	工具电缆 (1)
301904-XXX *	3-49	1-15	旋转电缆: 直柄 (1)
301903-XXX *	3-49	1-15	旋转电缆: 直角 (1)
301877-XXX	3-66	1-20	加长电缆
<b>欧盟电缆 - Air-LB连接器</b>			
961259-XXX **	3-66	1-20	工具电缆 (1)
961250-XXX **	3-66	1-20	工具电缆 (2)
961251-XXX **	3-66	1-20	旋转电缆: 直柄 (2)
961252-XXX **	3-66	1-20	旋转电缆: 直角 (2)
961249-XXX **	3-66	1-20	加长电缆

\* 注意: 3英尺和6英尺 (1 m和2 m) 电缆与  
301877加长电缆搭配使用。  
\*\* 注意: 20 m长度不需要变压器。  
(1) 标准耐久性  
(2) 高耐久性

48EA系列	电缆长度		中文说明
	英尺	m	
<b>非欧盟电缆 - Matrix连接器</b>			
542778-XXX *	3-49	1-15	工具电缆 (1)
544056-XXX *	3-49	1-15	旋转电缆: 直柄 (1)
544055-XXX *	3-49	1-15	旋转电缆: 直角 (1)
542779-XXX	3-66	1-20	加长电缆
<b>欧盟电缆 - Matrix连接器</b>			
-----	-----	-----	-----
-----	-----	-----	-----
-----	-----	-----	-----
-----	-----	-----	-----
-----	-----	-----	-----

\* 注意: 3英尺和6英尺 (1 m和2 m) 电缆与  
542779加长电缆搭配使用。  
(1) 标准耐久性

m-Pro-400GC-I  
系列

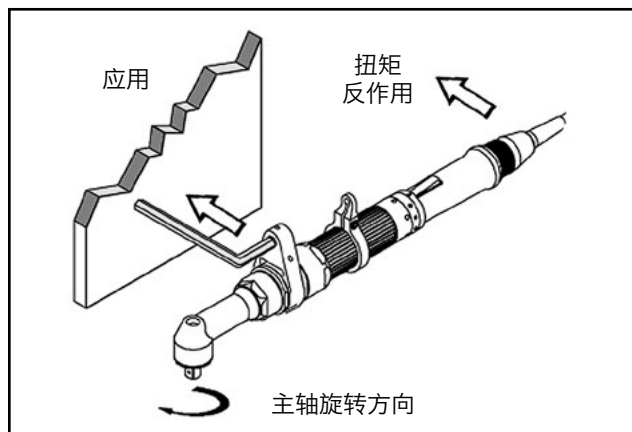


5 首次操作:  
投入使用



压伤双手的危险。

→ 对于有限空间内的应用或高扭矩 (直柄工具 (4 Nm)、枪柄工具 (10 Nm)、直角工具 (60 Nm)) 应用, 请务必使用扭矩反作用杆。



执行紧固件测量

48E系列螺母扳手已由艾沛克斯工具集团进行配置。特定紧固件接头的设置只能由具备资格的人员<sup>1</sup>使用螺母扳手控制器完成。首次操作可能因螺母扳手控制器类型和编程的不同而不同。参见螺母扳手控制器编程手册。

- 确保将工具电缆牢固地固定至工具和控制器。
- 确保控制器通电且正确编程 (参见控制器手册)。
- 确保反转机构处于正确的位置。
- 将套筒或套头放到应用位置, 按压开关促动器以开始测量。
- 当螺母扳手关闭时, 释放开关促动器。
- 从应用位置移开螺母扳手。

1. 具备资格的人员是凭借自己接受的专业培训、知识和经验及其对与待执行工作有关的相应条件的理解, 能够识别出可能的危险并制定适当的安全措施的人员。具备资格的人员必须遵守规则

## 售后服务

执行全面的安全维护计划，以定期检查工具操作的所有阶段和空气供应设备。

每天：

- 目检所有电缆和连接
- 目检所有外部工具部件
- 检查工具是否出现过度的振动或异常噪音

约100,000次测量：

- 检查工具电缆是否损坏或磨损
- 检查工具电缆连接是否牢固
- 检查输出轴是否损坏或磨损
- 验证最大空载转速

约500,000次测量：

- 拆卸工具并检查所有部件是否损坏或磨损，必要时进行更换
- 清洁并润滑弯头、齿轮和电机轴承
- 如果配备；重新校准传感器

约1,000,000次测量：

- 拆卸工具并检查所有部件是否损坏或磨损，必要时进行更换
- 清洁并润滑弯头、齿轮和电机轴承
- 如果配备；重新校准传感器

## 润滑剂

装配工具的润滑频率由其应用决定。在每次维护间隔期间，应为所有传动装置提供足够的润滑脂。

零件号	包装	润滑脂
540395	2 oz. (0.06 kg)	Magnalube-G
513156	16 oz. (0.45 kg)	Magnalube-G
541444	2 oz. (0.06 kg)	Rheolube 363AX-1
541445	16 oz. (0.45 kg)	Rheolube 363AX-1

## 6 故障查询

故障	可能的原因	排除方法
工具不启动	启动开关有故障	→ 更换启动开关
	未对转速 (RPM) 编程	→ 对所有工作阶段的转速编程
	控制器等待工具启用	→ 激活“工具激活”输入, 或在不需要时停用“工具激活”
	电缆有故障	→ 维修或更换电缆
	电缆或工具的针脚弯曲	→ 矫直触针或更换有故障的连接器
	更换工具后未识别到自识别数据	→ 再次接受“数据”(工具安装)
连接工具电缆后无声音信号	软件不正确	→ 检查控制器软件/测量板软件
	电缆有故障	→ 更换电缆
	工具有故障	→ 更换工具
激活逆时针旋转方向时, 工具不启动	逆时针旋转时, 转速参数设为0 rpm。	→ 对逆时针旋转转速编程
工具沿拧紧方向启动, 但不沿逆时针旋转方向启动	未对逆时针旋转转速编程	→ 对逆时针旋转转速编程
	反转开关有故障	→ 更换启动/反转开关总成
	电缆有故障	→ 维修或更换电缆
	电缆或工具的针脚弯曲	→ 矫直触针或更换有故障的连接器
工具在达到所需的扭矩时关闭但没有角度指示	临界扭矩过高	→ 校正紧固序列或降低临界扭矩值
工具过早关闭	操作者在控制器停止工具之前释放启动开关	→ 确保操作者在整个序列期间按住启动开关。
	紧固时间超过标准时间10秒。	→ 增加紧固时间
	工具超过角度设置点	→ 检查紧固序列以确保关闭扭矩值和/或角度设置点正确。必要时调节。 → 检查紧固连接的变化是否明显。
工具不改变转速	所有阶段的转速都相同	→ 确保各阶段的转速和开关角正确。
操作反转开关时, 工具上的LED开始闪烁	这是在默认参数中定义的一项正常功能。	→ 激活或禁用“反转中灯闪”复选框
运行界面出现警告: “偏移传感器1/2不正常”	传感器未恢复至零扭矩值。	→ 传感器过载且必须更换
	工具中的线束或电缆有故障	→ 用不同的电缆检查工具。可在“诊断”菜单中检查偏移值和标定值。
运行界面出现警告: “工具没连接!”	尚未在“工具设定”中接受工具	→ 检查“工具列表”菜单以确保工具已被接受。如果未被接受, 则状态将显示“需要手动接受”。必须先标记正确的行, 然后才能在“工具设定”菜单中接受设定。
	电缆有故障将阻止工具被螺母扳手控制器识别到。	→ 维修或更换电缆
控制器和外部传感器显示不同的扭矩	必须在“工具设定”中调节扭矩标定因数(扭矩标定)。	→ 利用下面的公式调节扭矩标定(工具设定): 新标定值 = (外部值/工具值) x 所用标定值
	已为工具增加客户角度配件。必须更新工具内存。	→ 对工具内存重新编程
工具电缆不适合工具柄	电缆错误。与螺母扳手控制器mPro40 0GC搭配使用的工具采用Air-LB连接器。该连接器的尺寸与之前所用的Matrix连接器不同。	→ 使用适合所用工具的电缆。

## 7.1 48E系列性能数据:

48E系列电流控制螺母扳手 - Air-LB工具连接器 \*

型号编号	工具范围				最高转速 (rpm)	长度		重量		头部高度		侧面到中心		输出驱动尺寸
	最大扭矩		最小扭矩			英寸	mm	磅	kg	英寸	mm	英寸	mm	
	磅力英尺	Nm	磅力英尺	Nm										
<b>48EA系列直角螺母扳手 **</b>														
48EAE15AL3	11.1	15	2.2	3	2855	15.7	398	3.8	1.7	1.6	41	0.59	15	3/8"
48EAE28AL3	20.7	28	4.4	6	1300	16.2	410	4.1	1.9	1.6	41	0.59	15	3/8"
48EAE41AM3	30.2	41	6.6	9	1090	17.3	440	4.3	2.0	1.9	48	0.75	19	3/8"
48EAE58AM3	42.8	58	8.9	12	770	17.3	440	4.3	2.0	1.9	48	0.75	19	3/8"
48EAE58AM4	42.8	58	8.9	12	770	17.3	440	4.3	2.0	1.9	48	0.75	19	1/2"
48EAE90AH4	64.2	87	13.3	18	515	18.5	470	6.6	3.0	2.3	58	0.81	21	1/2"
48EAE105AH4	76.7	104	15.5	21	340	18.5	470	6.6	3.0	2.3	58	0.81	21	1/2"
48EAE135MH4	98.1	133	19.9	27	265	19.1	485	7.3	3.3	2.4	61	0.94	24	1/2"
48EAE175AX6	129.8	176	26.6	36	190	21.6	549	10.2	4.6	2.7	69	1.06	27	3/4"
48EAE230AX6	169.6	230	33.9	46	145	21.6	549	10.2	4.6	2.7	69	1.06	27	3/4"
<b>48EA系列直角浮动主轴螺母扳手</b>														
48EAE37S231	27.2	37	5.9	8	1225	18.7	474	5.4	2.4	2.7	69	0.67	17	3/8"
48EAE52S231	38.3	52	8.1	11	860	18.7	474	5.4	2.4	2.7	69	0.67	17	3/8"
48EAE53S341	39.1	53	8.1	11	850	20.0	509	6.0	2.7	3.3	83	0.87	22	1/2"
48EAE75S341	55.3	75	11.0	15	600	20.0	509	6.0	2.7	3.3	83	0.87	22	1/2"
48EAE95S341	70.0	95	14.7	20	460	20.5	521	7.4	3.4	3.3	83	0.87	22	1/2"
48EAE110S341	81.1	110	16.9	23	400	20.5	521	7.4	3.4	3.3	83	0.87	22	1/2"
48EAE135S461	99.5	135	20.6	28	270	20.6	522	8.9	4.0	3.7	94	1.06	27	3/4"
48EAE230S461	169.6	230	34.6	47	150	22.2	563	10.6	4.8	3.7	94	1.06	27	3/4"
<b>48EA系列直角内六角套筒螺母扳手</b>														
48EAE37F2	27.3	37	5.9	8	1225	18.7	474	5.4	2.4	1.7	43	0.67	17	----
48EAE52F2	38.3	52	8.1	11	860	18.7	474	5.4	2.4	1.7	43	0.67	17	----
48EAE53F3	39.0	53	8.1	11	850	20.0	509	6.0	2.7	2.3	59	0.87	22	----
48EAE75F3	55.3	75	11.1	15	600	20.0	509	6.0	2.7	2.3	59	0.87	22	----
48EAE110F3	81.1	110	17.0	23	400	20.5	521	7.4	3.4	2.3	59	0.87	22	----
48EAE135F4	99.5	135	19.9	27	270	20.6	522	8.9	4.0	2.4	61	1.06	27	----
48EAE230F4	172.6	230	34.7	47	150	22.2	563	10.6	4.8	2.4	61	1.06	27	----
<b>48EA系列直角螺母扳手</b>														
48EAE53H	39.8	54	8.1	11	850	20.2	512	7.9	3.6	2.4	61	1.06	27	----
48EAE75H	56.8	77	11.1	15	600	20.2	512	7.9	3.6	2.4	61	1.06	27	----
48EAE110H	85.6	115	17.0	23	400	20.2	512	8.9	4.0	2.4	61	1.06	27	----
48EAE135H	101.8	135	20.7	28	270	20.6	522	8.9	4.0	2.4	61	1.06	27	----
48EAE230H	169.6	230	34.7	47	150	22.2	563	10.6	4.8	2.4	61	1.06	27	----
<b>48EC系列直柄螺母扳手</b>														
48ECE30C1	22.1	30	7.7	10	860	20.5	521	5.5	2.3	1.7	43	0.63	16	----
48ECE30C3	22.1	30	7.7	10	860	20.5	521	5.5	2.3	1.6	40	0.63	16	----
<b>48EP系列枪柄螺母扳手 **</b>														
48EPE12Q	8.9	12	2.2	3	4000	8.3	211	2.7	1.2	----	----	0.84	21	1/4" Hex
48EPE12D2	8.9	12	2.2	3	4000	7.7	196	2.7	1.2	----	----	0.84	21	1/4"
48EPE25D3	18.4	25	4.4	6	1820	8.4	213	2.9	1.3	----	----	0.84	21	3/8"
48EPE36D3	26.6	36	5.9	8	1290	8.4	213	2.9	1.3	----	----	0.84	21	3/8"
48EPE48D3	35.4	48	7.4	10	985	8.6	218	3.0	1.4	----	----	0.84	21	3/8"
48EPE65D4	47.9	65	9.6	13	750	10.8	274	5.0	2.3	----	----	0.91	23	1/2"
48EPE90D4	66.4	90	14.0	19	510	11.3	287	5.3	2.4	----	----	0.91	23	1/2"
48EPE125D4	92.2	125	19.2	26	360	11.3	287	5.3	2.4	----	----	0.91	23	1/2"
48EPE150D4	110.6	150	22.9	31	240	11.3	287	5.3	2.4	----	----	0.91	23	1/2"
48EPE200D6	144.0	195	92.0	125	180	16.2	410	9.5	4.3	----	----	1.13	29	3/4"
48EPE500D6	368.0	500	225.0	300	53	16.2	410	9.8	4.5	----	----	1.13	29	3/4"
48EPE1000D8	740.0	1000	370.0	500	33	19.2	486	16.2	7.3	----	----	1.50	38	1"

\* 注意: Matrix工具连接器 - 规格相同

\*\* 注意: 图中所示为销固定器型号。球固定器型号(终端B)的规格与此相同。



## 7.1 48E系列性能数据 (持续)

### 48E系列电流控制螺母扳手 - Air-LB工具连接器 \*

型号编号	工具范围				最高转速 (rpm)	长度		重量		头部高度		侧面到中心		输出驱动尺寸
	最大扭矩		最小扭矩			英寸	mm	磅	kg	英寸	mm	英寸	mm	
	磅力英尺	Nm	磅力英尺	Nm										
<b>48ES系列直柄螺母扳手 **</b>														
48ESE12Q	8.9	12	2.2	3	4000	13.5	343	3.0	1.4	---	---	0.91	23	1/4" Hex
48ESE12D2	8.9	12	2.2	3	4000	13.0	330	3.0	1.4	---	---	0.91	23	1/4"
48ESE25D3	18.4	25	4.4	6	1820	13.6	345	3.2	1.5	---	---	0.91	23	3/8"
48ESE36D3	26.6	36	5.9	8	1290	13.6	345	3.2	1.5	---	---	0.91	23	3/8"
48ESE48D3	35.4	48	7.4	10	985	13.8	351	3.3	1.5	---	---	0.91	23	3/8"
48ESE65D4	47.9	65	9.6	13	750	16.6	420	5.3	2.4	---	---	1.13	29	1/2"
48ESE90D4	66.4	90	14.0	19	510	17.1	435	5.6	2.5	---	---	1.13	29	1/2"
48ESE125D4	92.2	125	19.2	26	360	17.1	435	5.6	2.5	---	---	1.13	29	1/2"
48ESE150D4	110.6	150	22.9	31	240	17.1	435	5.6	2.5	---	---	1.13	29	1/2"
<b>48ES系列直柄螺母扳手</b>														
48ESE12ZA	8.9	12	2.2	3	4000	16.7	425	3.4	1.5	---	---	0.91	23	1/4"
48ESE271ZB	19.9	27	5.9	8	1820	22.0	559	5.8	2.6	---	---	0.92	23	3/8"
48ESE361ZB	26.6	36	5.2	7	1290	22.0	559	5.8	2.6	---	---	0.92	23	3/8"
48ESE602ZB	42.0	57	8.1	11	855	24.4	620	8.4	3.8	---	---	1.10	28	1/2"
48ESE702ZB	50.2	68	10.3	14	570	24.4	620	8.4	3.8	---	---	1.10	28	1/2"
48ESE802ZB	60.5	82	12.5	17	450	26.7	678	9.6	4.4	---	---	1.10	28	1/2"
48ESE1152ZB	84.8	115	18.4	25	320	26.7	678	9.6	4.4	---	---	1.10	28	1/2"
48ESE1502ZB	110.6	150	22.9	31	245	26.7	678	9.6	4.4	---	---	1.10	28	1/2"
48ESE1653ZB	121.7	165	24.3	33	220	28.6	726	14.6	6.6	---	---	1.57	40	3/4"
48ESE2503ZB	182.9	548	36.8	50	145	28.6	726	14.6	6.6	---	---	1.57	40	3/4"
<b>48ET系列直柄螺母扳手</b>														
48ETE20T2	14.8	20	7.4	10	1425	16.9	430	4.4	2.0	---	---	0.78	20	1/2"
48ETE30T3	22.1	30	11.1	15	1030	16.6	422	4.5	2.0	---	---	0.83	21	3/4"
48ETE40T4	29.5	40	14.8	20	770	17.9	454	5.3	2.3	---	---	1.18	30	1-1/16"

\* 注意: Matrix工具连接器 - 规格相同

\*\* 注意: 图中所示为销固定器型号。球固定器型号(终端B)的规格与此相同。

## 7.2 48E系列工具内存:

### 48E系列电流控制螺母扳手 - Air-LB工具连接器

型号编号	最高转速 [RPM]	最大扭矩 [Nm]	扭矩校准 [Nm]	传感器类型	角度校准 [PPD]	静态电流因数 [Nm/A]
<b>48EA系列直角螺母扳手**</b>						
48EAE15AL3	2855	15	17.9794	542846-12	29.8662	0.6929
48EAE28AL3	1300	28	42.8072	542846-31	65.6023	1.4458
48EAE41AM3	1090	41	50.9609	542846-31	78.0980	1.7212
48EAE58AM3	770	58	77.2838	542846-48	110.2015	2.4287
48EAE58AM4	770	58	77.2838	542846-48	110.2015	2.4287
48EAE90AH4	515	87	158.3540	542846-100	165.6771	3.6514
48EAE105AH4	340	104	156.6510	542846-100	248.0254	5.4662
48EAE135MH4	265	133	199.7300	542846-100	316.2324	6.9694
48EAE175AX6	190	176	231.2227	542846-40	441.5931	9.2456
48EAE230AX6	145	230	228.7037	542846-40	575.9910	12.0595
<b>48EA系列直角浮动主轴螺母扳手</b>						
48EAE37S231	1225	37	45.8648	542846-31	70.2893	1.5491
48EAE52S231	860	52	69.5554	542846-48	99.1829	2.1859
48EAE53S341	850	53	65.5212	542846-31	100.4132	2.2130
48EAE75S341	600	75	99.3649	542846-48	141.6898	3.1226
48EAE95S341	460	95	98.2031	542846-48	185.5462	4.0892
48EAE110S341	400	110	203.5980	542846-100	213.0167	4.6946
48EAE135S461	270	135	201.4084	542846-100	318.8948	7.0280
48EAE230S461	150	230	297.2863	542846-40	567.7714	11.8873
<b>48EA系列直角内六角套筒螺母扳手</b>						
48EAE37F2	1225	37	45.8648	542846-31	70.2893	1.5491
48EAE52F2	860	52	69.5554	542846-48	99.1829	2.1859
48EAE53F3	850	53	65.5212	542846-31	100.4132	2.2130
48EAE75F3	600	75	99.3649	542846-48	141.6898	3.1226
48EAE110F3	400	110	203.5980	542846-100	213.0167	4.6946
48EAE135F4	270	135	201.4084	542846-100	318.8948	7.0280
48EAE230F4	150	230	297.2863	542846-40	567.7714	11.8873
<b>48EA系列直角螺母扳手</b>						
48EAE53H	850	54	65.5212	542846-31	100.4132	2.2130
48EAE75H	600	77	99.3649	542846-48	141.6898	3.1226
48EAE110H	400	115	203.5980	542846-100	213.0167	4.6946
48EAE135H	270	135	201.4084	542846-100	318.8948	7.0280
48EAE230H	150	230	297.2863	542846-40	567.7714	11.8873
<b>48EC系列直柄螺母扳手</b>						
48ECE30C1	860	30	49.1424	542846-48	99.1829	1.5444
48ECE30C3	860	30	49.1424	542846-48	99.1829	1.5444
<b>48EP系列枪柄螺母扳手**</b>						
48EPE12Q	4000	12	13.9592	542846-12	21.3330	0.5379
48EPE12D2	4000	12	13.9592	542846-12	21.3330	0.5379
48EPE25D3	1820	25	33.2354	542846-31	46.8588	1.1225
48EPE36D3	1290	36	37.8018	542846-36	66.1209	1.5840
48EPE48D3	985	48	49.8132	542846-48	86.5869	2.0742
48EPE65D4	750	65	70.3865	542846-12	113.2308	2.7124
48EPE90D4	510	90	111.9428	542846-31	166.1383	3.7809
48EPE125D4	360	125	127.3235	542846-36	234.4323	5.3350
48EPE150D4	240	150	190.6085	542846-36	350.9548	7.9868
48EPE200D6	178	200	282.9741	542846.12	479.1795	10.9048
48EPE500D6	53	500	903.0329	542846-12	1609.6500	34.7997
48EPE1000D8	33	1000	1449.6660	542846-12	2584.0198	55.8650

\* 注意: Matrix工具连接器 - 规格相同

\*\* 注意: 图中所示为销固定器型号。球固定器型号(终端B)的规格与此相同。

## 7.2 48E系列工具内存 (持续)

### 48E系列电流控制螺母扳手 - Air-LB工具连接器

型号编号	最高转速 [RPM]	最大扭矩 [Nm]	扭矩校准 [Nm]	传感器类型	角度校准 [PPD]	静态电流因数 [Nm/A]
<b>48ES系列直柄螺母扳手 **</b>						
48ESE12Q	4000	12	13.9592	542846-12	21.3330	0.5379
48ESE12D2	4000	12	13.9592	542846-12	21.3330	0.5379
48ESE25D3	1820	25	33.2354	542846-31	46.8588	1.1225
48ESE36D3	1290	36	37.8018	542846-36	66.1209	1.5840
48ESE48D3	985	48	49.8132	542846-48	86.5869	2.0742
48ESE65D4	750	65	70.3865	542846-12	113.2308	2.7124
48ESE90D4	510	90	111.9428	542846-31	166.1383	3.7809
48ESE125D4	360	125	127.3235	542846-36	234.4323	5.3350
48ESE150D4	240	150	190.6085	542846-36	350.9548	7.9868
<b>48ES系列直柄螺母扳手</b>						
48ESE12ZA	4000	12	13.9592	542846-12	21.3333	0.5379
48ESE271ZB	1820	27	33.2354	542846-31	46.8595	1.1225
48ESE361ZB	1290	36	37.8018	542846-36	66.1219	1.5840
48ESE602ZB	855	57	103.2743	542846-100	99.4078	2.3813
48ESE702ZB	570	68	102.1637	542846-100	148.8176	3.5649
48ESE802ZB	450	82	153.7513	542846-40	188.3146	4.2855
48ESE1152ZB	320	115	150.7974	542846-40	264.9600	6.0298
48ESE1502ZB	245	150	149.1546	542846-40	345.6000	7.8649
48ESE1653ZB	220	165	376.0907	542846-100	381.0632	8.6720
48ESE2503ZB	145	548	372.0461	542846-100	570.4674	12.9823
<b>48ET系列直柄螺母扳手</b>						
48ETE20T2	1425	20	35.9914	542846-17	59.7333	0.9790
48ETE30T3	1030	30	49.8343	542846-17	82.7077	1.3556
48ETE40T4	770	40	66.4457	542846-17	110.2769	1.8075

\* 注意: Matrix工具连接器 - 规格相同

\*\* 注意: 图中所示为销固定器型号。球固定器型号 ( 终端B ) 的规格与此相同。

## このマニュアルについて

このマニュアルの原文は英語です。このマニュアルは本製品の操作および保守を行うすべての人を対象とします。

このマニュアルの目的は次のとおりです。

- 安全かつ有効な操作のための重要な指示事項を示すこと
- 本製品の機能と操作について説明すること
- テクニカルデータ、保守間隔、スペアパーツ発注に関する参考情報を提供すること
- オプション装備に関する情報を提供すること

## 使用記号:

→ 遵守すべき指示事項を示します。

- 個々の項目を示します。

<..> 部品分解図の参照番号を示します。

太字 指示中の重要事項を示します。

OK OK (適切)

NOK Not OK (不適切)

## 図中の記号:

→ 運動方向を示します。

↓ 機能または力を示します。

## 著作権保護:

Apex Tool Group, LLC は本文書または本製品を予告なく改変、増補または改良する権利を留保します。Apex Tool Group, LLC の明示的な許諾なく本文書の全部または一部を何らかの方法・形態・形式で複製すること、他の自然言語または機械可読言語あるいは電子的・機械的・光学的データ担体に複写することを禁じます。

## 1 安全:

### 警告および注記

警告は注意喚起語と絵文字で示されます。

- 注意喚起語は危険の程度と可能性を示します。
- 絵文字は危険の種類を示します。

警告



人の健康・安全に危険を及ぼす可能性のある状況を示します。この警告に従わないと死亡または重傷事故のおそれがあります。

注意



軽傷または中程度の負傷あるいは物損・環境を損傷する危険がある状況を示します。



一般的注記: 使用上のヒントその他の有用な情報を示します。危険性の表示ではありません。

## 製品上に表示される記号

本製品を使用する前に意味を確認してください。



電気: 人の健康・安全に危険を及ぼす可能性のある状況を示します。安全および操作に関する指示に従わないと感電、火傷あるいは重傷のおそれがあります。



すべての指示事項を読んでください。



本製品のすべてのコンポーネントおよびその梱包の廃棄については現地の規定に従ってください。



CE 適合



EurAsian conformity  
(ユーラシア適合マーク認証)

## 安全上の一般注意事項:締付けシステム

### 警告



感電の危険 電源電圧および 320 VDC との接触

ナットランナーコントローラおよび工具は、故障の場合感電の原因となることがあります。感電すると心停止・呼吸停止・火傷・重篤な負傷または死亡のおそれがあります。

→ 締付けシステムの使用を開始する前に必ず以下の安全指示を読み十分理解してください。

これらの指示に従わないと、上記の傷害のほか、ナットランナーコントローラの損傷や保証請求権の消滅につながるおそれがあります。

### 1 システムオペレーターへの注意

ここに記す安全上の注意事項はすべてを網羅するものではありません。設置に際しては、国・州・自治体の配線基準を遵守する義務があります。それらの基準はここに示すすべての情報に優先します。

ここに示す安全上の注意事項はオペレーターがいつでも参照できなければなりません。本製品の使用または修理に関わる人員に周知し、利用できるようにしてください。

### 2 オペレーターの訓練

ナットランナーコントローラの運転、調整、試験は訓練を受けた有資格者のみが行うことができます。教育と資格認定は APEX の有資格スタッフ<sup>1)</sup>が行います。

ナットランナーコントローラは APEX による事前設定が施されています。特定のスクリュージョイントに適合させるための設定は、必ず有資格者<sup>1)</sup>がナットランナーコントローラを用いて行うものとします。詳細についてはプログラミングマニュアルを参照してください。

### 3 所定用途

APEX 締付けシステムは工業的締結作業専用です。

→ 本締付けシステムは必ず下記の条件下で使用してください。

- 屋内で使用
- 工業的 EMC 限界値クラス A でのみ使用

### 4 個人用保護具

機械に巻き込まれて負傷する危険:

→ 回転部品を使用する作業においては、手袋の着用は禁止されます。

→ 体に合った作業衣を着用してください。

→ 必要に応じてヘアネットを使用してください。

部品の飛散により負傷する危険:

→ 保護眼鏡を使用してください。

### 5 作業場所

→ 作業場所は常に整理整頓しておいてください。

→ 作業場所には十分な空間を確保してください。

→ ナットランナーを使用するときは注意が散漫にならないようにし、自身の動作に注意を向け、常識を働かせてください。疲れているとき、あるいは薬物・アルコール・医薬品の影響が残っている状態で工具を使用してはなりません。ナットランナー操作中の一瞬の不注意がもとで重傷を負うことがあります。

### 6 操作

→ 地絡保護器によって電源が切断されたときは、作業を再開する前に地絡故障電流の原因を除去してください。

→ プラグをコンセントから抜かないでください。

→ ケーブルを火気・油・角の尖った物体または可動部品に近づけないでください。

→ 損傷したケーブルは直ちに交換してください。

### 7 清掃

→ 電動工具およびナットランナーコントローラは、湿した布を用いて外側のみを清掃してください。

→ 高圧洗浄機は使用しないでください。

### 8 廃棄

締付けシステムのコンポーネントおよび補助資材には健康や環境に危険を及ぼすものがあります。

→ 廃棄する前にコンポーネントと包装材を分け、材料に従って分別してください。

→ 工具および不良なナットランナーコントローラは、社内の収集設備または販売・サービスセンターに返送してください。

→ 現地の法規を遵守してください。



一般的な廃棄ガイドライン(ドイツならば電気・電子機器法(ElektroG)および電池法(Battg))を遵守してください。

→ 消耗した蓄電池は廃棄してください。不良な蓄電池は社内の収集設備または販売・サービスセンターに返送してください。

1. 有資格者とは、専門的訓練・知識・経験および行おうとする作業に関する諸条件の理解に基づいて、生じ得る危険性を認識し適切な安全対策を講じ得る者をいいます。有資格者は諸規則を遵守しなければなりません。



## 安全上の一般注意事項:コントローラー

→ Apex Tool Group LLC の書面による許諾なくナットランナーコントローラー、ガードまたはアクセサリを改造することを禁じます。

→ ナットランナーコントローラーまたはそのコンポーネントを開けないでください。目的がトラブルシューティングであっても、その他の操作であっても同様です。内部に手を加えることはエラーの原因となり、結果として感電による重傷につながるおそれがあります。

コントローラーを開けたまま操作すると下記の可能性があります。

- ・ 放出電磁波の増加:他の装置に影響することがあります。
  - ・ 電磁波耐性の低下:ナットランナーコントローラーが誤作動することがあります。
  - ・ ナットランナーコントローラーを開けると保証が無効となります。
- 修理の際は、ナットランナーコントローラー全体を最寄りの販売・サービスセンターまでお送りください。

### 1 所定用途

本製品は APEX 締付けシステムの一部であり、工業的締結作業専用です。

→ ナットランナーコントローラーは下記の条件下でのみ使用してください。

- ・ APEX 工具との組み合わせ
  - コード式工具
  - LiveWire EC コードレス工具
  - 内蔵ナットランナー
- ・ APEX 承認済みアクセサリおよびケーブルとの組み合わせ
- ・ 許容範囲内の電源電圧
- ・ ナットランナーに適合する定格 (必須)
- ・ 承認上限以内のケーブル長さ
- ・ 屋内で使用
- ・ 工業的 EMC 限界値クラス A でのみ使用

→ 下記の条件でナットランナーコントローラーを使用しないでください。

- ・ 危険性のある区域
- ・ 湿気の多い室内 / 屋外

### 2 環境条件

→ ナットランナーコントローラーを熱源、火気、爆発性雰囲気、湿気から遠ざけてください。

機能	温度	相対湿度	使用高度
輸送/保管	-13°F ~ +158°F (-25°C ~ +70°C)	0~90% 結露なきこと	海拔 9800 ft. (3000 m) まで
運転	+32°F ~ +113°F (0°C ~ +45°C)		

### 3 電源の必要条件

→ 必ず接地付き電源 (TN 電源) を使用してください。IT 電源に接続して使用してはなりません。

ナットランナー コントローラー	入力電圧、単相	周波数	入力電流 最大 16 A
mPro400GC-P	115 VAC (104~126 VAC) 230 VAC (207~254 VAC)	50~60 Hz	2 A 1 A
mPro400GC-P230	230 VAC (207~254 VAC)		1 A
mPro400GC-S	115 VAC (104~126 VAC) 230 VAC (207~254 VAC)		2 A 1 A
mPro400GC-S230	230 VAC (207~254 VAC)		1 A
mPro400GC-M	115 VAC ~ 230 VAC (104 ~ 254 VAC)		1 A ~ 0.5 A
mPro400GC-E	115 VAC (104~126 VAC) 230 VAC (207~254 VAC)		2 A 1 A
mPro400GC-I	115 VAC (104~126 VAC) 230 VAC (207~254 VAC)		2 A 1 A

### 4 設置

挫傷の危険:ナットランナーコントローラーが落下すると足を傷つける可能性があります。

→ 適切な吊り上げ装置を使用してください。

→ 安全靴を着用してください。

→ ナットランナーコントローラーの確実な支持を確保してください (4xM6、緩み止め、「ハードウェアの説明」P2174HW を参照)。

→ 接続するケーブルやライン類は、損傷することのないよう、また人がつまづくことのないように安全に敷設してください。

→ ケーブルの全長は 65.6 ft (20 m) 以内としてください。これより長くなるときは絶縁変圧器 (注文番号 544185PT) が必要です。

損傷すると高圧の漏れ電流が生じ、上記のような傷害の原因となるおそれがあります。

→ 保護被膜付きの電源ケーブルを使用してください。変更する場合は規格に適合する電源管理を行ってください。

→ 115 VAC の場合:より断面積の大きいケーブルを使用してください。

→ マシン/ワークピースと工具の間に等電位ボンディング確立してください。

→ ナットランナーコントローラーに通電する前に、すべての接続が正常に行われていることを確認してください («ハードウェアの説明」P2174W を参照)。

### 5 初回運転の前に

→ 初回運転前に現地の規格 (ドイツでは DGUV Vorschrift 3) に基づき PE 測定を実施してください。

→ ナットランナーコントローラーおよび工具に関する安全上の注意事項を遵守してください。

→ ナットランナーコントローラー、工具、ケーブルに明らかな損傷がないことを確認してください。

→ 切り替え、清掃、使用停止の際には、電源および工具ケーブルを接続する前に、ナットランナーコントロールを停止して接続解除してください。

### 6 操作

→ 異音、振動あるいは異臭のあったときは直ちにナットランナーコントローラーを停止してください。電源の接続を外し、締付けシステムの点検、および必要に応じて修理を有資格者に依頼してください。

→ 損傷したケーブルは直ちに交換してください。

7 保守

- 安全保守プログラムを策定し、確実に実行してください。このプログラムはナットランナーコントローラーの全寿命を通じて、法規への適合・検査および保守を保証するものでなければなりません。
- 現地の法規(ドイツでは DGUV Vorschrift 3)に定められた間隔で地絡保護器の試験を行ってください。

mPro400GC-P、mPro400GC-S

- ナットランナーコントローラー底面のテストボタンを押します。

mPro400GC-P230、mPro400GC-S230

- ソケット GFCI Test により接地漏洩電流を確認します(保守マニュアル P2249WA を参照)。または
- ナットランナーコントローラー底面のテストボタンを押します。

安全上の一般注意事項: 電動工具

**警告**




すべての安全上の注意および指示を熟読してください。これらの注意および指示を遵守しないと感電、火災あるいは重傷のおそれがあります。

すべての安全上の注意および指示は今後も参照できるようにしてください。

ここで言う「電動工具」には、商用電源で駆動される工具(電源ケーブル付き)およびバッテリーを電源とする工具(電源ケーブルなし)の双方が含まれます。

1 作業安全性



- a) 作業場所を清潔にし、十分な照明を確保してください。乱雑な環境、暗い環境は事故の原因となることがあります。
- b)  爆発性環境(可燃性液体、ガス、粉塵の存在する環境)で電動工具を使用しないでください。電動工具は火花を発生するので粉塵や蒸気に着火するおそれがあります。
- c) 電動工具使用中は子供など関係者以外の者が近寄らないようにしてください。気が散ると工具のコントロールを失うことがあります。


2 電気安全

- a) 電動工具の電源コネクターはソケットまたはレセプタクルに適合するものでなければなりません。コネクターは決して改造しないでください。接地した電動工具とアダプターコネクターは、決して一緒に使用しないでください。改造されていないコネクターと適切なレセプタクル/ソケットの組み合わせによって感電の危険を減らすことができます。
- b) 配管、放熱器、調理器、冷蔵庫などの接地された面に触れないようにしてください。自身の体が接地されると感電の危険が大きくなります。
- c) 電動工具は雨や湿気から保護してください。電動工具に水が入ると感電の危険が大きくなります。

- d) ケーブルは誤った使い方(電動工具の運搬や吊り下げ、コネクターをソケット/レセプタクルから引き抜くためにケーブルを使用する)をしないでください。ケーブルを火気・油・角の尖った物体または可動部品に近づけないでください。ケーブルの損傷やもつれによって感電の危険が大きくなります。
- e) 電動工具を屋外で使用するときは、必ず屋外使用に適した延長ケーブルを使用してください。屋外使用に適した延長ケーブルを使用することで感電の危険を減らすことができます。
- f) 湿気が多い環境で電動工具を使用しなければならないときは、残留電流保護装置を使用してください。残留電流保護装置を使用することで感電の危険を減らすことができます。

3 人の安全

- a) 電動工具使用中は常に自身の動作に注意を向け、適切に行動してください。薬物、アルコールまたは医薬品の影響が残っている状態で電動工具を使用してはなりません。電動工具使用中の一瞬の不注意が重傷につながることがあります。
  - b)  個人用保護具を着用し、特に安全眼鏡は必ず使用してください。電動工具の種類・用途に応じて粉塵マスク、滑り止め安全靴、ヘルメット、イヤーマフなどの個人用保護具を使用することで、負傷の危険を減らすことができます。
  - c) 意図しない起動を避けてください。電動工具を電源ないしバッテリーに接続する前、および持ち上げたり運んだりする前には必ず電源スイッチが切れていることを確認してください。指をスイッチの上に置いたままにすると事故の原因になります。電源スイッチを入れた、あるいは電源に接続した状態のままにしておくことも危険です。
  - d) 電動工具の電源を入れる前に設定工具やレンチを外してください。工具やレンチが本製品の回転部分に残っていると、負傷の原因になります。
  - e) 異常あるいは不自然な姿勢を避けてください。しっかりした姿勢をとり、常にバランスを保ってください。このようにすることで、予想外のことが起こっても電動工具を確実にコントロールできます。
  - f)  適切な衣服を着用してください。緩い衣服や装身具は禁止です。髪・衣服・手袋を可動部品に近づけないでください。緩い衣服・装身具・長髪は可動部品に巻込まれるおそれがあります。
  - g) 集塵器を取り付けることができる場合は、接続を確認し、正しく使用してください。集塵機を使用することで粉塵に関連する危険を減らすことができます。
- 4 電動工具の使用と取り扱い
- a) 過負荷は絶対に避けてください。作業に適した電動工具を使用してください。正しい電動工具を使用すれば、所定の性能範囲内で良好かつ安全に作業することができます。
  - b) スwitchの故障している電動工具は絶対に使用しないでください。電源のオン/オフができない電動工具は危険であり修理が必要です。

- c)  工具の設定の変更・アクセサリの交換・工具の片づけの前には、ナットランナーコントローラーからコネクタを抜くか、ケーブルをソケットまたはレセプタクルから抜くか、あるいはバッテリーを取り外しまたは切り離してください。このような予防措置により、意図しない電動工具の起動を防止することができます。
- d) 使用していない電動工具は子供の手の届くところに置かないでください。電動工具は、操作の知識のない、あるいは取扱説明書を読んでいない人に使わせてはなりません。電動工具は未経験者が扱うのは危険です。
- e) 電動工具は注意深く取り扱ってください。回転部品が問題なく円滑に動くことを確認してください。また部品に、工具の機能を損なうような破損・損傷がないことを確認してください。工具を使用する前に損傷した部品の修理を手配してください。多くの事故は、保守が不完全であったために起きています。
- f) 切削工具は鋭さを保ち清潔にしておいてください。丁寧に保守した鋭い刃を持つ切削工具を使えば不具合も少なく、ガイドや操作も容易です。
- g) 電動工具、アクセサリ、打撃工具は必ずこの説明書に従って使用してください。また作業場所の周囲の状況や行おうとしている作業の性質にも注意を払ってください。電動工具を想定外の用途に使用することは危険です。

## 5 サービス

- a) 電動工具の修理は必ず適切な資格<sup>1)</sup>を持つ専門家が行うようにし、また予備部品は必ず純正品を使用してください。これによって電動工具の高い安全性を維持することができます。

## ハンドヘルド電動ナットランナーの安全上の注意事項

### 1 電気安全

- a) PE 接続の電源が低電流であることを確認してください。
- b) ケーブルの長さが 66 ft (20 m) を超えるときは電源トランスを使用してください。最大長さは 164 ft (50 m) です。

### 2 人の安全

- a) 18ET/EC、48ET/EC シリーズ: 不用意にスタートキーを押すと (たとえば工具を片付ける際など) 出力ドライブ内でチャック (ビットホルダー) が回転することがあります。これにより指を負傷したり、深刻な事故では指を切断する危険があります。チャックには決して指を入れないでください。ビットを交換するときはまず電源ケーブルを抜いてください。
- b) 手袋の着用は禁止です。
- c) 工具はしっかりと握って使用してください。反作用トルクが急激に変化する可能性があることに注意してください。

- d) 工具を狭いスペースで使用する場合、およびトルクが
- 3 ft.lbf (4 Nm) (ストレート工具)
  - 7 ft.lbf (10 Nm) (ピストン/ガン工具)
  - 44 ft.lbf (60 Nm) (アングル工具)
- を超える場合は、必ずリアクションバーを使用してください。使用中はリアクションバーに手を触れないでください。
- e) サスペンションベイルがバランスに正しく固定されていることを確認してください。

### バーコードスキャナー内蔵工具



クラス 2 レーザー製品  
クラス 2 レーザー スキャナーは低出力の可視光ビームを発生するレーザーダイオードを使用しています。その光は太陽のような極めて明るい光源に匹敵するものです。  
このため眼に傷害を及ぼすおそれがあります。

- a) レーザービームを覗きこまないでください。
- b) 光学部品の故障は直ちに修理してください。
- c) バーコードスキャナーの改造は禁止です。
- d) 不良な工具は直ちに使用を停止してください。

### 3 ハンドヘルド電動ナットランナーの使用と取り扱い

- a) 機械制御の工具にはスクリュービットのみを使用してください。
- b) スクリュービットが確実に挿入されていることを確認してください。
- c) スクリュービットはスクリューヘッドに真っ直ぐに取り付けてください。
- d) 工具の清掃に高圧洗浄機を使用しないでください。
- e) 工具を洗浄液に漬けないでください。

### 4 所定用途

本製品は APEX 締付けシステムの一部であり、ネジを持つ締結部品の締付け・緩めにのみ使用するように設計されています。

→ 必ず Apex Tool Group の提供する mPro400GC シリーズのコントローラー、アクセサリ、および工具ケーブルと組み合わせで使用してください。

→ ハンマーとして使用したり、あるいは曲げ直しに使用しないでください。

→ 本製品を開けたり改造したりしないでください。

→ 爆発の危険のある場所で使用しないでください。

### 5 環境条件

機能	温度	相対湿度	使用高度
輸送/保管	-13°F ~ +158°F (-25°C ~ +70°C)	0 ~ 90% 結露なきこと	海拔 9800 ft. (3000 m) まで
運転	+32°F ~ +113°F (0°C ~ +45°C)		

1. 適切な資格を有する者とは、職業的訓練・知識・経験およびこの種の作業に関連する状況の理解により、生じ得る危険性を検知し適切な安全対策を講じ得る者をいいます。有資格者は法令・規則を遵守する義務があります。



## 2 納入品目、輸送、保管:

### 納入品目

輸送中の損傷の有無を点検し、すべての品目が受領できたことを確認してください。

- ・ 正しい製品
- ・ 取扱説明書
- ・ 適合宣言書

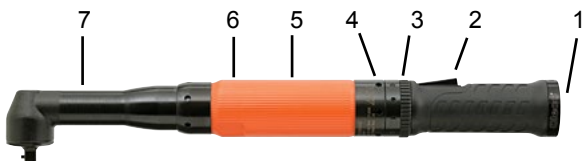
### 輸送/保管

輸送または保管にはオリジナルの包装材を使用してください。保管中は電源を抜いてください。包装材はリサイクルできます。安全上の注意事項の環境条件の項を参照してください。

## 3 製品の説明

### コード式ナットランナー

- ・ レゾルバー付き低慣性ブラシレスモータートルク/角度により停止制御
- ・ サービスメモリーを含めプリアンプ内蔵コントローラー接続時に工具を自動識別
- ・ LED ディスプレイに現在のランダウン結果を表示
- ・ 時計方向・反時計方向回転
- ・ 締付けパラメータをコントローラーにより設定
- ・ データ通信および電源供給のためコントローラーと工具を工具ケーブルで接続



コード式ナットランナー	
番号	説明
1	電源接続部
2	スタートボタン
3	逆転機構
4	LED ライトリング
5	モーターアセンブリ
6	ギヤ
7	アタッチメント

## LED ライトリングディスプレイ

LED	説明
緑色連続点灯	正常
赤色連続点灯	異常
黄色	有効

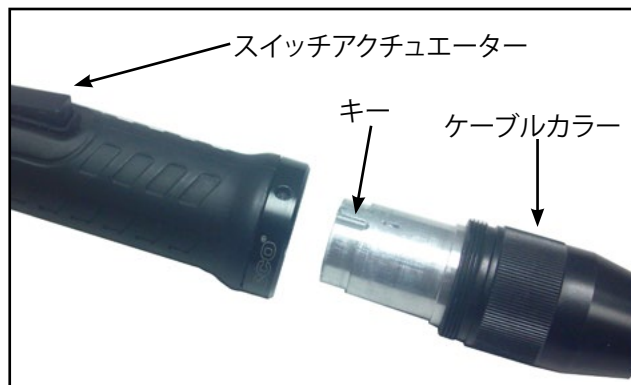
## 4 初回運転の前に:

### 電源

ナットランナーの電源は工具コントローラーからケーブル経由で供給されます。

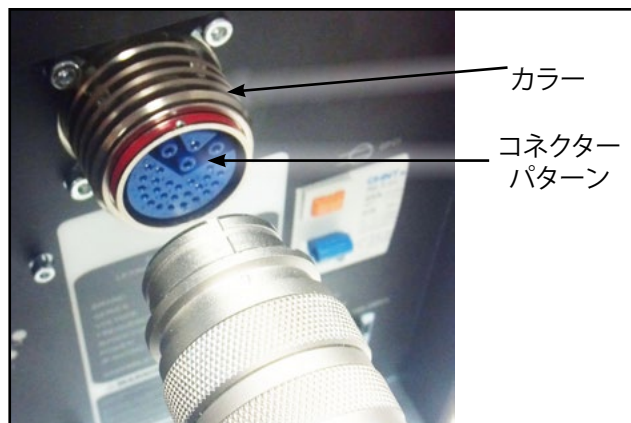
### ケーブルの工具への接続

ケーブルの工具側コネクタをナットランナーのハンドルに挿入します。コネクタ上のキーを工具ハンドルのスイッチアクチュエーターに合わせてください。これによりハンドル内部でキーとスロットが噛み合います。ケーブルカラーを工具ハンドルにねじ込み、しっかりと固定します。



### ケーブルのコントローラーへの接続

ケーブルの他端をコントローラー上の工具コネクタに接続します。コントローラーの工具コネクタのカラーをコントローラー側へ押し込みます。工具ケーブルとコントローラーコネクタとのコネクタパターンを合わせてください。ケーブルコネクタをコントローラーコネクタに押し込み、カラーをケーブル側へ引いてケーブルコネクタをロックします。



mPro400GC-I グローバルコントローラー

48EAE シリーズ	ケーブル長さ		JA 説明
	ft	m	
<b>非 EU ケーブル - Air-LB コネクター</b>			
301866-XXX *	3 - 49	1 - 15	工具ケーブル (1)
301904-XXX *	3 - 49	1 - 15	スイベルケーブル: 直線 (1)
301903-XXX *	3 - 49	1 - 15	スイベルケーブル: 直角 (1)
301877-XXX	3 - 66	1 - 20	延長ケーブル
<b>EU ケーブル - Air-LB コネクター</b>			
961259-XXX **	3 - 66	1 - 20	工具ケーブル (1)
961250-XXX **	3 - 66	1 - 20	工具ケーブル (2)
961251-XXX **	3 - 66	1 - 20	スイベルケーブル: 直線 (2)
961252-XXX **	3 - 66	1 - 20	スイベルケーブル: 直角 (2)
961249-XXX **	3 - 66	1 - 20	延長ケーブル

\* 注: 3 ft (1 m) および 6 ft (2 m) ケーブルは延長ケーブル 301877 との共用が必要です。  
\*\* 注: 長さ 20 m の場合はトランスは不要です。  
(1) 標準耐久性  
(2) 高耐久性

48EA シリーズ	ケーブル長さ		JA 説明
	ft	m	
<b>非 EU ケーブル - Matrix コネクター</b>			
542778-XXX *	3 - 49	1 - 15	工具ケーブル (1)
544056-XXX *	3 - 49	1 - 15	スイベルケーブル: 直線 (1)
544055-XXX *	3 - 49	1 - 15	スイベルケーブル: 直角 (1)
542779-XXX	3 - 66	1 - 20	延長ケーブル
<b>EU ケーブル - Matrix コネクター</b>			
-----	-----	-----	-----
-----	-----	-----	-----
-----	-----	-----	-----
-----	-----	-----	-----
-----	-----	-----	-----
-----	-----	-----	-----

\* 注: 3 ft (1 m) および 6 ft (2 m) ケーブルは延長ケーブル 542779 との共用が必要です。  
(1) 標準耐久性

5 初回運転

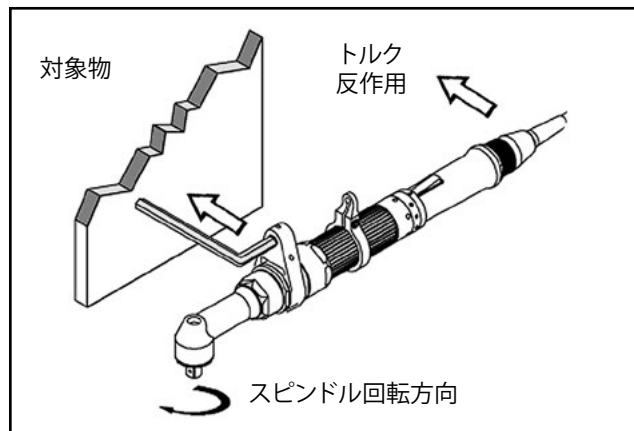
使用開始

警告



手の挫傷の危険があります。

→ 狭いスペースにある対象物に対する作業のとき、あるいは高トルクの工具 (直線工具 4 Nm、ピストルグリップ工具 10 Nm、アングル工具 60 Nm) を使用するとき、必ずトルクリアクションバーを用いてください。



締結部品のランダウンの実行

48E シリーズ・ナットランナーは Apex Tool Group により設定済みです。特定の締結ジョイントのための設定は、ナットランナーコントローラーを使用して必ず有資格者<sup>1</sup>が行うものとなります。初回運転は、ナットランナーコントローラーの種類とプログラムにより異なることがあります。ナットランナーコントローラーのプログラミングマニュアルを参照してください。

- 工具ケーブルが工具およびコントローラーに確実に接続されていることを確認してください。
- コントローラーの電源が入っていること、正しくプログラミングされていることを確認してください (コントローラーの取扱説明書を参照)。
- 逆転機構が正しい位置にあることを確認してください。
- ソケットまたはビットを対象物の上に置き、スイッチアクチュエーターを押してランダウンを開始します。
- ナットランナーが停止したらスイッチアクチュエーターを放します。
- ナットランナーを対象物から外します。

1. 有資格者とは、専門的訓練・知識・経験および行おうとする作業に關する諸条件の理解に基づいて、生じ得る危険性を認識し適切な安全対策を講じ得る者をいいます。有資格者は諸規則を遵守しなければなりません。



## 保守

ツール操作のあらゆる段階およびエア供給装置に対する定期的な点検を規定する、包括的な保守点検プログラムを実行してください。

毎日:

- すべてのケーブルおよび接続部の目視点検
- すべての外部ツールコンポーネントの目視点検
- ツールの過度な振動または異音のチェック

約 100,000 回のランダウン時:

- ツールケーブルの損傷または摩耗の有無の点検
- ツールケーブル接続部の確実な取付けの点検
- 出力スピンドルの損傷または摩耗の有無の点検
- 最大フリースピードの検査

約 500,000 回のランダウン時:

- ツールを分解してすべての部品について損傷または摩耗の有無を点検、必要に応じて交換
- アンクルヘッド、ギアおよびモーターベアリングの清掃と潤滑
- (装備されている場合)トランスデューサの再キャリブレーション

約 1,000,000 回のランダウン時:

- ツールを分解してすべての部品について損傷または摩耗の有無を点検、必要に応じて交換
- アンクルヘッド、ギアおよびモーターベアリングの清掃と潤滑
- (装備されている場合)トランスデューサの再キャリブレーション

## 潤滑剤

組立ツールのグリース給脂頻度は、その用途により決まります。すべてのギアは、それぞれの保守間隔が経過するまでの間に多量のグリースを必要とします。

部品番号	パッケージ済み	グリース
540395	2 oz. (0.06 kg)	Magnalube-G
513156	16 oz. (0.45 kg)	Magnalube-G
541444	2 oz. (0.06 kg)	Rheolube 363AX-1
541445	16 oz. (0.45 kg)	Rheolube 363AX-1

## 6 トラブルシューティング

不具合	考えられる原因	対策
工具が起動しない	スタートスイッチの不良	→ スタートスイッチを交換
	速度 (RPM) がプログラムされていない	→ すべての作動ステージに対して速度をプログラム
	コントローラーが工具の有効化待ち	→ Tool Enable(工具有効化)入力を有効化、またはもし不要ならば Tool Enable(工具有効化)を無効化
	ケーブルの不良	→ ケーブルを修理または交換
	ケーブルまたは工具内のピンの曲り	→ 接触ピンを真っ直ぐにする、または不良コネクタを交換
	工具交換後に自己同定データが認識されない	→ Data(データ)を再度有効にする(工具の設定)
工具ケーブル接続後に音響信号なし	ソフトウェアが正しくない	→ コントローラーのソフトウェア、または測定ボードのソフトウェアを確認
	ケーブルの不良	→ ケーブルを交換
	工具の不良	→ 工具を交換
反時計方向回転を有効にしたとき工具が起動しない	反時計方向回転に対して速度パラメータが 0 rpm に設定されている	→ 反時計方向回転の速度をプログラム
工具が締付け方向には起動するが反時計方向には起動しない	反時計方向回転の速度がプログラムされていない	→ 反時計方向回転の速度をプログラム
	逆転スイッチの不良	→ スタート/逆転スイッチアセンブリを交換
	ケーブルの不良	→ ケーブルを修理または交換
	ケーブルまたは工具内のピンの曲り	→ 接触ピンを真っ直ぐにする、または不良コネクタを交換
希望するトルクで工具が停止するが角度表示がない	トルク閾値が高すぎる	→ 締付けシーケンスを修正、またはトルク閾値を減少
工具の停止が早すぎる	コントローラーが工具を停止させる前にオペレーターがスタートスイッチを放している	→ シーケンス終了までスタートスイッチを確実に押す
	締結時間が標準より 10 秒以上長い	→ 締結時間を延長
	工具の角度が設定値を超過	→ 締付けシーケンスをチェックしトルクの終了値または角度の設定値が正しいことを確認必要に応じ調整 締結ジョイントに著しい変化がないか確認
工具の速度が変化しない	全ステージを通じて速度が一定	→ 各ステージの速度とスイッチング角度が正しいかどうか確認
逆転スイッチを押すと工具上の LED が点滅	既定パラメータによる正常な動作	→ Blink Lights when Tool in Reverse (工具逆転時に LED 点滅) のチェックボックスを有効または無効にする
ランスクリーン上に警告 Offset Transducer 1/2 NOK (オフセットトランスデューサー 1/2 NOK) が表示	トランスデューサーがトルク 0 の値に戻らない	→ トランスデューサーに過負荷がかかった、交換が必要
	工具または配線の不良	→ 別のケーブルで工具を試すオフセット値および較正值は Diagnosis(診断)メニューでチェック可能
ランスクリーン上に警告 Tool Offline! (工具オフライン!) が表示	Tool Settings (工具設定) で工具が有効になっていない	→ Tool List (工具リスト) メニューをチェックし工具が有効であるか確認有効でなければステータス Manual acceptance needed (手動有効化が必要) が表示される Tool Settings (工具設定) メニューで設定を有効にするには正しい行をマークする
	ケーブルの不良により工具がナットランナーコントローラーに認識されない	→ ケーブルを修理または交換
コントローラーと外部トランスデューサーのトルク表示が異なる	Tool Settings (工具設定) でトルク較正係数 (Torque Cal) の調整が必要	→ 次式により Torque Cal. (Tool Settings (工具設定)) を修正: 新較正值 = (外部値/工具値) x 使用した較正值
	ユーザーの角度アタッチメントが工具に追加されている工具メモリの更新が必要	→ 工具メモリーを再プログラム
工具ケーブルと工具ハンドルが合わない	ケーブルが正しくないナットランナーコントローラー mPro400GC と共用する工具は Air-LB コネクタを使用。寸法が従来の Matrix コネクタと異なる	→ 使用中の工具に適合したケーブルを使用

## 7.1 48Eシリーズの性能データ:

### 48E シリーズ電流制御ナットランナー - Air-LB 工具コネクター \*

モデル番号	工具性能範囲				最大速度 (rpm)	全長		重量		ヘッド重量		側面-中心間距離		出力ドライブサイズ
	最大トルク		最小トルク			in	mm	lbs	kg	in	mm	in	mm	
	lb <sub>r</sub> ×ft	Nm	lb <sub>r</sub> ×ft	Nm										
<b>48EA シリーズ直角ナットランナー**</b>														
48EAE15AL3	11.1	15	2.2	3	2855	15.7	398	3.8	1.7	1.6	41	0.59	15	3/8"
48EAE28AL3	20.7	28	4.4	6	1300	16.2	410	4.1	1.9	1.6	41	0.59	15	3/8"
48EAE41AM3	30.2	41	6.6	9	1090	17.3	440	4.3	2.0	1.9	48	0.75	19	3/8"
48EAE58AM3	42.8	58	8.9	12	770	17.3	440	4.3	2.0	1.9	48	0.75	19	3/8"
48EAE58AM4	42.8	58	8.9	12	770	17.3	440	4.3	2.0	1.9	48	0.75	19	1/2"
48EAE90AH4	64.2	87	13.3	18	515	18.5	470	6.6	3.0	2.3	58	0.81	21	1/2"
48EAE105AH4	76.7	104	15.5	21	340	18.5	470	6.6	3.0	2.3	58	0.81	21	1/2"
48EAE135MH4	98.1	133	19.9	27	265	19.1	485	7.3	3.3	2.4	61	0.94	24	1/2"
48EAE175AX6	129.8	176	26.6	36	190	21.6	549	10.2	4.6	2.7	69	1.06	27	3/4"
48EAE230AX6	169.6	230	33.9	46	145	21.6	549	10.2	4.6	2.7	69	1.06	27	3/4"
<b>48EA シリーズ直角フローティングスピンドルナットランナー</b>														
48EAE37S231	27.2	37	5.9	8	1225	18.7	474	5.4	2.4	2.7	69	0.67	17	3/8"
48EAE52S231	38.3	52	8.1	11	860	18.7	474	5.4	2.4	2.7	69	0.67	17	3/8"
48EAE53S341	39.1	53	8.1	11	850	20.0	509	6.0	2.7	3.3	83	0.87	22	1/2"
48EAE75S341	55.3	75	11.0	15	600	20.0	509	6.0	2.7	3.3	83	0.87	22	1/2"
48EAE95S341	70.0	95	14.7	20	460	20.5	521	7.4	3.4	3.3	83	0.87	22	1/2"
48EAE110S341	81.1	110	16.9	23	400	20.5	521	7.4	3.4	3.3	83	0.87	22	1/2"
48EAE135S461	99.5	135	20.6	28	270	20.6	522	8.9	4.0	3.7	94	1.06	27	3/4"
48EAE230S461	169.6	230	34.6	47	150	22.2	563	10.6	4.8	3.7	94	1.06	27	3/4"
<b>48EA シリーズ直角面ソケットナットランナー</b>														
48EAE37F2	27.3	37	5.9	8	1225	18.7	474	5.4	2.4	1.7	43	0.67	17	----
48EAE52F2	38.3	52	8.1	11	860	18.7	474	5.4	2.4	1.7	43	0.67	17	----
48EAE53F3	39.0	53	8.1	11	850	20.0	509	6.0	2.7	2.3	59	0.87	22	----
48EAE75F3	55.3	75	11.1	15	600	20.0	509	6.0	2.7	2.3	59	0.87	22	----
48EAE110F3	81.1	110	17.0	23	400	20.5	521	7.4	3.4	2.3	59	0.87	22	----
48EAE135F4	99.5	135	19.9	27	270	20.6	522	8.9	4.0	2.4	61	1.06	27	----
48EAE230F4	172.6	230	34.7	47	150	22.2	563	10.6	4.8	2.4	61	1.06	27	----
<b>48EA シリーズ直角ナットランナー</b>														
48EAE53H	39.8	54	8.1	11	850	20.2	512	7.9	3.6	2.4	61	1.06	27	----
48EAE75H	56.8	77	11.1	15	600	20.2	512	7.9	3.6	2.4	61	1.06	27	----
48EAE110H	85.6	115	17.0	23	400	20.2	512	8.9	4.0	2.4	61	1.06	27	----
48EAE135H	101.8	135	20.7	28	270	20.6	522	8.9	4.0	2.4	61	1.06	27	----
48EAE230H	169.6	230	34.7	47	150	22.2	563	10.6	4.8	2.4	61	1.06	27	----
<b>48EC シリーズ直角ナットランナー</b>														
48ECE30C1	22.1	30	7.7	10	860	20.5	521	5.5	2.3	1.7	43	0.63	16	----
48ECE30C3	22.1	30	7.7	10	860	20.5	521	5.5	2.3	1.6	40	0.63	16	----
<b>48EP シリーズピストルグリップナットランナー**</b>														
48EPE12Q	8.9	12	2.2	3	4000	8.3	211	2.7	1.2	----	----	0.84	21	1/4" Hex
48EPE12D2	8.9	12	2.2	3	4000	7.7	196	2.7	1.2	----	----	0.84	21	1/4"
48EPE25D3	18.4	25	4.4	6	1820	8.4	213	2.9	1.3	----	----	0.84	21	3/8"
48EPE36D3	26.6	36	5.9	8	1290	8.4	213	2.9	1.3	----	----	0.84	21	3/8"
48EPE48D3	35.4	48	7.4	10	985	8.6	218	3.0	1.4	----	----	0.84	21	3/8"
48EPE65D4	47.9	65	9.6	13	750	10.8	274	5.0	2.3	----	----	0.91	23	1/2"
48EPE90D4	66.4	90	14.0	19	510	11.3	287	5.3	2.4	----	----	0.91	23	1/2"
48EPE125D4	92.2	125	19.2	26	360	11.3	287	5.3	2.4	----	----	0.91	23	1/2"
48EPE150D4	110.6	150	22.9	31	240	11.3	287	5.3	2.4	----	----	0.91	23	1/2"
48EPE200D6	144.0	195	92.0	125	180	16.2	410	9.5	4.3	----	----	1.13	29	3/4"
48EPE500D6	368.0	500	225.0	300	53	16.2	410	9.8	4.5	----	----	1.13	29	3/4"
48EPE1000D8	740.0	1000	370.0	500	33	19.2	486	16.2	7.3	----	----	1.50	38	1"

\* 注: Matrix 工具コネクター - 仕様は同一であり

\*\* 注: 上記はピンリテーナーモデルのもので、ボールリテーナーモデル (末尾が B) も同仕様です。

## 7.1 48Eシリーズの性能データ (続ける):

### 48E シリーズ電流制御ナットランナー - Air-LB 工具コネクター \*

モデル番号	工具性能範囲				最大速度 (rpm)	全長		重量		ヘッド重量		側面-中心間距離		出力ドライブサイズ
	最大トルク		最小トルク			in	mm	lbs	kg	in	mm	in	mm	
	lb <sub>f</sub> ×ft	Nm	lb <sub>f</sub> ×ft	Nm										
<b>48ES シリーズ直線型ナットランナー**</b>														
48ESE12Q	8.9	12	2.2	3	4000	13.5	343	3.0	1.4	---	---	0.91	23	1/4" Hex
48ESE12D2	8.9	12	2.2	3	4000	13.0	330	3.0	1.4	---	---	0.91	23	1/4"
48ESE25D3	18.4	25	4.4	6	1820	13.6	345	3.2	1.5	---	---	0.91	23	3/8"
48ESE36D3	26.6	36	5.9	8	1290	13.6	345	3.2	1.5	---	---	0.91	23	3/8"
48ESE48D3	35.4	48	7.4	10	985	13.8	351	3.3	1.5	---	---	0.91	23	3/8"
48ESE65D4	47.9	65	9.6	13	750	16.6	420	5.3	2.4	---	---	1.13	29	1/2"
48ESE90D4	66.4	90	14.0	19	510	17.1	435	5.6	2.5	---	---	1.13	29	1/2"
48ESE125D4	92.2	125	19.2	26	360	17.1	435	5.6	2.5	---	---	1.13	29	1/2"
48ESE150D4	110.6	150	22.9	31	240	17.1	435	5.6	2.5	---	---	1.13	29	1/2"
<b>48ES シリーズ直線型フローティングスピンドルナットランナー</b>														
48ESE12ZA	8.9	12	2.2	3	4000	16.7	425	3.4	1.5	---	---	0.91	23	1/4"
48ESE271ZB	19.9	27	5.9	8	1820	22.0	559	5.8	2.6	---	---	0.92	23	3/8"
48ESE361ZB	26.6	36	5.2	7	1290	22.0	559	5.8	2.6	---	---	0.92	23	3/8"
48ESE602ZB	42.0	57	8.1	11	855	24.4	620	8.4	3.8	---	---	1.10	28	1/2"
48ESE702ZB	50.2	68	10.3	14	570	24.4	620	8.4	3.8	---	---	1.10	28	1/2"
48ESE802ZB	60.5	82	12.5	17	450	26.7	678	9.6	4.4	---	---	1.10	28	1/2"
48ESE1152ZB	84.8	115	18.4	25	320	26.7	678	9.6	4.4	---	---	1.10	28	1/2"
48ESE1502ZB	110.6	150	22.9	31	245	26.7	678	9.6	4.4	---	---	1.10	28	1/2"
48ESE1653ZB	121.7	165	24.3	33	220	28.6	726	14.6	6.6	---	---	1.57	40	3/4"
48ESE2503ZB	182.9	548	36.8	50	145	28.6	726	14.6	6.6	---	---	1.57	40	3/4"
<b>48ET シリーズ直線型ナットランナー</b>														
48ETE20T2	14.8	20	7.4	10	1425	16.9	430	4.4	2.0	---	---	0.78	20	1/2"
48ETE30T3	22.1	30	11.1	15	1030	16.6	422	4.5	2.0	---	---	0.83	21	3/4"
48ETE40T4	29.5	40	14.8	20	770	17.9	454	5.3	2.3	---	---	1.18	30	1-1/16"

\* 注: Matrix 工具コネクター - 仕様は同一であり

\*\* 注: 上記はピンリテーナーモデルのもので、ボールリテーナーモデル (末尾が B) も同仕様です。

## 7.2 48E シリーズの工具メモリー:

### 48E シリーズ電流制御ナットランナー - Air-LB 工具コネクタ \*

モデル番号	最大速度 (rpm)	最大トルク [Nm]	トルク校正 [Nm]	トランスデュー サタイプ	アングルキャリ ブレーション [PPD]	静的電流係数 [Nm/A]
<b>48EA シリーズ直角ナットランナー**</b>						
48EAE15AL3	2855	15	17.9794	542846-12	29.8662	0.6929
48EAE28AL3	1300	28	42.8072	542846-31	65.6023	1.4458
48EAE41AM3	1090	41	50.9609	542846-31	78.0980	1.7212
48EAE58AM3	770	58	77.2838	542846-48	110.2015	2.4287
48EAE58AM4	770	58	77.2838	542846-48	110.2015	2.4287
48EAE90AH4	515	87	158.3540	542846-100	165.6771	3.6514
48EAE105AH4	340	104	156.6510	542846-100	248.0254	5.4662
48EAE135MH4	265	133	199.7300	542846-100	316.2324	6.9694
48EAE175AX6	190	176	231.2227	542846-40	441.5931	9.2456
48EAE230AX6	145	230	228.7037	542846-40	575.9910	12.0595
<b>48EA シリーズ直角フローティングスピンドルナットランナー</b>						
48EAE37S231	1225	37	45.8648	542846-31	70.2893	1.5491
48EAE52S231	860	52	69.5554	542846-48	99.1829	2.1859
48EAE53S341	850	53	65.5212	542846-31	100.4132	2.2130
48EAE75S341	600	75	99.3649	542846-48	141.6898	3.1226
48EAE95S341	460	95	98.2031	542846-48	185.5462	4.0892
48EAE110S341	400	110	203.5980	542846-100	213.0167	4.6946
48EAE135S461	270	135	201.4084	542846-100	318.8948	7.0280
48EAE230S461	150	230	297.2863	542846-40	567.7714	11.8873
<b>48EA シリーズ直角面一ソケットナットランナー</b>						
48EAE37F2	1225	37	45.8648	542846-31	70.2893	1.5491
48EAE52F2	860	52	69.5554	542846-48	99.1829	2.1859
48EAE53F3	850	53	65.5212	542846-31	100.4132	2.2130
48EAE75F3	600	75	99.3649	542846-48	141.6898	3.1226
48EAE110F3	400	110	203.5980	542846-100	213.0167	4.6946
48EAE135F4	270	135	201.4084	542846-100	318.8948	7.0280
48EAE230F4	150	230	297.2863	542846-40	567.7714	11.8873
<b>48EA シリーズ直角ナットランナー</b>						
48EAE53H	850	54	65.5212	542846-31	100.4132	2.2130
48EAE75H	600	77	99.3649	542846-48	141.6898	3.1226
48EAE110H	400	115	203.5980	542846-100	213.0167	4.6946
48EAE135H	270	135	201.4084	542846-100	318.8948	7.0280
48EAE230H	150	230	297.2863	542846-40	567.7714	11.8873
<b>48EC シリーズ直角ナットランナー</b>						
48ECE30C1	860	30	49.1424	542846-48	99.1829	1.5444
48ECE30C3	860	30	49.1424	542846-48	99.1829	1.5444
<b>48EP シリーズピストルグリップナットランナー**</b>						
48EPE12Q	4000	12	13.9592	542846-12	21.3330	0.5379
48EPE12D2	4000	12	13.9592	542846-12	21.3330	0.5379
48EPE25D3	1820	25	33.2354	542846-31	46.8588	1.1225
48EPE36D3	1290	36	37.8018	542846-36	66.1209	1.5840
48EPE48D3	985	48	49.8132	542846-48	86.5869	2.0742
48EPE65D4	750	65	70.3865	542846-12	113.2308	2.7124
48EPE90D4	510	90	111.9428	542846-31	166.1383	3.7809
48EPE125D4	360	125	127.3235	542846-36	234.4323	5.3350
48EPE150D4	240	150	190.6085	542846-36	350.9548	7.9868
48EPE200D6	178	200	282.9741	542846.12	479.1795	10.9048
48EPE500D6	53	500	903.0329	542846-12	1609.6500	34.7997
48EPE1000D8	33	1000	1449.6660	542846-12	2584.0198	55.8650

\* 注: Matrix 工具コネクタ - 仕様は同一であり

\*\* 注: 上記はピンリテーナーモデルのもので、ボールリテーナーモデル (末尾が B) も同仕様です。



## 7.2 48E シリーズの工具メモリー (続ける):

### 48E シリーズ電流制御ナットランナー - Air-LB 工具コネクター \*

モデル番号	最大速度 (rpm)	最大トルク [Nm]	トルク校正 [Nm]	トランスデュー サタイプ	アングルキャリ ブレーション [PPD]	静的電流係数 [Nm/A]
<b>48ES シリーズ直線型ナットランナー**</b>						
48ESE12Q	4000	12	13.9592	542846-12	21.3330	0.5379
48ESE12D2	4000	12	13.9592	542846-12	21.3330	0.5379
48ESE25D3	1820	25	33.2354	542846-31	46.8588	1.1225
48ESE36D3	1290	36	37.8018	542846-36	66.1209	1.5840
48ESE48D3	985	48	49.8132	542846-48	86.5869	2.0742
48ESE65D4	750	65	70.3865	542846-12	113.2308	2.7124
48ESE90D4	510	90	111.9428	542846-31	166.1383	3.7809
48ESE125D4	360	125	127.3235	542846-36	234.4323	5.3350
48ESE150D4	240	150	190.6085	542846-36	350.9548	7.9868
<b>48ES シリーズ直線型フローティングスピンドルナットランナー</b>						
48ESE12ZA	4000	12	13.9592	542846-12	21.3333	0.5379
48ESE271ZB	1820	27	33.2354	542846-31	46.8595	1.1225
48ESE361ZB	1290	36	37.8018	542846-36	66.1219	1.5840
48ESE602ZB	855	57	103.2743	542846-100	99.4078	2.3813
48ESE702ZB	570	68	102.1637	542846-100	148.8176	3.5649
48ESE802ZB	450	82	153.7513	542846-40	188.3146	4.2855
48ESE1152ZB	320	115	150.7974	542846-40	264.9600	6.0298
48ESE1502ZB	245	150	149.1546	542846-40	345.6000	7.8649
48ESE1653ZB	220	165	376.0907	542846-100	381.0632	8.6720
48ESE2503ZB	145	548	372.0461	542846-100	570.4674	12.9823
<b>48ET シリーズ直線型ナットランナー</b>						
48ETE20T2	1425	20	35.9914	542846-17	59.7333	0.9790
48ETE30T3	1030	30	49.8343	542846-17	82.7077	1.3556
48ETE40T4	770	40	66.4457	542846-17	110.2769	1.8075

\* 注: Matrix 工具コネクター - 仕様は同一であり

\*\* 注: 上記はピンリテーナーモデルのもので、ボールリテーナーモデル (末尾が B) も同仕様です。

## 사용 설명서 관련 정보

본 사용 설명서는 원래 영어로 작성되었습니다. 본 사용 설명서는 제품을 사용하고 유지보수하는 모든 사람을 대상으로 작성되었습니다.

본 사용 설명서의 목적은 다음과 같습니다.

- 안전과 효과적인 사용을 위한 중요 정보 제공
- 제품의 기능과 작동 방법 설명
- 기술 사양, 정비 주기, 부속품 주문 등에 관한 기준 가이드 제공
- 옵션 관련 정보 제공

### 본문에 사용된 기호:

- 따라야 할 지침을 나타냅니다.
- 목록을 나타냅니다.
- <.> 부품 분해도의 참조 번호를 나타냅니다.
- 굵은 글씨 중요한 기능이나 지침을 나타냅니다.
- OK 허용됨
- NOK 허용되지 않음

### 식별 기호:

- ➔ 방향 이동을 나타냅니다.
- ⇩ 기능이나 힘을 나타냅니다.

### 저작권 보호:

Apex Tool Group, LLC는 사전 예고 없이 본 사용 설명서나 제품을 수정, 보완 또는 개선할 수 있습니다. 본 사용 설명서의 전체 또는 일부를 어떤 방식이나 모양 또는 형태로 Apex Tool Group, LLC의 명시적인 허가 없이 전자적, 기계적, 광학적 또는 다른 방법으로 다른 자연어나 기계가 읽을 수 있는 언어 또는 데이터 이동 매체로 복제 또는 복사할 수 없습니다.

## 1 안전:

### 경고 및 주의사항

경고와 주의사항은 신호어와 그림문자로 표시합니다.

- 신호어는 임박한 위험의 심각도와 가능성을 나타냅니다.
- 그림문자는 위험의 유형을 나타냅니다.

#### 경고



건강과 안전에 잠재적으로 위험한 상황을 나타냅니다. 이 경고를 준수하지 않으면 심각한 부상을 당하거나 사망에 이를 수 있습니다.

#### 주의



피하지 않으면 경미한 부상이나 재산 및 환경 피해를 일으킬 수 있는 잠재적으로 위험한 상황을 나타냅니다.



일반 주의사항은 사용 팁을 포함하고 있지만 위험한 상황을 포함하지는 않는 유용한 정보를 나타냅니다.

### 제품상의 기호

제품을 사용하기 전에 다음 기호의 의미를 이해하고 숙지하시기 바랍니다.



전기: 건강과 안전에 잠재적으로 위험한 상황을 나타냅니다. 안전 및 사용상의 지침을 준수하지 않으면 감전, 화상 또는 심각한 부상을 당할 수 있습니다.



모든 지침을 읽고 숙지하십시오.



제품과 포장의 모든 구성품에 대한 현지 폐기 지침을 준수하십시오.



CE 규정 준수



EurAsian 적합성

## 체결 시스템 일반 안전 지침

### 경고



감전 위험. 주 전압 및 320 VDC 접촉.

너트러너 컨트롤러와 공구가 우발적인 감전을 일으킬 수 있습니다. 감전은 심장 마비, 호흡 정지, 화상을 비롯한 심각한 부상이나 사망을 일으킬 수 있습니다.

→ 다음 안전 지침을 읽고 완전히 이해한 후에 체결 시스템을 사용하십시오.

지침을 준수하지 않으면 앞에서 설명한 부상 외에 너트러너 컨트롤러가 손상되거나 기존 보증이 무효화될 수 있습니다.

### 1 시스템 사용자를 위한 주의사항

본 안전 지침에 모든 정보가 담겨있지는 않습니다. 설치 중에 국가 및 현지 안전 및 배선 기준을 반드시 준수해야 합니다. 이러한 기준은 본 항목에서 설명하는 정보에 우선합니다.

본 안전 지침을 사용자가 항상 접근할 수 있는 곳에 보관해야 합니다. 제품의 사용이나 수리에 관련된 사람이 항상 이용할 수 있어야 합니다.

### 2 사용자 교육

적절한 교육을 받은 유자격자만이 본 너트러너를 사용, 조정 또는 테스트할 수 있습니다. 해당 인력은 APEX 직원<sup>1)</sup>으로부터 교육을 받아야 합니다.

너트러너는 APEX에 의해 사전 설정되어 있습니다. 특정 나사 이음을 위한 설정은 유자격자가 너트러너 컨트롤러를 사용해 수행해야 합니다<sup>1)</sup>. 자세한 정보는 프로그래밍 설명서를 참조하십시오.

### 3 용도

APEX 체결 시스템은 산업 현장에서 체결용으로만 사용해야 합니다.

→ 다음 조건에서만 체결 시스템을 사용하십시오.

- 실내 사용 전용
- Industrial EMC Limit Value Class A 전용

### 4 개인 보호 장비

기계에 말려들어가거나 끼일 위험:

→ 회전 부품으로 작업할 경우 장갑 착용이 금지됩니다.

→ 몸에 꼭 맞는 옷을 입으십시오.

→ 필요한 경우 헤어네트를 착용하십시오.

배출된 부품에 의한 부상 위험:

→ 보안경을 착용하십시오.

### 5 작업장

→ 항상 작업장을 깨끗하고 청결하게 유지하십시오.

→ 충분한 작업 공간을 확보하십시오.

→ 항상 현재 진행 중인 작업에 주의를 기울이고, 너트러너 사용 시 상식 밖의 행동을 하지 마십시오. 피곤할 때나 술이나 약을 복용한 상태로 공구를 사용하지 마십시오. 너트러너 사용 중 잠시라도 한눈을 팔면 심각한 부상으로 이어질 수 있습니다.

### 6 작동

→ 누전 차단기가 시스템을 차단한 경우, 작동을 계속하기 전에 고장 전류의 원인을 찾아 해결하십시오.

→ 콘센트에서 플러그를 잡아당기지 마십시오.

→ 케이블을 열, 오일, 날카로운 물건, 동작 부품 근처에 놓지 마십시오.

→ 손상된 케이블은 즉시 교체하십시오.

### 7 세척

→ 젖은 천을 사용해 전동 공구와 너트러너 컨트롤러의 외부만 닦으십시오.

→ 고압 세척기를 사용하지 마십시오.

### 8 폐기

체결 시스템의 부품과 보조 자재는 건강과 환경에 위험을 줄 수 있습니다.

→ 폐기하기 전에 구성품과 자재를 분리하고 구분하십시오.

→ 공구와 결합이 있는 너트러너 컨트롤러는 회사 수거 시설이나 판매 및 서비스 센터로 반납하십시오.

→ 관련 현지 규정을 준수하십시오.



일반적으로 적용되는 폐기 규정을 준수하십시오 (예: 독일의 경우, ElektroG(Electrical and Electronic Equipment Act) 및 Battg(Battery Act)).

→ 다 쓴 충전 배터리는 반드시 폐기해야 합니다. 결합이 있는 배터리는 회사 수거 시설이나 판매 및 서비스 센터로 반납하십시오.

1. 유자격자는 전문적인 교육, 지식 및 경험과 수행할 작업과 관련된 조건의 이해를 기반으로 가능한 위험을 인식하고 적절한 안전 조치를 취할 수 있는 인력을 말합니다. 유자격자는 규정을 준수해야 합니다.

### 컨트롤러 일반 안전 지침

- Apex Tool Group LLC의 서면 승인 없이 너트러너 컨트롤러, 가드 또는 액세서리를 개조하지 마십시오.
- 문제 해결이나 다른 작업을 위해 너트러너 컨트롤러나 컨트롤러 부품을 열지 마십시오. 그럴 경우 오류 발생으로 인한 감전으로 심각한 부상을 당할 수 있습니다.

컨트롤러를 연 상태로 작동하면 다음과 같은 상황이 발생할 수 있습니다.

- 배출 증가: 다른 장비가 영향을 받을 수 있습니다.
  - 내성 감소: 너트러너 컨트롤러가 잘못된 결과를 발생시킬 수 있습니다.
  - 너트러너 컨트롤러를 열면 보증이 무효화됩니다.
- 판매 및 서비스 센터에 전체 너트러너 컨트롤러의 수리를 맡기십시오.

#### 1 용도

이 제품은 APEX 체결 시스템의 일부이고 산업 현장에서 체결용으로만 사용해야 합니다.

→ 다음 조건에서만 너트러너 컨트롤러를 사용하십시오.

- APEX 공구와 함께 사용
    - 유선 공구
    - 무선 LiveWire EC 공구
    - 내장 너트러너
  - 승인된 APEX 액세서리 및 케이블
  - 허용된 공급 전압
  - 너트러너 전용 정격
  - 승인된 최대 케이블 길이
  - 실내 사용 전용
  - Industrial EMC Limit Value Class A 전용
- 다음 조건에서는 너트러너 컨트롤러를 사용하지 마십시오.

- 위험 지역
- 습한 실내 / 실외

#### 2 주변 조건

→ 너트러너 컨트롤러를 열, 화염, 폭발 위험 및 수분으로부터 멀리 하십시오.

기능	온도	상대 습도	작업 높이
운송 / 보관	-13° F ~ +158° F (-25° C ~ +70° C)	0...90% 결로 현상 없음	해발 최대 9800 ft. (3000 m)
작동	+32° F ~ +113° F (0° C ~ +45° C)		

#### 3 필수 전원 공급 연결

→ 접지된 네트워크에서만 사용하십시오(TN 네트워크). IT 네트워크와 연동한 사용은 허용되지 않습니다.

너트러너 컨트롤러	입력 전압, 단상	주파수	입력 전류 최대 16 A
mPro400GC-P	115 VAC (104-126 VAC) 230 VAC (207-254 VAC)	50-60 Hz	2 A 1 A
mPro400GC-P230	230 VAC (207-254 VAC)		1 A
mPro400GC-S	115 VAC (104-126 VAC) 230 VAC (207-254 VAC)		2 A 1 A
mPro400GC-S230	230 VAC (207-254 VAC)		1 A
mPro400GC-M	115 VAC - 230 VAC (104-254 VAC)		1 A - 0.5 A
mPro400GC-E	115 VAC (104-126 VAC) 230 VAC (207-254 VAC)		2 A 1 A
mPro400GC-I	115 VAC (104-126 VAC) 230 VAC (207-254 VAC)		2 A 1 A

#### 4 설치

압착 위험. 너트러너 컨트롤러가 발 위에 떨어져 부상을 당할 수 있습니다.

- 적절한 리프트 장비를 사용하십시오.
- 안전화를 착용하십시오.
- 4xM6을 사용해 너트러너 컨트롤러가 느슨해지지 않게 확실히 고정하십시오(품목 설명 P2174HW 참조).
- 연결된 모든 케이블과 선이 손상되지 않고 발에 걸리지 않도록 안전하게 배선하십시오.
- 총 케이블 길이가 65.6 ft. (20 m)를 넘지 않게 하십시오. 이보다 길면 APEX 절연 변압기, 주문 번호 544185PT가 필요합니다.

고장 나면 고전압 누설이 발생해 앞에서 설명한 부상을 당할 수 있습니다.

- 동봉된 전원 케이블을 사용하십시오. 교체 시 표준 준수 네트워크 관리를 이용하십시오.
- 115 VAC에서는 단면적이 더 큰 케이블을 사용하십시오.
- 기계/공작물과 공구 사이에 등전위 분당을 구성하십시오.
- 너트러너 컨트롤러에 전원을 공급하기 전에 모든 연결부가 적절히 연결되었는지 확인하십시오(품목 설명 P2174W 참조).

#### 5 최초 작동 전에

- 최초 작동 전에 현지 규정(독일의 경우 DGUV Vorschrift 3)에 따라 PE 측정을 수행하십시오.
- 너트러너 컨트롤러와 공구의 안전 주의사항을 준수하십시오.
- 너트러너 컨트롤러, 공구 및 케이블에 결함이 있는지 점검하십시오.
- 교체, 세척 및 사용 중단 중에는 전원 및 공구 케이블을 연결하기 전에 너트러너 컨트롤러를 끄고 분리하십시오.

#### 6 작동

- 비정상적인 소리, 진동 또는 냄새가 발생할 경우 너트러너 컨트롤러를 즉시 끄십시오. 전원 공급 장치를 분리하고 유자격자에게 체결 시스템의 점검을 요청하고 필요한 경우 수리하십시오.
- 손상된 케이블은 즉시 교체하십시오.

7 유지보수

- 유지보수 프로그램을 수립하고 이에 따라 유지보수하십시오. 이 프로그램은 너트러너 컨트롤러의 전 수명 주기 단계에서 규정, 검사 및 유지보수를 준수해야 합니다.
- 현지 규정에 따른 시간 간격으로 누전 차단기를 테스트하십시오(독일의 경우 DGUV Vorshrift 3).

mPro400GC-P, mPro400GC-S

- 너트러너 컨트롤러의 하단 패널에 있는 테스트 버튼을 누르십시오.

mPro400GC-P230, mPro400GC-S230

- GFCI Test 소켓을 통해 누전 여부를 점검하십시오(유지보수 설명서 P2249WA 참조).
- 너트러너 컨트롤러의 하단 패널에 있는 테스트 버튼을 누르십시오.

**전동 공구 일반 안전 지침**




**경고** 모든 안전 주의사항과 지침을 읽고 숙지하십시오. 안전 주의사항과 지침을 따르지 않으면 감전이나 화재가 발생하거나 심각한 부상을 당할 수 있습니다.

필요할 때 참조할 수 있도록 모든 안전 주의사항과 지침을 안전한 곳에 보관하십시오.

본 안전 지침에서 사용하는 '전동 공구'라는 용어는 전원 작동식 공구(전원 케이블 사용)와 배터리 작동식 공구(전원 케이블 미사용)를 지칭합니다.

1 작업장 안전


- a) 작업 구역을 깨끗하고 밝게 유지하십시오. 깨끗하지 않거나 어두운 작업 구역은 사고를 유발할 수 있습니다.
- b)  가연성 유체, 기체 또는 분진 등을 포함한 폭발성 환경에서는 절대로 전동 공구를 사용하지 마십시오. 전동 공구가 불꽃을 일으켜 분진이나 증기에 불이 붙을 수 있습니다.
- c) 전동 공구 사용 중에 어린이나 다른 사람이 가까이 오지 않게 하십시오. 주의가 분산되면 장비 제어력을 잃을 수 있습니다.

2 전기 안전


- a) 전동 공구의 전원 커넥터가 소켓이나 콘센트에 맞아야 합니다. 어떤 식으로든 커넥터를 변경하지 마십시오. 어댑터 커넥터를 접지된 전동 공구와 함께 사용하지 마십시오. 커넥터를 변경하지 않고 적절한 소켓/콘센트를 사용하면 감전 위험이 감소합니다.
- b) 배관, 라디에이터, 조리기구, 냉장고 등 접지된 표면과 접촉하지 마십시오. 몸이 접지되면 감전 위험이 증가합니다.
- c) 전동 공구를 비와 수분으로부터 멀리 하십시오. 전동 공구에 물이 들어가면 감전 위험이 증가합니다.
- d) 케이블을 올바르게 사용하지 마십시오(예: 전동 공구 운반, 전동 공구 매달기, 소켓/콘센트에서 커넥터 당기기 등). 케이블을 열, 오일, 날카로운 물건, 동작 부품 근처에 놓지 마십시오. 케이블이 손상되거나 엉키면 감전 위험이 증가합니다.

- e) 실외에서 전동 공구를 사용할 경우, 항상 실외 사용에 적합한 연장선을 사용하십시오. 실외 사용에 적합한 연장선을 사용하면 감전 위험이 감소합니다.
- f) 어쩔 수 없이 축축하거나 습한 환경에서 전동 공구를 사용해야 하는 경우 누전 차단기를 사용하십시오. 누전 차단기를 사용하면 감전 위험이 감소합니다.

3 인명 안전

- a) 전동 공구를 사용할 때는 항상 현재 작업에 집중하고 합리적으로 행동하십시오. 절대로 술이나 약을 복용한 상태로 전동 공구를 사용하지 마십시오. 전동 공구를 사용할 때는 한 순간의 부주의가 심각한 부상으로 이어질 수 있습니다.
- b)  개인 보호 장비(PPE)를 착용하고 항상 보안경을 착용하십시오. 전동 공구의 유형과 용도에 따라 분진 마스크, 미끄럼 방지 안전화, 헬멧, 방음 귀마개 등 개인 보호 장비를 착용하면 부상 위험이 감소합니다.
- c) 우발적인 작동을 방지하십시오. 전동 공구를 전원 공급 장치나 배터리에 연결하거나, 전동 공구를 집어 들거나, 전동 공구를 운반하기 전에 전동 공구를 반드시 끄십시오. 손가락을 스위치에 올려 놓은 상태에서 전동 공구가 켜지거나 전원 공급 장치에 연결되면 사고가 발생할 수 있습니다.
- d) 전동 공구를 켜기 전에 세팅 공구나 렌치를 제거하십시오. 공구나 렌치를 회전 부품 근처에 남겨 놓으면 부상을 당할 수 있습니다.
- e) 비정상적이거나 이상한 자세를 취하지 마십시오. 안정적인 자세를 취하고 항상 균형을 유지하십시오. 그러면 예기치 않은 상황에서 전동 공구를 더 잘 제어할 수 있습니다.
- f)  적절한 작업복을 착용하십시오. 헐렁한 옷이나 장신구를 착용하지 마십시오. 머리, 옷 및 장갑을 동작 부품으로부터 멀리 하십시오. 헐렁한 옷, 장신구 또는 긴 머리가 동작 부품에 걸릴 수 있습니다.
- g) 집진기와 수거 장비를 장착한 경우 올바르게 연결하고 사용하십시오. 집진기를 사용하면 분진 관련 위험이 감소합니다.

4 전동 공구 사용 및 취급

- a) 전동 공구를 과부하시키지 마십시오. 용도에 맞는 전동 공구를 사용하십시오. 올바른 전동 공구를 사용하면 지정된 성능 범위 내에서 더욱 효율적이고 안전하게 작업할 수 있습니다.
- b) 절대로 스위치에 결함이 있는 전동 공구를 사용하지 마십시오. 더 이상 켜고 끌 수 없는 전동 공구는 위험하고 반드시 수리해야 합니다.
- c)  공구 설정을 변경하거나, 액세서리를 교체하거나, 공구를 다시 원위치하기 전에 너트러너 컨트롤러에서 커넥터를 뽑거나, 소켓/콘센트에서 공구 케이블을 뽑거나, 배터리를 제거 또는 분리하십시오. 이러한 예방책은 전동 공구의 우발적인 재작동을 방지합니다.



- d) 사용하지 않을 때는 어린이의 손이 닿지 않는 곳에 전동 공구를 보관하십시오. 전동 공구 사용이 익숙하지 않거나 사용 설명서를 읽지 않은 사람이 전동 공구를 사용하지 못하게 하십시오. 미숙한 사용자가 전동 공구를 사용하면 위험합니다.
  - e) 전동 공구를 조심스럽게 취급하십시오. 동작 부품이 완벽하게 작동하고 걸리지 않는지 점검하십시오. 전동 공구의 기능을 손상시킬 정도로 고장 났거나 손상된 부품이 있는지도 점검하십시오. 손상된 부품이 있으면 전동 공구를 사용하기 전에 수리하십시오. 유지보수가 불량한 전동 공구는 여러 사고의 원인이 될 수 있습니다.
  - f) 전동 공구를 날카롭고 깨끗하게 유지하십시오. 제대로 유지보수해 날이 날카로운 전동 공구는 덜 걸리고 조작과 작동이 더 쉽습니다.
  - g) 항상 본 지침에 따라 전동 공구, 액세서리 및 임팩트 공구를 사용하십시오. 주변 작업 조건과 작업의 성격에도 주의를 기울이십시오. 전동 공구를 원래 용도 이외의 다른 용도로 사용하면 위험한 상황이 발생할 수 있습니다.
- 5 정비**
- a) 항상 유자격자<sup>1)</sup>에게 전동 공구의 수리를 맡기고, 항상 정품 부품을 사용하십시오. 그러면 전동 공구에 대해 높은 안전 표준을 유지할 수 있습니다.

**핸드헬드 전동 너트러너 안전 지침**

**1 전기 안전**

- a) PE 연결에 저전류 소스가 있는지 확인하십시오.
- b) 케이블 길이가 66 ft. (20 m)를 넘으면 주전원 변압기를 사용하십시오. 최대 길이는 164 ft. (50 m)입니다.

**2 인명 안전**

- a) 18ET/EC, 48ET/EC 시리즈: 우발적으로 시작 키를 누르면 척(비트 홀더)이 출력 드라이브에서 회전할 수 있습니다 (예: 공구를 내려 놓을 때). 손가락이 압착되거나 절단될 수 있습니다. 손가락을 척에 넣지 마십시오. 비트를 교체하려면 먼저 공구 케이블을 분리하십시오.
- b) 장갑 착용은 금지됩니다.
- c) 손으로 공구를 꼭 잡으십시오. 빠른 반작용 토크 변화에 대비하십시오.
- d) 제한된 공간에서 공구를 사용하고 토크가 다음 값을 넘을 경우
  - 스트레이트 공구의 경우 3 ft.lbf (4 Nm)
  - 피스톤/건 공구의 경우 7 ft.lbf (10 Nm)
  - 앵글 공구의 경우 44 ft.lbf (60 Nm)
 항상 반작용 바를 사용하십시오. 사용 중에 절대로 손을 반작용 바 위에 올려놓지 마십시오.
- e) 서스펜션 고리가 밸런서에 적절히 고정되었는지 점검하십시오.

**바코드 스캐너 통합 공구**



**Class 2 레이저 제품**

Class 2 레이저 스캐너는 태양 같이 매우 밝은 광원에 필적하는 저출력 가시광선 빔을 생산하는 레이저 다이오드를 사용합니다. 따라서 눈을 손상시킬 수 있습니다.

- a) 레이저 빔을 들여다보지 마십시오.
- b) 고장 난 광학 부품은 바로 수리하십시오.
- c) 바코드 스캐너의 개조는 금지되어 있습니다.
- d) 공구에서 결함이 발견되면 즉시 작동을 중단하십시오.

**3 핸드헬드 전동 너트러너 사용 및 취급**

- a) 기계 제어식 공구용 스크류 비트만 사용하십시오.
- b) 스크류 비트가 안전하게 끼워졌는지 점검하십시오.
- c) 스크류 비트를 비스듬히 스크류 헤드에 장착하지 마십시오.
- d) 고압 세척기/분사기를 사용해 공구를 세척하지 마십시오.
- e) 공구를 세제에 담그지 마십시오.

**4 용도**

이 제품은 APEX 체결 시스템의 일부이고 나사식 파스너의 체결과 해체에 사용됩니다.

- 항상 Apex Tool Group에서 공급하는 mPro400GC 컨트롤러 시리즈, 액세서리 및 공구 케이블과 함께 사용하십시오.
- 해머로 사용하거나 재 공급을 위해 사용하지 마십시오.
- 공구를 열거나 구조적으로 변경하지 마십시오.
- 폭발 위험이 있는 장소에서는 사용하지 마십시오.

**5 주변 조건**

기능	온도	상대 습도	작업 높이
운송 / 보관	-13° F ~ +158° F (-25° C ~ +70° C)	0~90% 결로 현상 없음	해발 최대 9800 ft. (3000 m)
작동	+32° F ~ +113° F (0° C ~ +45° C)		

1. 이 유형의 작업과 관련된 직업 교육, 지식, 경험 및 이해도 때문에 유자격자는 잠재 위험을 파악하고 적절한 안전 조치를 취할 수 있습니다. 유자격자는 관련 규정을 준수해야 합니다.

## 2 공급 품목, 운송/보관:

### 공급 품목

운송 중에 제품이 손상되지 않았는지, 모든 품목이 빠짐없이 도착했는지 확인하십시오.

- 제품
- 사용 설명서
- 적합성 선언서

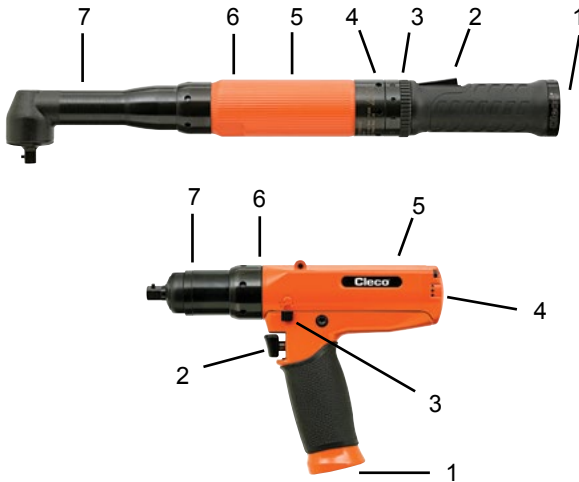
### 운송 / 보관

원래 포장으로 운송하고 보관하십시오. 운송 중에는 전원 공급 장치를 분리하십시오. 포장은 재활용이 가능합니다. 안전 지침의 주변 조건 항목을 참조하십시오.

## 3 제품 설명

### 유선 너트러너

- 레볼버 포함 저관성 브러시리스 모터. 토크/각도 제어식 멈춤.
- 통합 전치 증폭기, 서비스 메모리 포함. 컨트롤러 연결 시 자가 인식.
- LED 디스플레이를 통해 현재 런다운 결과에 관한 정보 제공.
- 시계 방향/반시계 방향 회전
- 체결 파라미터는 컨트롤러가 설정.
- 공구 케이블을 이용한 컨트롤러와 공구 간 데이터 전송 및 전원 공급.



유선 너트러너	
항목	설명
1	전원 연결
2	시작 버튼
3	역회전 메커니즘
4	LED 라이트 링
5	모터 조립품
6	기어 장치
7	작업 장치

## LED 라이트 링 디스플레이

LED	설명
녹색 연속 점등	OK
빨간색 연속 점등	NOK
노란색	Enable

## 4 최초 작동 전에:

### 전원 공급

너트러너 전원은 너트러너를 공구 컨트롤러에 연결하면 공급됩니다.

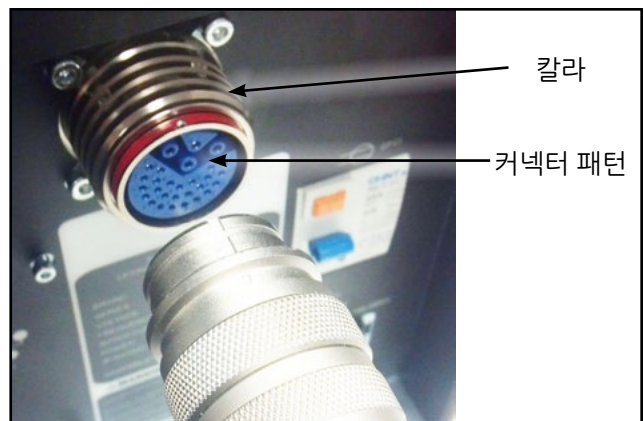
### 공구에 케이블 연결

케이블의 공구 연결 쪽을 너트러너 핸들에 끼우십시오. 케이블 커넥터의 키를 공구 핸들의 스위치 액추에이터에 맞추십시오. 그러면 키가 핸들의 슬롯에 결합됩니다. 케이블 칼라를 공구 핸들로 돌린 다음 꼭 조이십시오.



### 컨트롤러에 케이블 연결

케이블의 다른 쪽 끝을 컨트롤러의 공구 커넥터에 연결하십시오. 컨트롤러 공구 커넥터의 칼라를 컨트롤러 쪽으로 미십시오. 공구 케이블과 컨트롤러 커넥터의 커넥터 패턴을 맞추십시오. 케이블 커넥터를 컨트롤러 커넥터로 밀고 칼라를 케이블 쪽으로 당겨 케이블 커넥터를 제자리에 고정하십시오.



mPro400GC-I 글로벌 컨트롤러

공구 케이블

48EAE 시리즈	케이블 길이		KO 설명
	피트	미터	
비 EU 케이블 - Air-LB 커넥터			
301866-XXX *	3 - 49	1 - 15	공구 케이블 (1)
301904-XXX *	3 - 49	1 - 15	스위블 케이블: 인라인 (1)
301903-XXX *	3 - 49	1 - 15	스위블 케이블: 직각 (1)
301877-XXX	3 - 66	1 - 20	연장 케이블
EU 케이블 - Air-LB 커넥터			
961259-XXX **	3 - 66	1 - 20	공구 케이블 (1)
961250-XXX **	3 - 66	1 - 20	공구 케이블 (2)
961251-XXX **	3 - 66	1 - 20	스위블 케이블: 인라인 (2)
961252-XXX **	3 - 66	1 - 20	스위블 케이블: 직각 (2)
961249-XXX **	3 - 66	1 - 20	연장 케이블

\* 참고: 3 ft. 및 6 ft. (1M 및 2M) 케이블은 301877 연장 케이블과 함께 사용해야 합니다.

\*\* 참고: 20M 길이는 변압기가 필요하지 않습니다.

- (1) 표준 내구성
- (2) 고 내구성

48EA 시리즈	케이블 길이		KO 설명
	피트	미터	
비 EU 케이블 - Matrix 커넥터			
542778-XXX *	3 - 49	1 - 15	공구 케이블 (1)
544056-XXX *	3 - 49	1 - 15	스위블 케이블: 인라인 (1)
544055-XXX *	3 - 49	1 - 15	스위블 케이블: 직각 (1)
542779-XXX	3 - 66	1 - 20	연장 케이블
EU 케이블 - Matrix 커넥터			
-----	-----	-----	-----
-----	-----	-----	-----
-----	-----	-----	-----
-----	-----	-----	-----
-----	-----	-----	-----

\* 참고: 3 ft. 및 6 ft. (1M 및 2M) 케이블은 542779 연장 케이블과 함께 사용해야 합니다.

(1) 표준 내구성

m-Pro-400GC-I 시리즈



공구 케이블

그림은 48EA 직각 너트러너

공구 케이블

5 최초 작동:

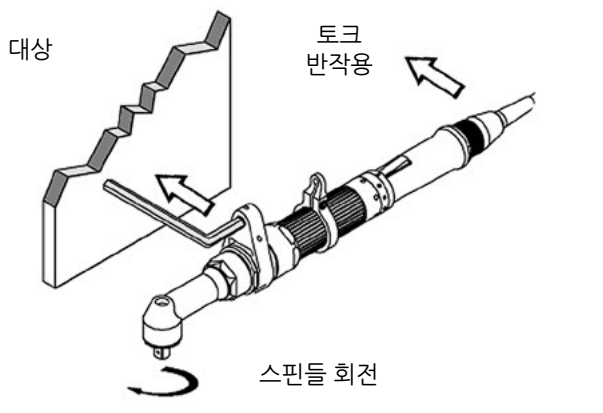
작동 시작

경고



손 압착 위험.

→ 제한된 공간이나 높은 토크(인라인 공구 (4 Nm), 피스톨 그립 공구(10 Nm), 직각 공구(60 Nm))에서는 항상 토크 반작용 바를 사용하십시오.



파스너 런다운 실행

48E 시리즈 너트러너는 Apex Tool Group에 의해 설정되어 있습니다. 파스너 조인트는 유자격자가 너트러너 컨트롤러를 사용해 설정해야 합니다. 최초 작동은 너트러너 컨트롤러 유형과 프로그래밍에 따라 다를 수 있습니다. 너트러너 컨트롤러 프로그래밍 설명서를 참조하십시오.

- 공구 케이블이 공구와 컨트롤러에 안전하게 연결되었는지 점검하십시오.
- 컨트롤러가 켜지고 적절히 프로그램되었는지 점검하십시오 (컨트롤러 설명서 참조).
- 역회전 메커니즘이 올바른 위치에 있는지 점검하십시오.
- 소켓이나 비트를 대상에 놓고 스위치 액추에이터를 눌러 런다운을 시작하십시오.
- 너트러너가 멈추면 스위치 액추에이터를 해제하십시오.
- 대상에서 너트러너를 제거하십시오.

1. 유자격자는 전문적인 교육, 지식 및 경험과 수행할 작업과 관련된 조건과 이해를 기반으로 가능한 위험을 인식하고 적절한 안전 조치를 취할 수 있는 인력을 말합니다. 유자격자는 규정을 준수해야 합니다.

## 유지보수

공구와 공기 공급 장치의 모든 단계를 정기적으로 검사하는 종합적인 안전 유지보수 프로그램을 실시하십시오.

매일:

- 모든 케이블 및 연결부의 육안 검사
- 모든 외부 공구 부품의 육안 검사
- 공구에서 과도한 진동 또는 비정상적인 소음이 발생하는지 검사

약 100,000회의 런다운:

- 공구 케이블의 손상 또는 마모 여부 검사
- 공구 케이블 연결부 검사
- 출력 스피들의 손상 또는 마모 여부 검사

→ 최대 무부하 속도 검사

약 500,000회의 런다운:

- 공구 분해 및 모든 부품의 손상 또는 마모 여부 검사 및 필요 시 교체
- 앵글 헤드, 기어 및 모터 베어링 세척 및 윤활
- 장착된 경우, 트랜스듀서 재윤활

약 1,000,000회의 런다운:

- 공구 분해 및 모든 부품의 손상 또는 마모 여부 검사 및 필요 시 교체
- 앵글 헤드, 기어 및 모터 베어링 세척 및 윤활
- 장착된 경우, 트랜스듀서 재윤활

## 윤활제

조립 공구의 사용에 따라 윤활 주기가 결정됩니다. 정비 주기마다 충분한 양의 그리스로 모든 기어 장치를 윤활해야 합니다.

부품 번호	패키지	그리스
540395	2 oz. (0.06 kg)	Magnalube-G
513156	16 oz. (0.45 kg)	Magnalube-G
541444	2 oz. (0.06 kg)	Rheolube 363AX-1
541445	16 oz. (0.45 kg)	Rheolube 363AX-1

## 6 문제 해결:

오동작	원인	해결 방법
공구가 작동하지 않습니다.	시작 스위치 고장	→ 시작 스위치를 교체하십시오.
	속도(RPM)가 프로그램되지 않음	→ 모든 활성 단계의 속도를 프로그램하십시오.
	컨트롤러가 공구 사용 대기 중	→ Tool Enable 입력을 활성화하거나, 필요 시 Tool Enable을 비활성화하십시오.
	케이블 고장	→ 케이블을 수리하거나 교체하십시오.
	케이블이나 공구의 핀이 구부러짐	→ 접촉 핀을 펴거나 고장 난 커넥터를 교체하십시오.
	공구 교체 후 자가 인식 데이터가 인식되지 않음	→ 데이터를 다시 수락하십시오(공구 셋업).
공구 케이블 연결 후 음향 신호가 들리지 않습니다.	소프트웨어 이상	→ 컨트롤러 소프트웨어 / 측정 보드 소프트웨어를 점검하십시오.
	케이블 결함	→ 케이블을 교체하십시오.
	공구 결함	→ 공구를 교체하십시오.
공구가 반시계 방향 회전이 활성화된 상태로 작동하지 않습니다.	반시계 방향 회전 시 속도 파라미터가 0 rpm으로 설정됨	→ 반시계 방향 회전 속도를 프로그램하십시오.
공구가 체결 방향으로 작동하지만, 반시계 방향으로 작동하지 않습니다.	반시계 방향 회전 속도가 프로그램되지 않음	→ 반시계 방향 회전 속도를 프로그램하십시오.
	역회전 스위치 고장	→ 시작/역회전 스위치 조립품을 교체하십시오.
	케이블 고장	→ 케이블을 수리하거나 교체하십시오.
공구가 원하는 토크에서 멈추지만 각도 표시가 되지 않습니다.	케이블이나 공구의 핀이 구부러짐	→ 접촉 핀을 펴거나 고장 난 커넥터를 교체하십시오.
	임계 토크가 너무 높음	→ 체결 시퀀스를 수정하거나 임계 토크 값을 낮추십시오.
공구가 영구적으로 멈춥니다.	컨트롤러가 공구를 멈추기 전에 사용자가 시작 스위치를 해제함	→ 전체 시퀀스에 걸쳐 사용자가 시작 스위치를 계속 누르고 있는지 확인하십시오.
	체결 시간이 표준 시간을 10초 초과함	→ 체결 시간을 증가시키십시오.
	공구가 각도 설정 값을 초과함	→ 토크 멈춤 값 및/또는 각도 설정 값이 올바른지 체결 시퀀스를 확인하십시오. 필요 시 조정하십시오. 체결 조인트가 크게 변경되었는지 확인하십시오.
공구가 속도를 변경하지 않습니다.	속도가 모든 단계에서 동일함	→ 모든 단계에서 속도와 스위칭 각도가 올바른지 확인하십시오.
역회전 스위치를 작동했을 때 공구의 LED가 깜빡이기 시작합니다.	기본 파라미터에서 정의된 정상 기능임	→ Blink Lights when Tool in Reverse 확인란을 활성화 또는 비활성화하십시오.
실행 화면 경고: Offset Transducer 1/2 NOK	트랜스듀서가 토크 값 0으로 돌아가지 않음	→ 트랜스듀서가 과부하되어 교체해야 합니다.
	공구 또는 케이블 배선 불량	→ 다른 케이블을 사용해 공구를 점검하십시오. 오프셋 및 보정 값은 Diagnosis 메뉴에서 확인할 수 있습니다.
실행 화면 경고: Tool Offline!	공구가 Tool Settings에서 수락되지 않음	→ Tool List 메뉴에서 공구가 수락되었는지 확인하십시오. 수락되지 않았으면 상태에 Manual acceptance needed이 표시됩니다. Tool Settings 메뉴에서 설정을 수락하기 전에 올바른 줄에 표시해야 합니다.
	케이블이 고장 나서 너트러너 컨트롤러가 공구를 인식하지 못함	→ 케이블을 수리하거나 교체하십시오.
컨트롤러 및 외부 트랜스듀서에 다른 토크가 표시됩니다.	Tool Settings의 토크 보정 계수(Torque Cal.)를 조정해야 합니다.	→ 다음 공식을 이용해 Torque Cal. (Tool Settings)을 조정하십시오. 새 보정 값 = (외부 값 / 공구 값) x 사용된 보정 값
	고객의 각도 작업 장치가 공구에 추가됨. 공구 메모리 업데이트 필요	→ 공구 메모리를 다시 프로그램하십시오.
공구 케이블이 공구 핸들에 맞지 않습니다.	잘못된 케이블, 너트러너 컨트롤러 mPro400GC와 함께 사용 중인 공구가 Air-LB 커넥터를 사용. 커넥터의 크기가 이전에 사용한 Matrix 커넥터와 다름	→ 사용 중인 공구에 맞는 케이블을 사용하십시오.



## 7.1 48E 시리즈 성능 데이터:

48E 시리즈 전류 제어 너트러너 - Air-LB 공구 커넥터 \*

모델 번호	공구 범위				최대 속도 (rpm)	길이		무게		헤드 높이		측면에서 중심까지		출력 드라이브 크기
	최대 토크		최소 토크			in	mm	lbs	kg	in	mm	in	mm	
	lb <sub>r</sub> ×ft	Nm	lb <sub>r</sub> ×ft	Nm										
<b>48EA 시리즈 직각 너트러너 **</b>														
48EAE15AL3	11.1	15	2.2	3	2855	15.7	398	3.8	1.7	1.6	41	0.59	15	3/8"
48EAE28AL3	20.7	28	4.4	6	1300	16.2	410	4.1	1.9	1.6	41	0.59	15	3/8"
48EAE41AM3	30.2	41	6.6	9	1090	17.3	440	4.3	2.0	1.9	48	0.75	19	3/8"
48EAE58AM3	42.8	58	8.9	12	770	17.3	440	4.3	2.0	1.9	48	0.75	19	3/8"
48EAE58AM4	42.8	58	8.9	12	770	17.3	440	4.3	2.0	1.9	48	0.75	19	1/2"
48EAE90AH4	64.2	87	13.3	18	515	18.5	470	6.6	3.0	2.3	58	0.81	21	1/2"
48EAE105AH4	76.7	104	15.5	21	340	18.5	470	6.6	3.0	2.3	58	0.81	21	1/2"
48EAE135MH4	98.1	133	19.9	27	265	19.1	485	7.3	3.3	2.4	61	0.94	24	1/2"
48EAE175AX6	129.8	176	26.6	36	190	21.6	549	10.2	4.6	2.7	69	1.06	27	3/4"
48EAE230AX6	169.6	230	33.9	46	145	21.6	549	10.2	4.6	2.7	69	1.06	27	3/4"
<b>48EA 시리즈 직각 플로팅 스펀들 너트러너</b>														
48EAE37S231	27.2	37	5.9	8	1225	18.7	474	5.4	2.4	2.7	69	0.67	17	3/8"
48EAE52S231	38.3	52	8.1	11	860	18.7	474	5.4	2.4	2.7	69	0.67	17	3/8"
48EAE53S341	39.1	53	8.1	11	850	20.0	509	6.0	2.7	3.3	83	0.87	22	1/2"
48EAE75S341	55.3	75	11.0	15	600	20.0	509	6.0	2.7	3.3	83	0.87	22	1/2"
48EAE95S341	70.0	95	14.7	20	460	20.5	521	7.4	3.4	3.3	83	0.87	22	1/2"
48EAE110S341	81.1	110	16.9	23	400	20.5	521	7.4	3.4	3.3	83	0.87	22	1/2"
48EAE135S461	99.5	135	20.6	28	270	20.6	522	8.9	4.0	3.7	94	1.06	27	3/4"
48EAE230S461	169.6	230	34.6	47	150	22.2	563	10.6	4.8	3.7	94	1.06	27	3/4"
<b>48EA 시리즈 직각 플러쉬 소켓 너트러너</b>														
48EAE37F2	27.3	37	5.9	8	1225	18.7	474	5.4	2.4	1.7	43	0.67	17	----
48EAE52F2	38.3	52	8.1	11	860	18.7	474	5.4	2.4	1.7	43	0.67	17	----
48EAE53F3	39.0	53	8.1	11	850	20.0	509	6.0	2.7	2.3	59	0.87	22	----
48EAE75F3	55.3	75	11.1	15	600	20.0	509	6.0	2.7	2.3	59	0.87	22	----
48EAE110F3	81.1	110	17.0	23	400	20.5	521	7.4	3.4	2.3	59	0.87	22	----
48EAE135F4	99.5	135	19.9	27	270	20.6	522	8.9	4.0	2.4	61	1.06	27	----
48EAE230F4	172.6	230	34.7	47	150	22.2	563	10.6	4.8	2.4	61	1.06	27	----
<b>48EA 시리즈 직각 너트러너</b>														
48EAE53H	39.8	54	8.1	11	850	20.2	512	7.9	3.6	2.4	61	1.06	27	----
48EAE75H	56.8	77	11.1	15	600	20.2	512	7.9	3.6	2.4	61	1.06	27	----
48EAE110H	85.6	115	17.0	23	400	20.2	512	8.9	4.0	2.4	61	1.06	27	----
48EAE135H	101.8	135	20.7	28	270	20.6	522	8.9	4.0	2.4	61	1.06	27	----
48EAE230H	169.6	230	34.7	47	150	22.2	563	10.6	4.8	2.4	61	1.06	27	----
<b>48EC 시리즈 인라인 너트러너</b>														
48ECE30C1	22.1	30	7.7	10	860	20.5	521	5.5	2.3	1.7	43	0.63	16	----
48ECE30C3	22.1	30	7.7	10	860	20.5	521	5.5	2.3	1.6	40	0.63	16	----
<b>48EP 시리즈 피스톨 그립 너트러너 **</b>														
48EPE12Q	8.9	12	2.2	3	4000	8.3	211	2.7	1.2	----	----	0.84	21	1/4" Hex
48EPE12D2	8.9	12	2.2	3	4000	7.7	196	2.7	1.2	----	----	0.84	21	1/4"
48EPE25D3	18.4	25	4.4	6	1820	8.4	213	2.9	1.3	----	----	0.84	21	3/8"
48EPE36D3	26.6	36	5.9	8	1290	8.4	213	2.9	1.3	----	----	0.84	21	3/8"
48EPE48D3	35.4	48	7.4	10	985	8.6	218	3.0	1.4	----	----	0.84	21	3/8"
48EPE65D4	47.9	65	9.6	13	750	10.8	274	5.0	2.3	----	----	0.91	23	1/2"
48EPE90D4	66.4	90	14.0	19	510	11.3	287	5.3	2.4	----	----	0.91	23	1/2"
48EPE125D4	92.2	125	19.2	26	360	11.3	287	5.3	2.4	----	----	0.91	23	1/2"
48EPE150D4	110.6	150	22.9	31	240	11.3	287	5.3	2.4	----	----	0.91	23	1/2"
48EPE200D6	144.0	195	92.0	125	180	16.2	410	9.5	4.3	----	----	1.13	29	3/4"
48EPE500D6	368.0	500	225.0	300	53	16.2	410	9.8	4.5	----	----	1.13	29	3/4"
48EPE1000D8	740.0	1000	370.0	500	33	19.2	486	16.2	7.3	----	----	1.50	38	1"

\* 참고: Matrix 공구 커넥터 - 사양은 동일하다

\*\* 참고: 그림은 핀 리테이너 모델입니다. 볼 리테이너 모델(종단 B) 사양도 동일합니다.

### 7.1 48E 시리즈 성능 데이터 (계속되는):

48E 시리즈 전류 제어 너트러너 - Air-LB 공구 커넥터 \*

모델 번호	공구 범위				최대 속도 (rpm)	길이		무게		헤드 높이		측면에서 중심까지		출력 드라이브 크기
	최대 토크		최소 토크			in	mm	lbs	kg	in	mm	in	mm	
	lb,×ft	Nm	lb,×ft	Nm										
<b>48ES 시리즈 인라인 너트러너 **</b>														
48ESE12Q	8.9	12	2.2	3	4000	13.5	343	3.0	1.4	---	---	0.91	23	1/4" Hex
48ESE12D2	8.9	12	2.2	3	4000	13.0	330	3.0	1.4	---	---	0.91	23	1/4"
48ESE25D3	18.4	25	4.4	6	1820	13.6	345	3.2	1.5	---	---	0.91	23	3/8"
48ESE36D3	26.6	36	5.9	8	1290	13.6	345	3.2	1.5	---	---	0.91	23	3/8"
48ESE48D3	35.4	48	7.4	10	985	13.8	351	3.3	1.5	---	---	0.91	23	3/8"
48ESE65D4	47.9	65	9.6	13	750	16.6	420	5.3	2.4	---	---	1.13	29	1/2"
48ESE90D4	66.4	90	14.0	19	510	17.1	435	5.6	2.5	---	---	1.13	29	1/2"
48ESE125D4	92.2	125	19.2	26	360	17.1	435	5.6	2.5	---	---	1.13	29	1/2"
48ESE150D4	110.6	150	22.9	31	240	17.1	435	5.6	2.5	---	---	1.13	29	1/2"
<b>48ES 시리즈 인라인 플로팅 스펀들 너트러너</b>														
48ESE12ZA	8.9	12	2.2	3	4000	16.7	425	3.4	1.5	---	---	0.91	23	1/4"
48ESE271ZB	19.9	27	5.9	8	1820	22.0	559	5.8	2.6	---	---	0.92	23	3/8"
48ESE361ZB	26.6	36	5.2	7	1290	22.0	559	5.8	2.6	---	---	0.92	23	3/8"
48ESE602ZB	42.0	57	8.1	11	855	24.4	620	8.4	3.8	---	---	1.10	28	1/2"
48ESE702ZB	50.2	68	10.3	14	570	24.4	620	8.4	3.8	---	---	1.10	28	1/2"
48ESE802ZB	60.5	82	12.5	17	450	26.7	678	9.6	4.4	---	---	1.10	28	1/2"
48ESE1152ZB	84.8	115	18.4	25	320	26.7	678	9.6	4.4	---	---	1.10	28	1/2"
48ESE1502ZB	110.6	150	22.9	31	245	26.7	678	9.6	4.4	---	---	1.10	28	1/2"
48ESE1653ZB	121.7	165	24.3	33	220	28.6	726	14.6	6.6	---	---	1.57	40	3/4"
48ESE2503ZB	182.9	548	36.8	50	145	28.6	726	14.6	6.6	---	---	1.57	40	3/4"
<b>48ET 시리즈 인라인 너트러너</b>														
48ETE20T2	14.8	20	7.4	10	1425	16.9	430	4.4	2.0	---	---	0.78	20	1/2"
48ETE30T3	22.1	30	11.1	15	1030	16.6	422	4.5	2.0	---	---	0.83	21	3/4"
48ETE40T4	29.5	40	14.8	20	770	17.9	454	5.3	2.3	---	---	1.18	30	1-1/16"

\* 참고: Matrix 공구 커넥터 - 사양은 동일하다

\*\* 참고: 그림은 핀 리테이너 모델입니다. 볼 리테이너 모델(종단 B) 사양도 동일합니다.

## 7.2 48E 시리즈 공구 메모리:

48E 시리즈 전류 제어 너트러너 - Air-LB 공구 커넥터 \*

모델 번호	최대 속도 [RPM]	최대 토크 [Nm]	토크 교정 [Nm]	트랜스 듀서 유형	각도 교정 [PPD]	정적 전류 제어 [Nm/A]
<b>48EA 시리즈 직각 너트러너 **</b>						
48EAE15AL3	2855	15	17.9794	542846-12	29.8662	0.6929
48EAE28AL3	1300	28	42.8072	542846-31	65.6023	1.4458
48EAE41AM3	1090	41	50.9609	542846-31	78.0980	1.7212
48EAE58AM3	770	58	77.2838	542846-48	110.2015	2.4287
48EAE58AM4	770	58	77.2838	542846-48	110.2015	2.4287
48EAE90AH4	515	87	158.3540	542846-100	165.6771	3.6514
48EAE105AH4	340	104	156.6510	542846-100	248.0254	5.4662
48EAE135MH4	265	133	199.7300	542846-100	316.2324	6.9694
48EAE175AX6	190	176	231.2227	542846-40	441.5931	9.2456
48EAE230AX6	145	230	228.7037	542846-40	575.9910	12.0595
<b>48EA 시리즈 직각 플로팅 스피들 너트러너</b>						
48EAE37S231	1225	37	45.8648	542846-31	70.2893	1.5491
48EAE52S231	860	52	69.5554	542846-48	99.1829	2.1859
48EAE53S341	850	53	65.5212	542846-31	100.4132	2.2130
48EAE75S341	600	75	99.3649	542846-48	141.6898	3.1226
48EAE95S341	460	95	98.2031	542846-48	185.5462	4.0892
48EAE110S341	400	110	203.5980	542846-100	213.0167	4.6946
48EAE135S461	270	135	201.4084	542846-100	318.8948	7.0280
48EAE230S461	150	230	297.2863	542846-40	567.7714	11.8873
<b>48EA 시리즈 직각 플러쉬 소켓 너트러너</b>						
48EAE37F2	1225	37	45.8648	542846-31	70.2893	1.5491
48EAE52F2	860	52	69.5554	542846-48	99.1829	2.1859
48EAE53F3	850	53	65.5212	542846-31	100.4132	2.2130
48EAE75F3	600	75	99.3649	542846-48	141.6898	3.1226
48EAE110F3	400	110	203.5980	542846-100	213.0167	4.6946
48EAE135F4	270	135	201.4084	542846-100	318.8948	7.0280
48EAE230F4	150	230	297.2863	542846-40	567.7714	11.8873
<b>48EA 시리즈 직각 너트러너</b>						
48EAE53H	850	54	65.5212	542846-31	100.4132	2.2130
48EAE75H	600	77	99.3649	542846-48	141.6898	3.1226
48EAE110H	400	115	203.5980	542846-100	213.0167	4.6946
48EAE135H	270	135	201.4084	542846-100	318.8948	7.0280
48EAE230H	150	230	297.2863	542846-40	567.7714	11.8873
<b>48EC 시리즈 인라인 너트러너</b>						
48ECE30C1	860	30	49.1424	542846-48	99.1829	1.5444
48ECE30C3	860	30	49.1424	542846-48	99.1829	1.5444
<b>48EP 시리즈 피스톨 그립 너트러너 **</b>						
48EPE12Q	4000	12	13.9592	542846-12	21.3330	0.5379
48EPE12D2	4000	12	13.9592	542846-12	21.3330	0.5379
48EPE25D3	1820	25	33.2354	542846-31	46.8588	1.1225
48EPE36D3	1290	36	37.8018	542846-36	66.1209	1.5840
48EPE48D3	985	48	49.8132	542846-48	86.5869	2.0742
48EPE65D4	750	65	70.3865	542846-12	113.2308	2.7124
48EPE90D4	510	90	111.9428	542846-31	166.1383	3.7809
48EPE125D4	360	125	127.3235	542846-36	234.4323	5.3350
48EPE150D4	240	150	190.6085	542846-36	350.9548	7.9868
48EPE200D6	178	200	282.9741	542846.12	479.1795	10.9048
48EPE500D6	53	500	903.0329	542846-12	1609.6500	34.7997
48EPE1000D8	33	1000	1449.6660	542846-12	2584.0198	55.8650

\* 참고: Matrix 공구 커넥터 - 사양은 동일하다

\*\* 참고: 그림은 핀 리테이너 모델입니다. 볼 리테이너 모델(중단 B) 사양도 동일합니다.

## 7.2 48E 시리즈 공구 메모리 (계속되는):

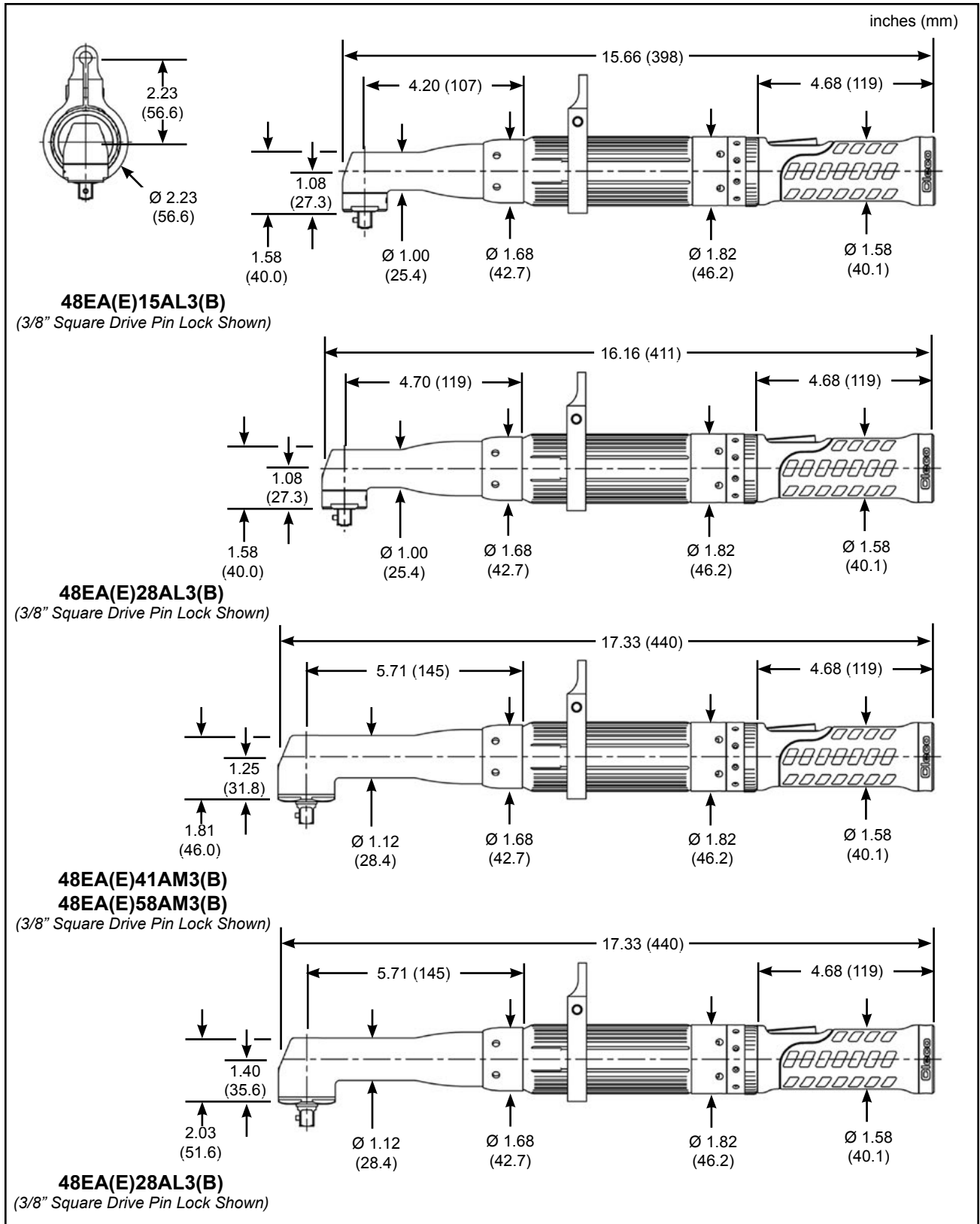
48E 시리즈 전류 제어 너트러너 - Air-LB 공구 커넥터 \*

모델 번호	최대 속도 [RPM]	최대 토크 [Nm]	토크 교정 [Nm]	트랜스 듀서 유형	각도 교정 [PPD]	정적 전류 제어 [Nm/A]
<b>48ES 시리즈 인라인 너트러너 **</b>						
48ESE12Q	4000	12	13.9592	542846-12	21.3330	0.5379
48ESE12D2	4000	12	13.9592	542846-12	21.3330	0.5379
48ESE25D3	1820	25	33.2354	542846-31	46.8588	1.1225
48ESE36D3	1290	36	37.8018	542846-36	66.1209	1.5840
48ESE48D3	985	48	49.8132	542846-48	86.5869	2.0742
48ESE65D4	750	65	70.3865	542846-12	113.2308	2.7124
48ESE90D4	510	90	111.9428	542846-31	166.1383	3.7809
48ESE125D4	360	125	127.3235	542846-36	234.4323	5.3350
48ESE150D4	240	150	190.6085	542846-36	350.9548	7.9868
<b>48ES 시리즈 인라인 플로팅 스피들 너트러너</b>						
48ESE12ZA	4000	12	13.9592	542846-12	21.3333	0.5379
48ESE271ZB	1820	27	33.2354	542846-31	46.8595	1.1225
48ESE361ZB	1290	36	37.8018	542846-36	66.1219	1.5840
48ESE602ZB	855	57	103.2743	542846-100	99.4078	2.3813
48ESE702ZB	570	68	102.1637	542846-100	148.8176	3.5649
48ESE802ZB	450	82	153.7513	542846-40	188.3146	4.2855
48ESE1152ZB	320	115	150.7974	542846-40	264.9600	6.0298
48ESE1502ZB	245	150	149.1546	542846-40	345.6000	7.8649
48ESE1653ZB	220	165	376.0907	542846-100	381.0632	8.6720
48ESE2503ZB	145	548	372.0461	542846-100	570.4674	12.9823
<b>48ET 시리즈 인라인 너트러너</b>						
48ETE20T2	1425	20	35.9914	542846-17	59.7333	0.9790
48ETE30T3	1030	30	49.8343	542846-17	82.7077	1.3556
48ETE40T4	770	40	66.4457	542846-17	110.2769	1.8075

\* 참고: Matrix 공구 커넥터 - 사양은 동일하다

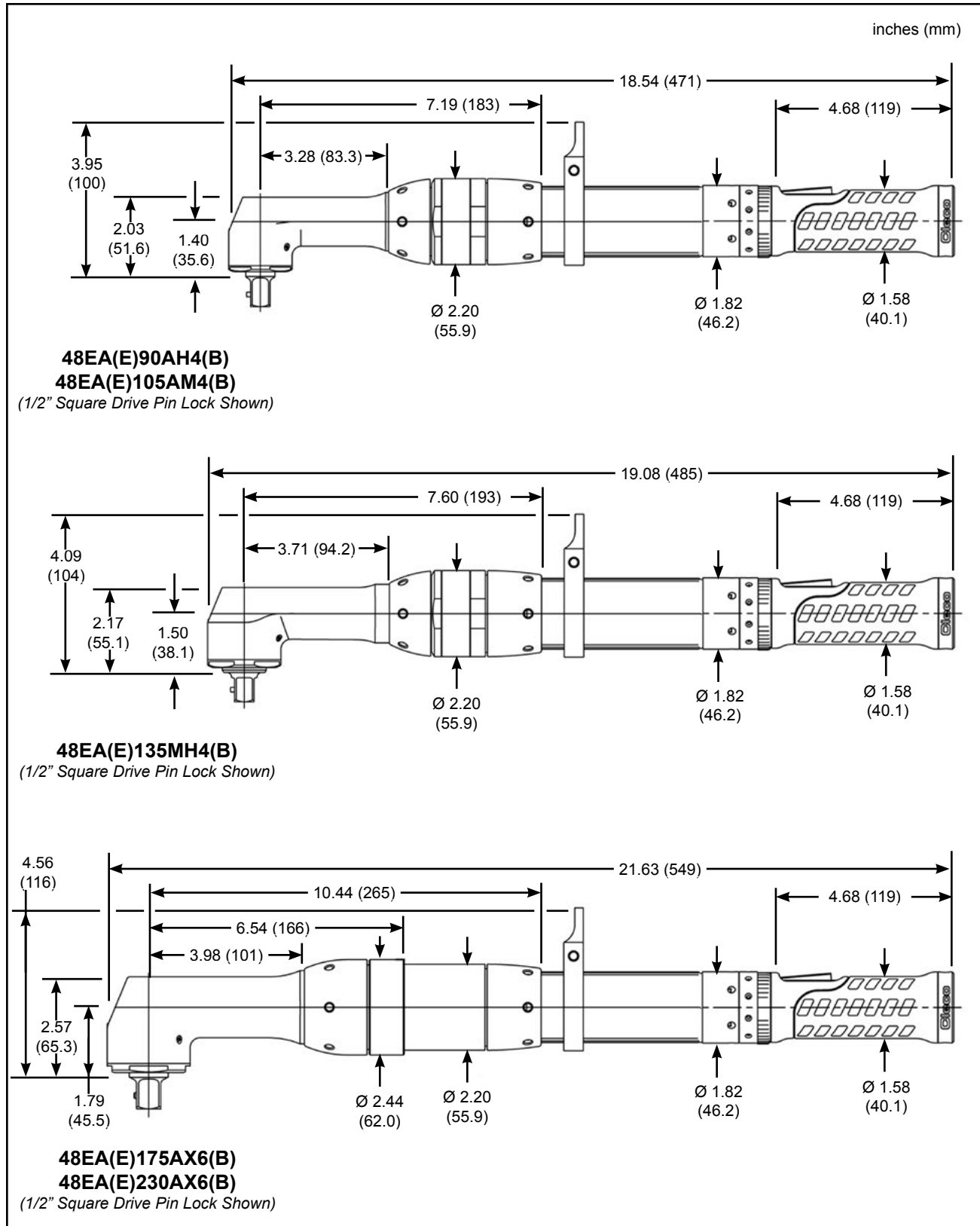
\*\* 참고: 그림은 핀 리테이너 모델입니다. 볼 리테이너 모델(종단 B) 사양도 동일합니다.

**8.1 48EA(E)(--)/AL3 / AM3 / AM4 dimensional data**

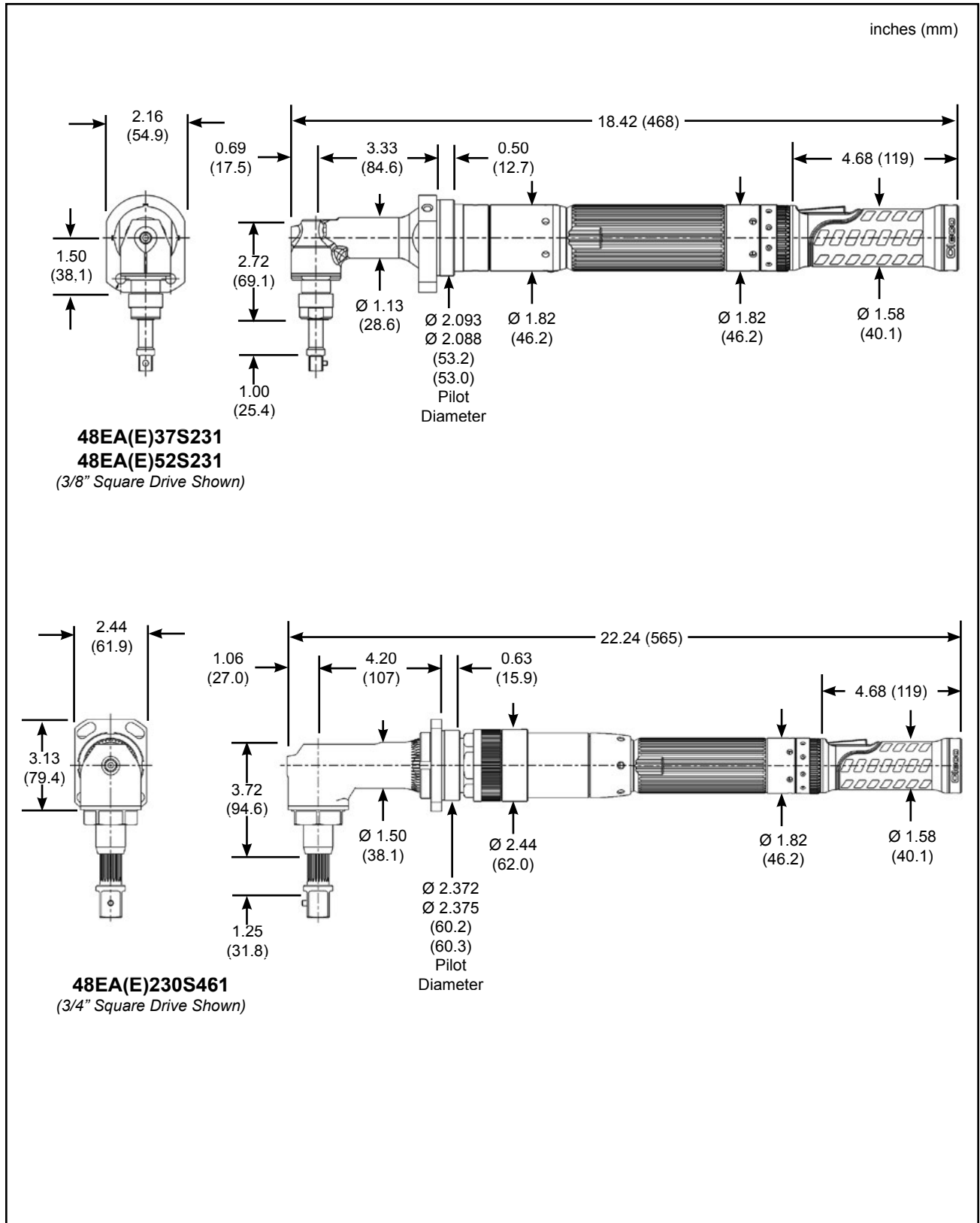




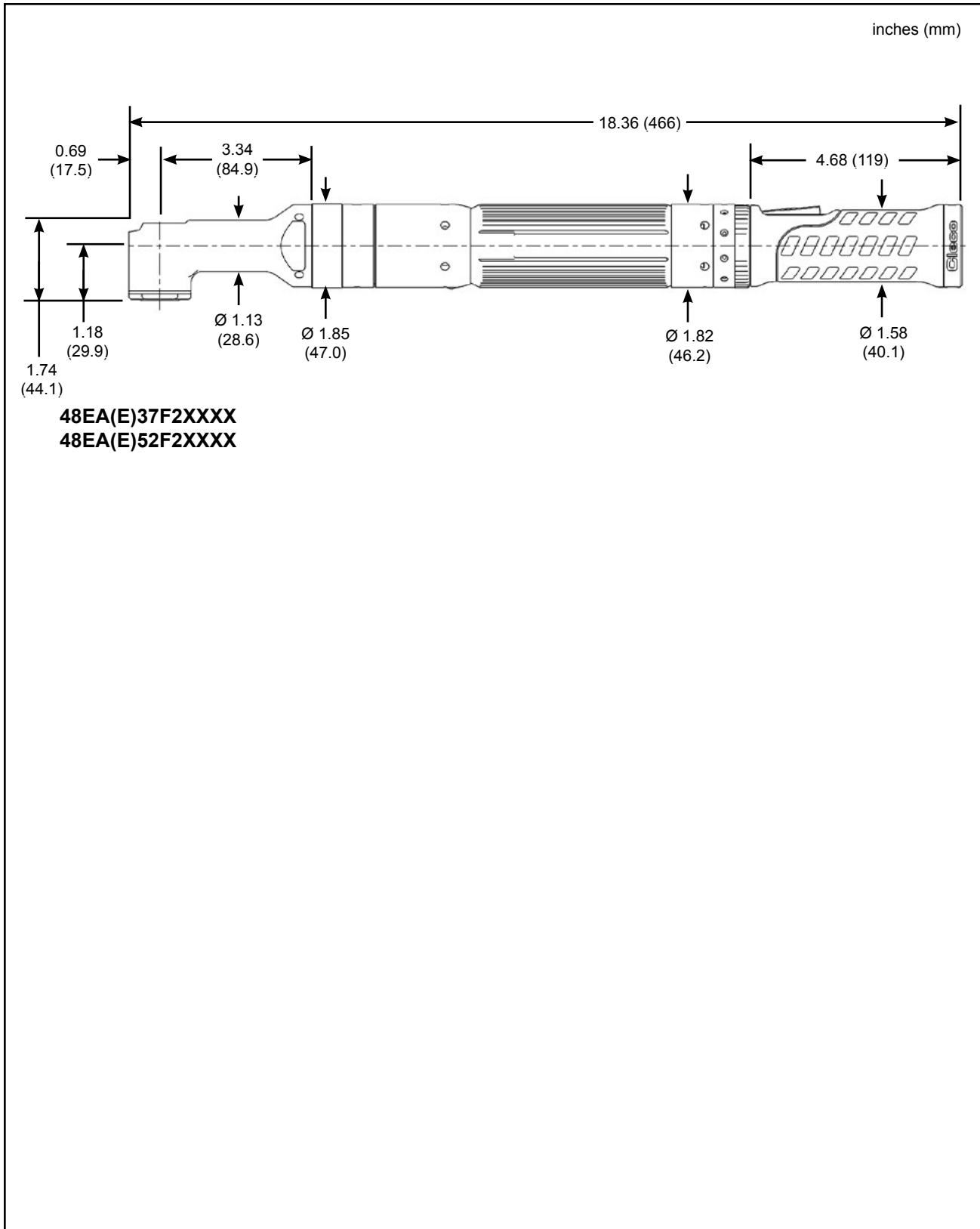
**8.2 48EA(E)(-- )AH4 / MH4 / AX6 dimensional data:**



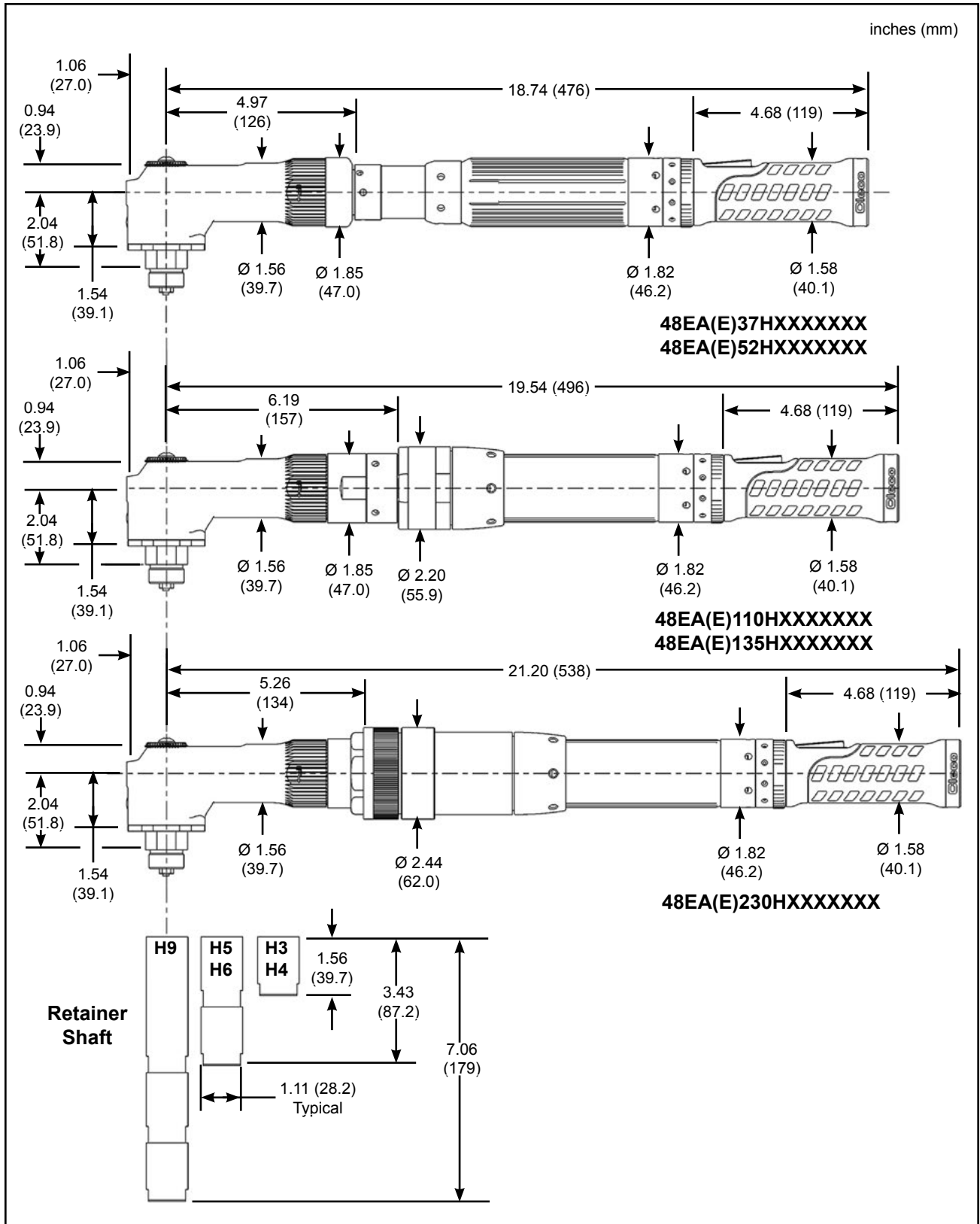
**8.3 48EA(E)(---)S231 / S461 dimensional data:**



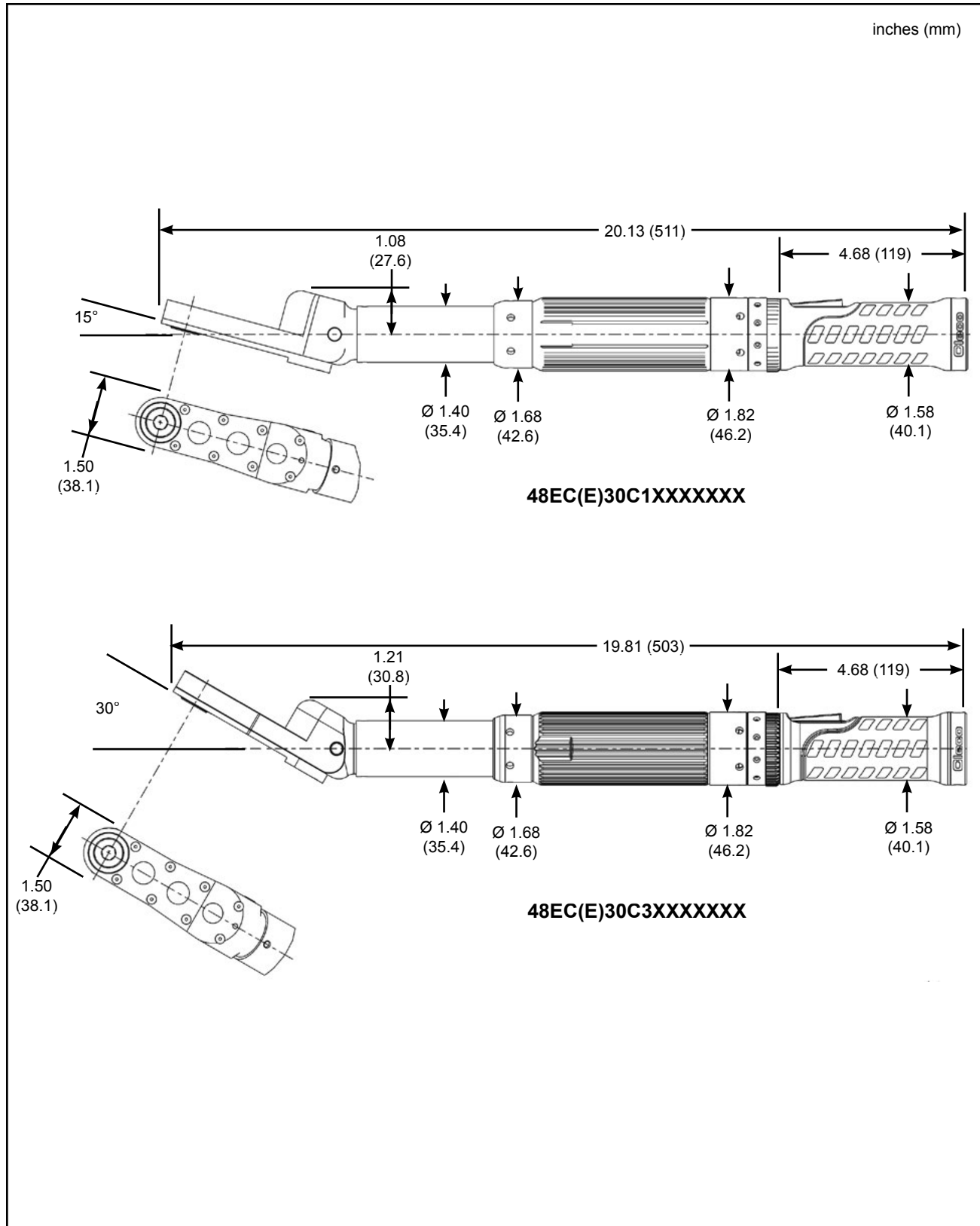
### 8.4 48EA(E)(--F2XXXX dimensional data:



**8.5 48EA(E)(---)HXXXXXX dimensional data:**

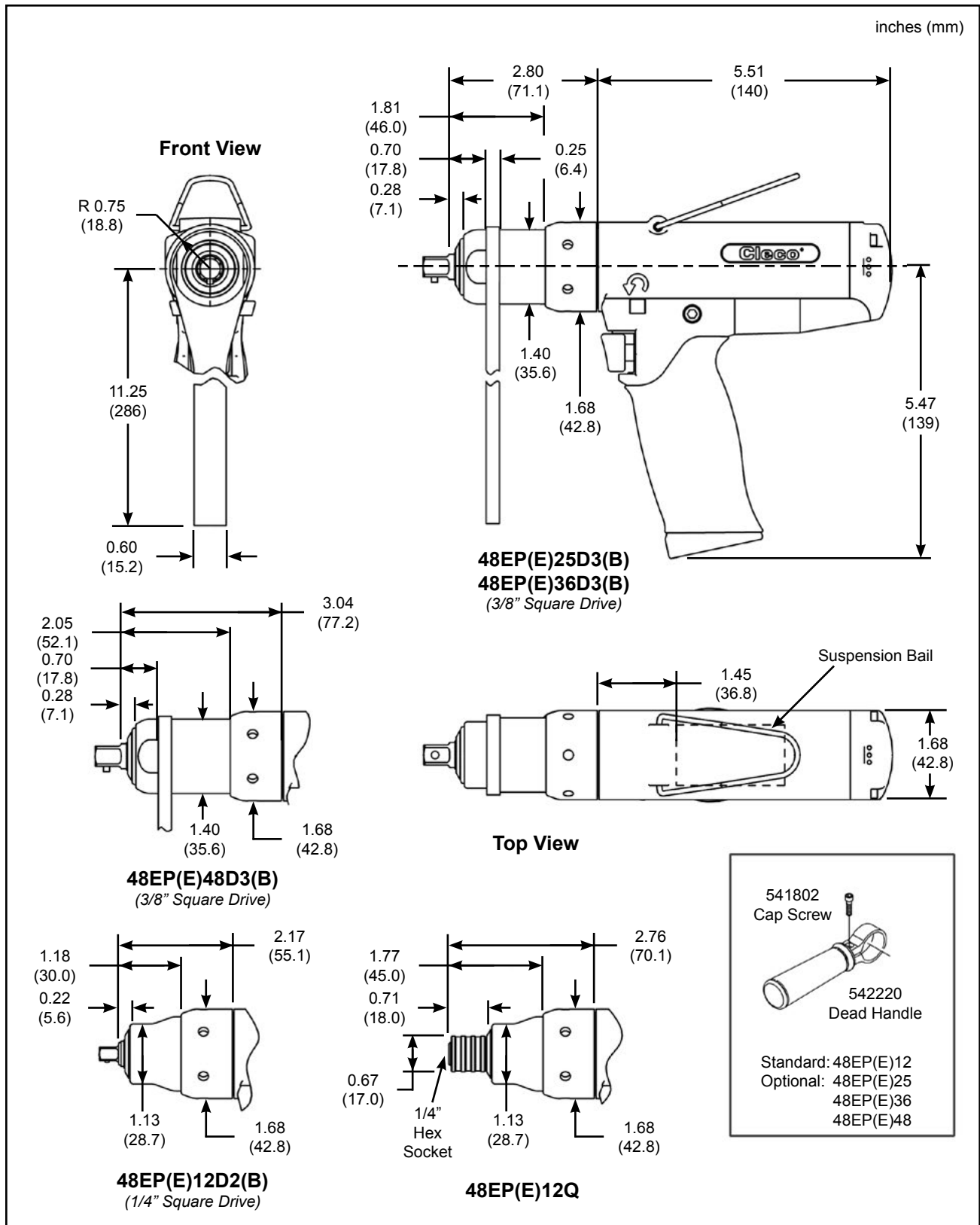


**8.6 48EC(E)30C(-)XXXXXXX dimensional data:**

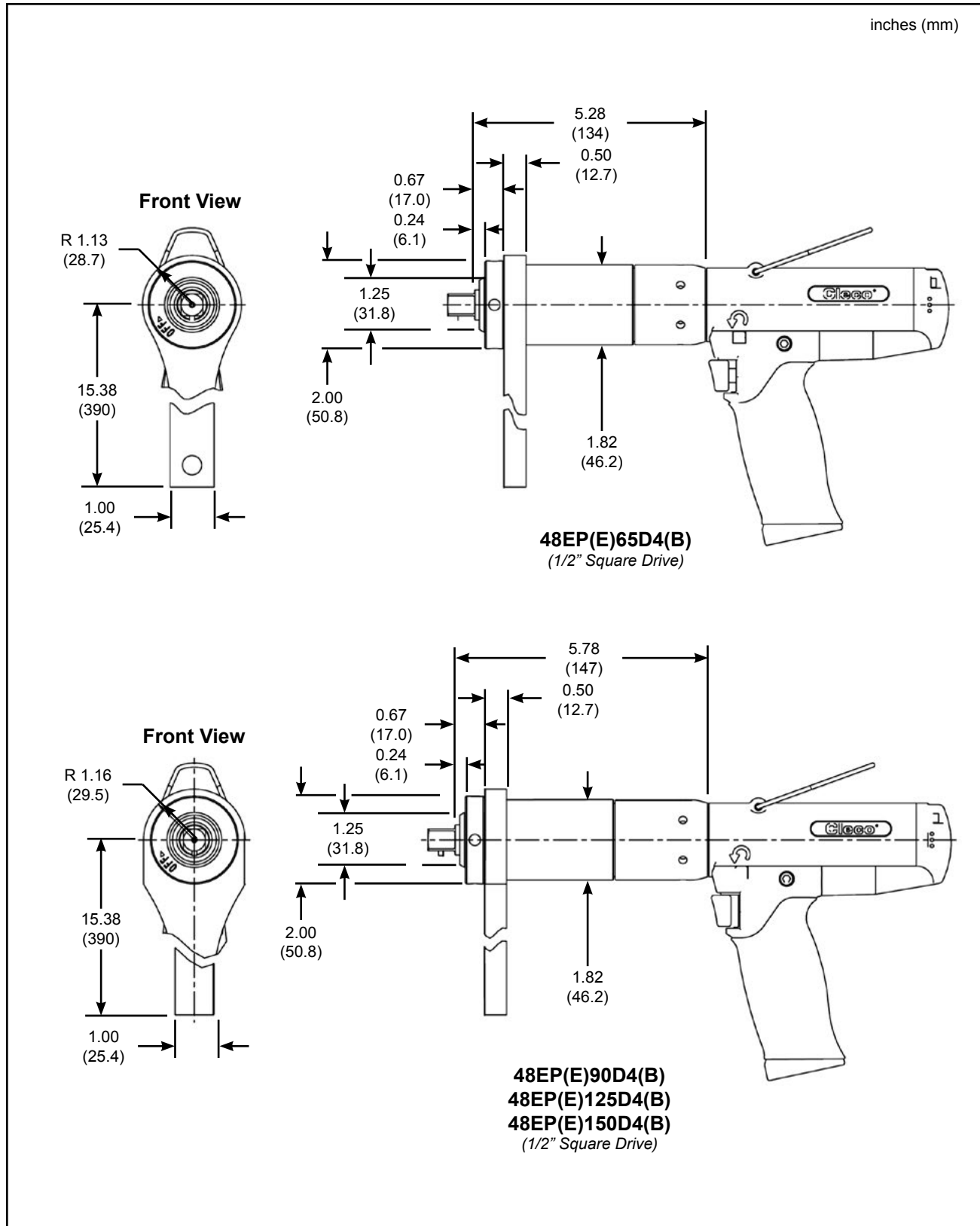




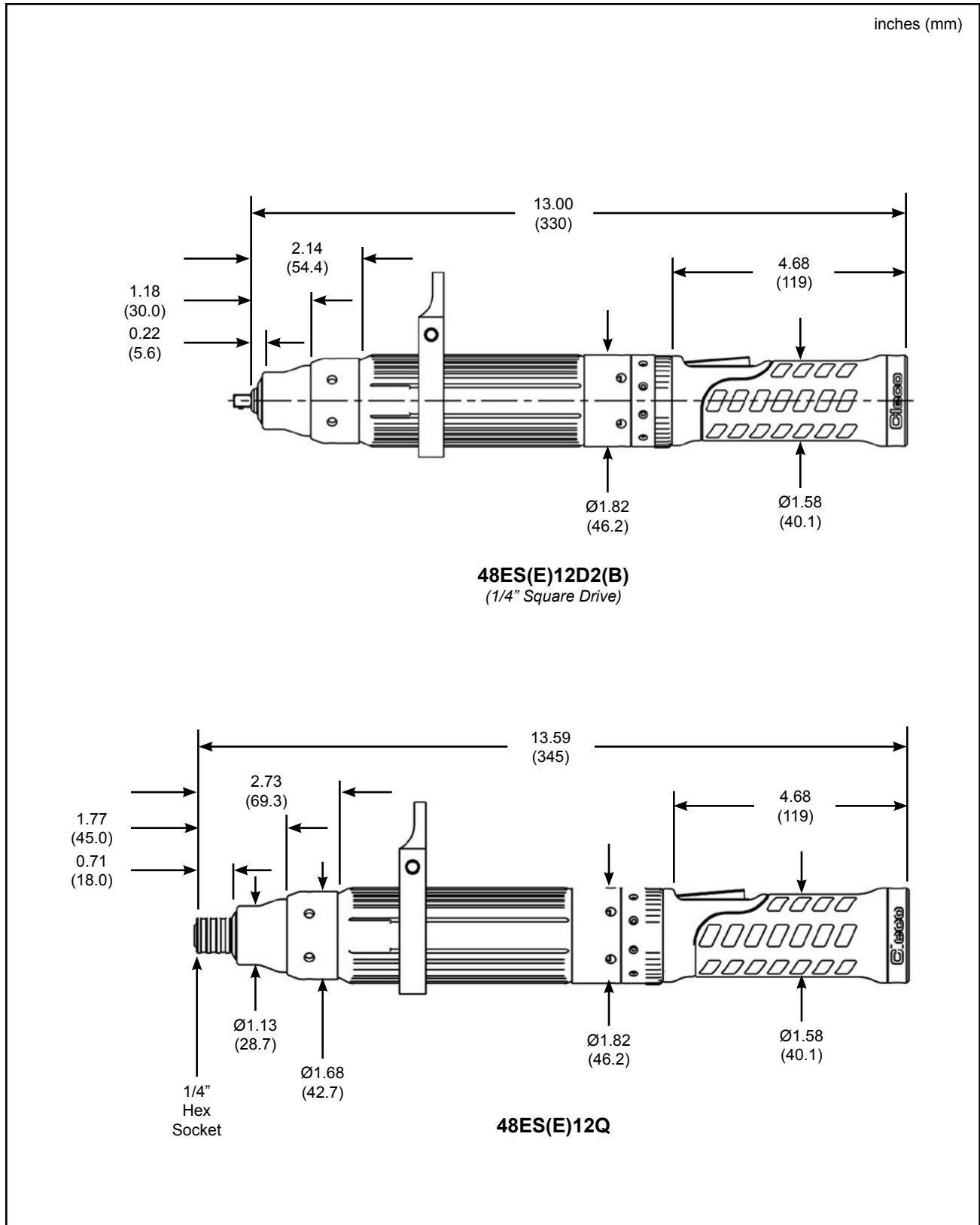
**8.7 48EP(E)(--)/Q / D2 / D3 dimensional data:**



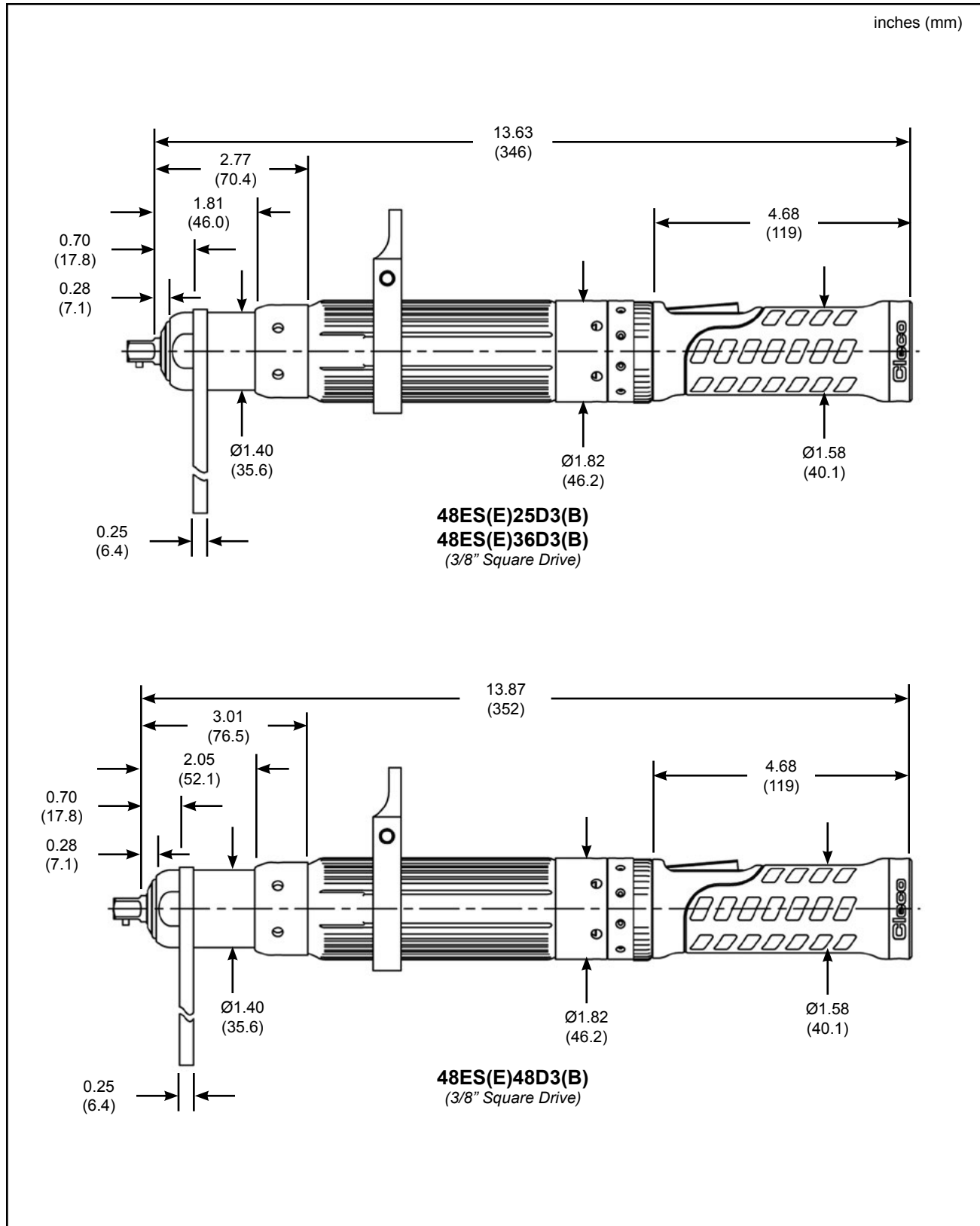
**8.8 48EP(E)(---)D4 dimensional data:**



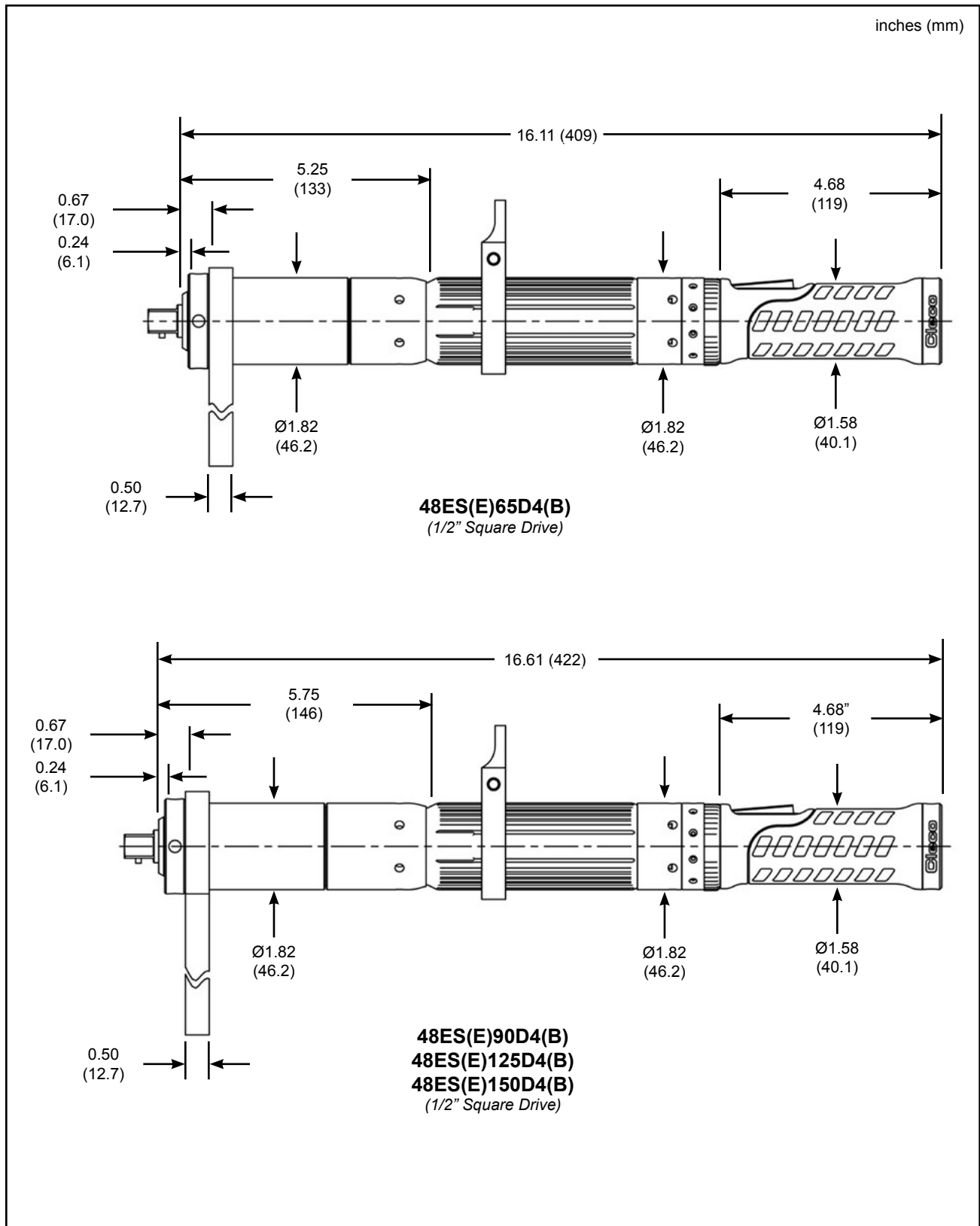
**8.9 48ES(E)12D2 / Q dimensional data:**



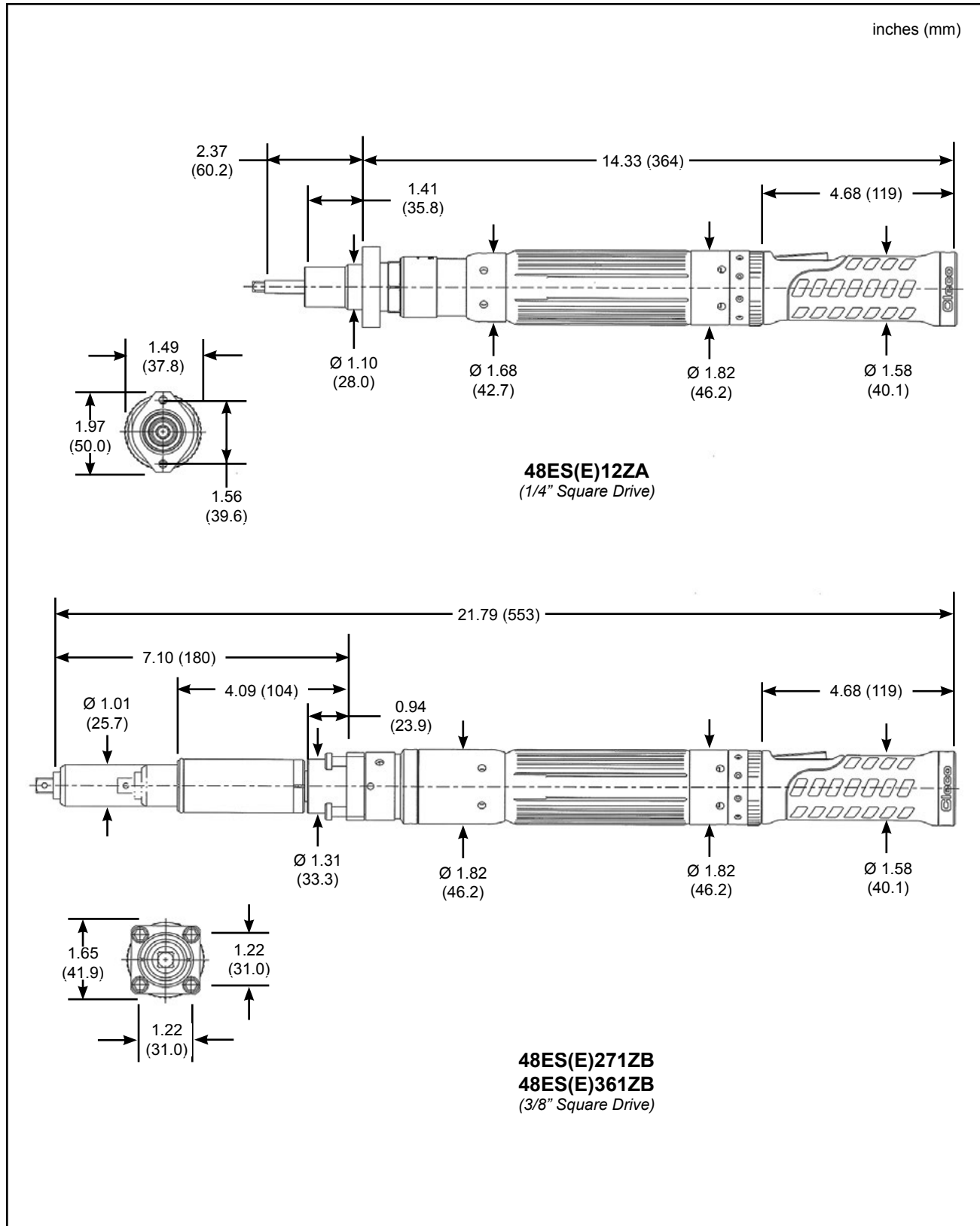
### 8.10 48ES(E)(--D3 dimensional data:



**8.11 48ES(E)(---)D4 dimensional data:**

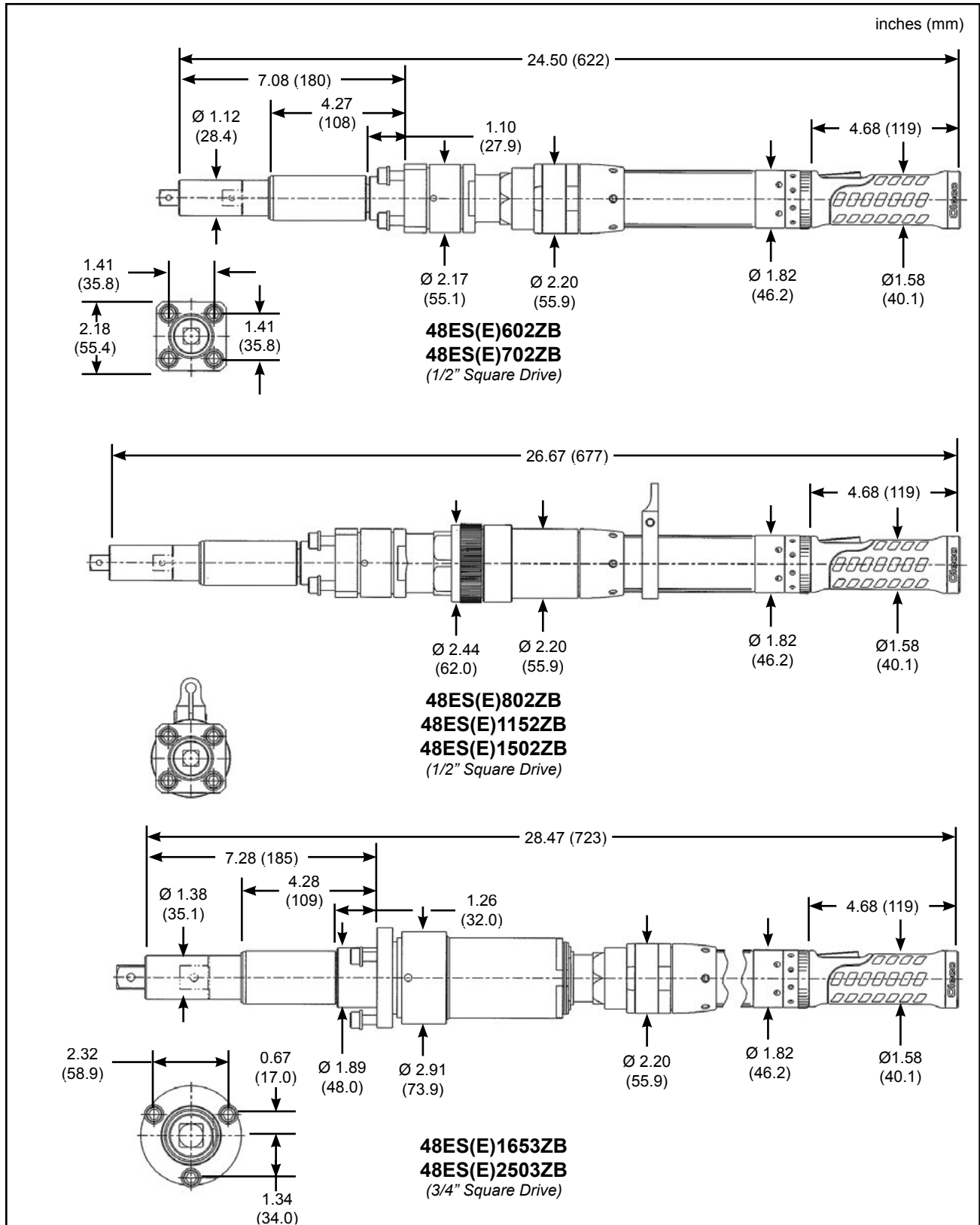


**8.12 48ES(E)(---)ZA / ZB dimensional data:**

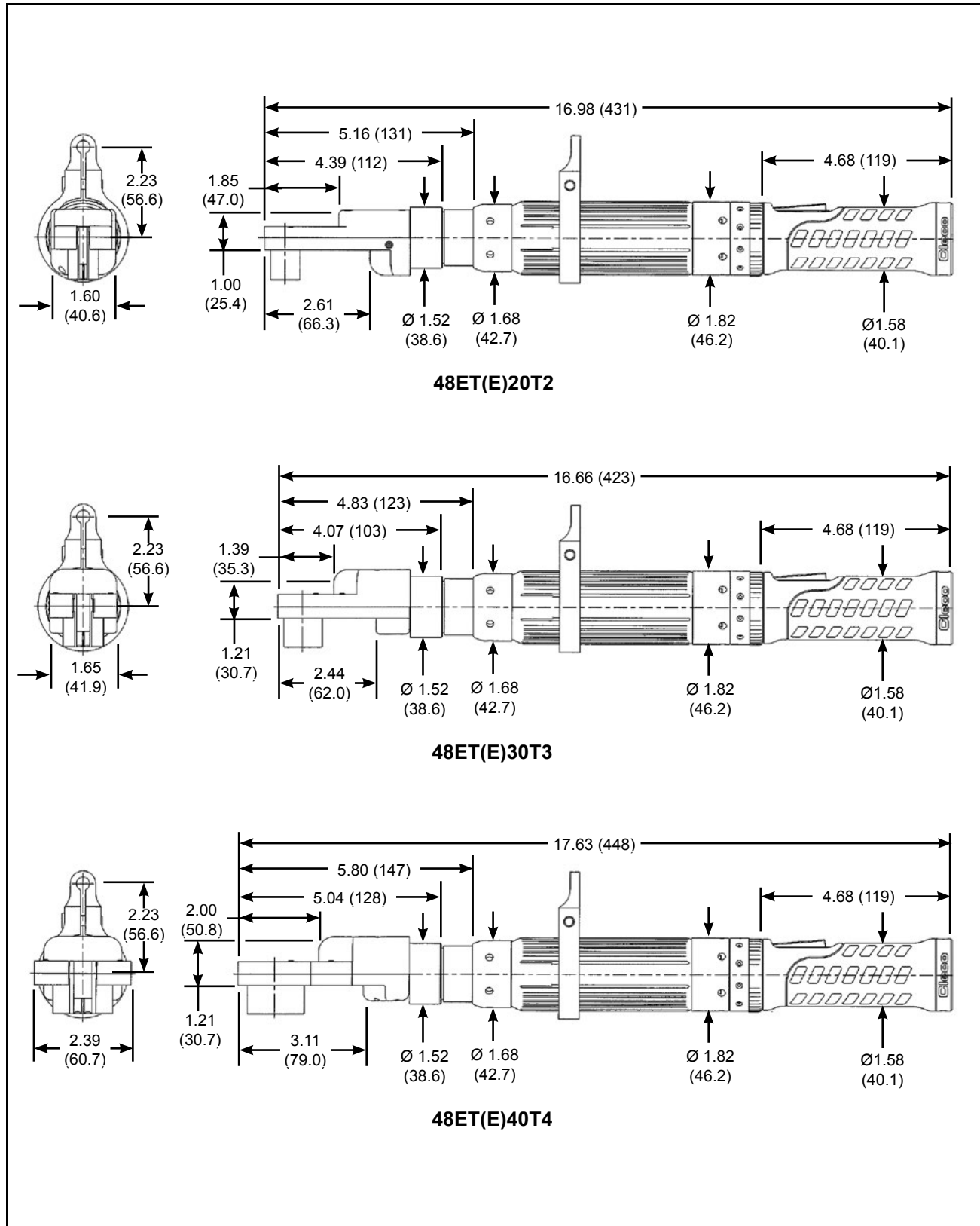




**8.13 48ES(E)(---)ZB dimensional data:**



**8.14 48ET(E)(--)/T2 / T3 / T4 dimensional data:**





# POWER TOOLS SALES & SERVICE CENTERS

Please note that all locations may not service all products.

Contact the nearest Cleco® Sales & Service Center for the appropriate facility to handle your service requirements.

 Sales Center

 Service Center

## NORTH AMERICA | SOUTH AMERICA

### Detroit, Michigan

Apex Tool Group  
2630 Superior Court  
Auburn Hills, MI 48236  
Phone: +1 (248) 393-5644  
Fax: +1 (248) 391-6295

### Lexington, South Carolina

Apex Tool Group  
670 Industrial Drive  
Lexington, SC 29072  
Phone: +1 (800) 845-5629  
Phone: +1 (919) 387-0099  
Fax: +1 (803) 358-7681

### Mexico

Apex Tool Group  
Vialidad El Pueblito #103  
Parque Industrial Querétaro  
Querétaro, QRO 76220  
Mexico  
Phone: +52 (442) 211 3800  
Fax: +52 (800) 685 5560

### Brazil

Apex Tool Group  
Av. Liberdade, 4055  
Zona Industrial Iporanga  
Sorocaba, São Paulo  
CEP# 18087-170  
Brazil  
Phone: +55 15 3238 3870  
Fax: +55 15 3238 3938

## EUROPE | MIDDLE EAST | AFRICA

### England

Apex Tool Group GmbH  
C/O Spline Gauges  
Piccadilly, Tamworth  
Staffordshire B78 2ER  
United Kingdom  
Phone: +44 1827 8727 71  
Fax: +44 1827 8741 28

### France

Apex Tool Group SAS  
25 Avenue Maurice Chevalier - ZI  
77330 Ozoir-La-Ferrière  
France  
Phone: +33 1 64 43 22 00  
Fax: +33 1 64 43 17 17

### Germany

Apex Tool Group GmbH  
Industriestraße 1  
73463 Westhausen  
Germany  
Phone: +49 (0) 73 63 81 0  
Fax: +49 (0) 73 63 81 222

### Hungary

Apex Tool Group  
Hungária Kft.  
Platánfa u. 2  
9027 Győr  
Hungary  
Phone: +36 96 66 1383  
Fax: +36 96 66 1135

## ASIA PACIFIC

### Australia

Apex Tool Group  
519 Nurigong Street, Albury  
NSW 2640  
Australia  
Phone: +61 2 6058 0300

### China

Apex Power Tool Trading  
(Shanghai) Co., Ltd.  
2nd Floor, Area C  
177 Bi Bo Road  
Pu Dong New Area, Shanghai  
China 201203 P.R.C.  
Phone: +86 21 60880320  
Fax: +86 21 60880298

### India

Apex Power Tool India  
Private Limited  
Gala No. 1, Plot No. 5  
S. No. 234, 235 & 245  
Indialand Global  
Industrial Park  
Taluka-Mulsi, Phase I  
Hinjawadi, Pune 411057  
Maharashtra, India  
Phone: +91 020 66761111

### Japan

Apex Tool Group Japan  
Korin-Kaikan 5F,  
3-6-23 Shibakoen, Minato-Ku,  
Tokyo 105-0011, JAPAN  
Phone: +81-3-6450-1840  
Fax: +81-3-6450-1841

### Korea

Apex Tool Group Korea  
#1503, Hibrand Living Bldg.,  
215 Yangjae-dong,  
Seocho-gu, Seoul 137-924,  
Korea  
Phone: +82-2-2155-0250  
Fax: +82-2-2155-0252

**Cleco**®  
Production Tools



TM12-1105-LG1

**Apex Tool Group, LLC**

Phone: +1 (800) 845-5629

Phone: +1 (919) 387-0099

Fax: +1 (803) 358-7681

[www.ClecoTools.com](http://www.ClecoTools.com)

[www.ClecoTools.de](http://www.ClecoTools.de)