

**mPro400GCD-M**  
Global Controller Master



Copyright © Apex Tool Group, 2019

No part of this document may be reproduced in any way or in any form, in whole or in part, or in a natural or machine-readable language, or transmitted on electronic, mechanical, optical, or other media, without the express permission of the Apex Tool Group.

### **Disclaimer**

The Apex Tool Group reserves the right to modify, supplement, or improve this document or the product without prior notice.

### **Trademark**

Cleco is a registered trademark of Apex Brands, Inc.

### **Apex Tool Group GmbH**

Industriestraße 1  
73463 Westhausen  
Germany

# Contents

## EN

1	Notes on this Description .....	5
2	Safety .....	5
3	Product description.....	9
4	Technical Specifications .....	9
5	Pin Assignment.....	10
6	Storage Access .....	12
7	Items Delivered .....	12

## DE

1	Zu dieser Beschreibung .....	13
2	Sicherheit .....	13
3	Produktbeschreibung .....	17
4	Technische Daten .....	17
5	Steckerbelegung .....	18
6	Speicherzugänge .....	20
7	Lieferumfang .....	20

## ES

1	Acerca de esta descripción del hardware .....	21
2	Seguridad .....	21
3	Descripción del producto .....	25
4	Especificaciones técnicas .....	25
5	Asignación de enchufes .....	26
6	Acceso a memoria.....	28
7	Volumen de suministro .....	28

FR		
1	À propos de cette description du matériel.....	29
2	Sécurité.....	29
3	Description du produit.....	33
4	Caractéristiques techniques.....	33
5	Disposition des connecteurs.....	34
6	Accès à la mémoire, mémoire portable.....	36
7	Volume de livraison.....	36
PL		
1	Informacje dotyczące tego opisu.....	37
2	Bezpieczeństwo.....	37
3	Opis produktu.....	41
4	Dane techniczne.....	41
5	Rozkład wyprowadzeń.....	42
6	Dostępny do pamięci.....	44
7	Zakres dostawy.....	44
INT		
8	System.....	45
9	Connections.....	46
10	Dimensions.....	47

# 1 Notes on this Description

The information contained within this document is intended for all individuals responsible for connecting and installing the controller.

Software instructions are provided in separate programming manuals based upon the version installed.

The original language of this document is German.

## Minimum Software Requirements

No.	Description
S168813 V1.8.0	Standard Controller Software
S168677	mProRemote – Interface software between an external computer and controller

## Additional Document References

No.	Document type
P1730E	Reference Handbook Fastening Sequences
P2279SB	Systemhandbook NeoTek
P2361JH	Quick Installation Guide Global Controller
P2280PM	Programming Manual mPro400GCD Standard SW
P3307C	EC Declaration of Conformity mPro400GCD-M

## Important Symbols

<i>Italic</i>	Identifies menu options), input fields, control boxes, options fields or dropdown menus.
>	Denotes the selection of a menu option from a menu, e.g. <i>File &gt; Print</i>
<...>	Denotes switches, pushbuttons or keys of an external keyboard, e.g. <F5>
Courier	Denotes filenames and paths, e.g. <b>setup.exe</b>
•	Denotes lists, level 1
-	Denotes lists, level 2
a)	Denotes options
b)	
→	Denotes results
1. (...)	Denotes action steps in sequence
2. (...)	
▶	Denotes a single action step
Sales & Service Centers	Cleco Production Tools – Sales & Service Centers, see last page.

# 2 Safety

## 2.1 General Requirements

- ▶ Only operate the controller after reading and fully understanding this document. Failure to follow the directions and safety instructions could result in electric shocks, burns and/or serious injuries.
- ▶ Keep this document in a safe place for future reference! These safety instructions must be accessible all personnel programming, operating or repairing the controller.

## 2.2 Intended Use

The controller is a part of the Cleco Production Tools Tightening System and is intended exclusively for industrial use in fastening processes. Only use the controller under the following conditions:

- In accordance with the components listed in the EC Declaration of Conformity.
- Identified environmental conditions; see relevant documentation.
- Appropriate supply voltage; reference respective documentation.
- In EMC Limit Class A (electromagnetic immunity for industrial areas). For the currently observed EMC standards, see the EC Declaration of Conformity.

## 2.3 Predictable Misuse

Do not use the controller:

- In potentially explosive areas.
- In damp locations or outdoors.
- In combination with cutting tools (drills, milling cutters, grinders...).
- In non-industrial applications (eg residential area).
- For fastening applications not mentioned in the declaration of conformity.
- If safety devices are being over-written.

## 2.4 Operator Training

The tightening system may only be put into operation, adjusted and tested by qualified and trained personnel. Personnel must be instructed by qualified employees of Apex Tool Group.

The controller has been preset by Apex Tool Group. Adjustment of the controller to accommodate special requirements may only be carried out by a qualified person<sup>1)</sup>.

Additional information are available in the Programming Manual.

1.) Due to their training, knowledge, experience and understanding of the circumstances involved in this kind of work, suitably qualified personnel are able to identify potential hazards and to initiate appropriate safety measures. Qualified personnel are obliged to comply with regulations.

## 2.5 Personal Protective Equipment (PPE)

- ▶ When working with rotating parts, it is not permitted to wear gloves.  
Recommendation: Freely rotating *u-GUARD* protected fastening tools are available from APEX.
- ▶ Wear close-fitting clothing.
- ▶ Wear safety shoes.
- ▶ If necessary, wear a hairnet.
- ▶ Wear protective goggles, if there is a risk of flying debris or parts being ejected.

## 2.6 Warnings and Notes

Warning notes are identified by a signal word and pictogram:

- Signal word: describes the severity and the probability of the impending danger.
- Pictogram: describes the type of danger.



### Danger

Symbol combined with the word **Danger** indicates a hazard with a **high level of risk** which, if not avoided, will result in death or serious injury.



### Warning

Symbol combined with the word **Warning** indicates a hazard with a **medium level of risk** which, if not avoided, could result in death or serious injury.



### Caution

Symbol combined with the word **Caution** indicates a hazard with a **low level of risk** which, if not avoided, could result in minor or moderate injuries or environmental damage.



### Note

An symbol combined with the word **Note** indicates a potentially harmful situation which, if not avoided, could result in damage to property or the environment.



General notes includes application tips and useful information, but no hazard warnings.

## 2.7 Symbols on the Product

Be sure to understand the meaning of each symbol below prior to installation, operation or maintenance service.



Electrical voltage



CE compliant  
The product corresponds to the prescribed technical requirements in Europe.



Read all instructions.



NRTL TÜV SÜD Mark  
Normative references, Page 9



**WARNING** Disconnect mains before opening controller.

## 2.8 System Relevant Safety Instructions

Follow national, state and local safety and connection standards during installation. The standards take precedence over the information in this section.

- ▶ Do not make any modifications to the controller, protective devices, or accessories without prior written authorization from Apex Tool Group.
- ▶ Do not attempt to open the controller or components of the controller for troubleshooting or other work on the device. In the event of a fault, any intervention can result in serious injury from electric shock.

Operation with the device open may also cause the following:

- An increased amount of emissions: may produce interference with other devices.
- Reduced immunity from interference: may produce faulty results.
- Loss of remaining warranty period.

### Risk Of Injury Due To Electric Shock

The controller and tool can conduct current in the event of a fault. An electric shock can lead to cardiac arrest, cessation of breathing, burns, and serious or fatal injuries.

- ▶ Always turn off the controller before connecting power and tool cables, cleaning or removal from operation.
- ▶ Do not operate the tightening system if the housing, cable or tool are damaged.

### Installation

- ▶ Use an approved hoist to raise controller to desired installation location.
- ▶ Ensure the controller is rigidly mounted and secured (see Quick Installation Guide).
- ▶ Organize cables and lines to avoid damage and tripping hazards.
- ▶ Observe the permitted cable bending radius.
  
- ▶ Do not exceed total length of Tool Cable
  - Primary controller  
mPro400GCD-P(...) max. 45 m
  - Secondary controller  
mPro-400GCD-S(...) max. 30 m
  - When using tool Series 70:
    - Up to 3 m Tool Cable can be used with a maximum of 25 m Extension Cable.
    - Up to 6 m Tool Cable can be used with a maximum of 20 m Extension Cable.
    - Tool cables over 6 m must not be extended.

In the event of a fault, high leakage currents may occur and cause injuries by electric shock.

- ▶ Use an approved power cable.
- ▶ For 115 VAC cables with a larger cross-section, use Order No. 541683-01.

### Prior To Initial Operation

- ▶ Only operate on a grounded power supply (TN system). Operation on an IT system is not permitted.
- ▶ Ensure a standard-compliant PE connection is in place.
- ▶ Prior to initial operation, carry out the protective conductor measurement in accordance with the local regulations (in Germany, DGUV Regulation 3).
- ▶ Do not switch on the controller until all connections have been made correctly.

### Danger Due To Dangerous Movements

Insufficient emergency stop facilities can have life-threatening consequences.

- ▶ The necessity of an emergency stop and its execution is the responsibility of the user and his risk analysis!
- ▶ Provide accessible and effective emergency stop facilities. Unlocking the emergency stop device must not cause an uncontrolled restart of the system!
- ▶ Before switching on the system, check the emergency stop devices for function.

### Operation

- ▶ Immediately power off the controller in the event of unusual noise, heating or vibration from the tool.
- ▶ Disconnect the power cord and have the tightening system checked by qualified personnel and repaired if necessary.
- ▶ Never pull the power cord to remove from an outlet.
- ▶ Protect all cables from heat, oil, sharp edges and moving parts.
- ▶ Replace damaged cables immediately.
- ▶ Ensure tool and plug connections between the controller and tool are clean.
- ▶ Ensure the workstation and surrounding area are clean.
- ▶ Ensure the workstation provides adequate space for the operation being completed.
- ▶ When working with a nutrunner, remain alert at all times. Do not use a nutrunner if you are tired or under the influence of drugs, alcohol or medication. A moment of carelessness when working with a nutrunner may contribute to a life threatening situation.

### Danger Due To Incorrect Torque Measurement

An undetected NOK tightening may contribute to a life-threatening situation.

- ▶ Recalibration (or capability analysis) is essential following incorrect use (crash, mechanical overload...).
- ▶ For Category A Tightenings (VDI 2862) which are critical for safety, activate a redundancy measurement (e.g., current redundancy).
- ▶ Introduce regular monitoring of measuring equipment for associated manufacturing equipment.
- ▶ Only conduct tightening operations with a properly functioning system. If in doubt, contact *Sales & Service Centers*.

### Danger Due To Unexpected Start Of The Motor Or An Expected But Missing Stop

Despite redundant controller parts and monitoring functions, an unexpected start of the machine can occur in very rare cases. Possible reasons may include, but are not limited to: Remote control of diagnostic functions, bit dump in the memory of the controller.

Mechanical hazards such as jars/jolts due to counter torques; risk of injury due to winding up and seizing can result from the tool.

- ▶ Use the tool at the designated grip points.
- ▶ Use the recommended reaction devices. For torques, reference appropriate tool instruction manual.
- ▶ After powering the controller on, wait until the boot cycle is completed, approximately 60 seconds, before powering it down again.

### Use of Secondary controllers

Up to 15 Secondary Controllers can be added to a Primary Controller (mPro400GCD-P). Upon shutting off or in case of a Secondary Controller failure, the TSNET bus communication is interrupted. The communication loss to the Primary Controller has consequences for a Secondary Controller:

- No results are returned to the Primary Controller.
- Additional rundowns are not initiated.
- An in-process rundown is reported with the error message SA (abort by removing the start signal) if the TSNET connection is interrupted during tightening.
- A shut-off signal is no longer received and so a shut-off is only possible
  - via the start button of the tool
  - after reaching the shut-off criterion
  - via a safety shut-off after two seconds

#### WARNING!

During remote-start operation (multiple tool setup) an interruption of TSNET bus leads to a delayed stop of the spindle/tool. This delay is 2 seconds.

### Maintenance

- ▶ The controller is generally maintenance-free.
- ▶ Consider local regulations for maintenance and servicing for all operating phases of the tightening system.

### Cleaning

- ▶ Only clean the exterior of the tool using a dry or slightly damp cloth.
- ▶ Do not immerse the controller or tools in any liquids.
- ▶ Do not use a high pressure or abrasive cleaner.

### Repair

Repairs to the equipment are not permitted.

- ▶ Send the controller to a Authorized Cleco Production Tools *Sales & Service Centers*.

### Disposal

Components of the tightening system may present potential risks the environment. The tightening system contains components that can be recycled, as well as components that have specific disposal requirements.

- ▶ Follow local applicable regulations.
- ▶ First separate, then dispose of components.
- ▶ Collect auxiliary materials (oils, greases) and dispose properly.
- ▶ Separate the components of the packaging and dispose of them according to local regulations.
- ▶ Return defective equipment to an approved collection point or return it to the *Sales & Service Centers*.



Observe local regulations for disposal of electronics and batteries. (In Germany, the Electrical and Electronic Equipment Act (ElektroG) and the Battery Act (BattG)):

- ▶ Used up batteries must be disposed of properly. Return depleted or defective batteries to an approved collection facility or to *Sales & Service Centers* for recycling.



### 3 Product description

Controller for use in safety-critical tightening.

The controller is primarily used as a control and monitoring unit for one or more tools at a workstation. Depending on the peripheral devices that are procured, the controller can also be installed outside of the work environment.

Software is already installed on the controller. The tightening settings must be carried out by a qualified person using the controller or remote PC software (mProRemote) in order to start fastening work. For further information regarding software operation, please reference the Programming Manual mPro400GCD.

### 4 Technical Specifications

#### Ambient Conditions

Features	Data
Operation Site	Indoors
Ambient Temperature	0...45 °C <sup>1</sup>
Storage Temperature	-20...70 °C
Type of Cooling	Convection (self-cooling)
Relative Humidity	10...90%, No Condensation
Working Height	Up to 3000 m Above Sea Level
Protection Class DIN EN 60529	IP42
Protection Class DIN EN61 140 (VDE 0140-1)	I
Degree of Contamination EN 61010	2
Transient Overvoltage EN 61010	CAT II
Maximum Shock DIN EN 60068-2-27	15 G
Maximum Vibration DIN EN 60068-2-5	59.6–160 Hz: 2 G

1. Note the derating. See the System Handbook NeoTek

#### Power Supply

Features	Data
Supply Voltage, Single Phase	100–240 VAC ± 10% <sup>1</sup>
Rated Supply Current	0.2 A
Frequency	50/60 Hz
Peak Current	2.5 A
Rated Power	120 VA max.
Idling	30 VA

- When operating outside the allowable voltage limits, the integrated power supply enters a protection mode and switches off. This protection mode can be reset by restarting the controller.

#### Normative references

For product-relevant EC Directives, as well as the standards complied with, see the EC Declaration of Conformity.

Certificates	
Issuing agency	TÜV SÜD AG
Certificate No.	U8 78313 0005
Tested in accordance with	<ul style="list-style-type: none"> <li>UL 61010-1:2012/R:2016-04</li> <li>CAN/CSA–C22.2 No.61010-1:2012/U2:2016-04</li> </ul>
Certificate No.	N8A 78313 0007
Tested in accordance with	<ul style="list-style-type: none"> <li>EN 61010-1:2010</li> </ul>
Certificate No.	DE3-30943
Tested in accordance with	<ul style="list-style-type: none"> <li>IEC 61010-1:2010</li> </ul>

#### System Data

Features	Data
System Functions	Battery Buffered Real Time Clock, Buffer Time: 20 Years (at 20 °C)
Display	LC Display With Touchscreen, 10.4" TFT Liquid Crystal Display, Resolution 800 x 600, Connection To Panel & Touch Possible
Operating System	OS-9000, Real-Time Operating System, Bootable Without Mechanically Moving Drives, No UPS Required
HMI (Human Machine Interface)	Virtual Keyboard for Alpha-numeric Inputs

#### Weight

Model	Weight*	
	lb	kg
mPro400GCD-M	21.3	9.7

## 5 Pin Assignment

This chapter describes the Cleco Production Tools specific connectors. Standard plugs are not considered. All connections are short-circuit proof.


### X5, X6 – Serial port for additional devices

- All outputs provide RS232 conforming signals.
- The inputs allow voltages in the range from -15 V to +15 V.
  - Voltages < 0.8 V correspond to a zero.
  - Voltages > 2.4 V are interpreted as a one.
  - Open inputs are preset to zero using a pulldown resistor.
- The power supply pins are connected directly to the main board power supply



#### Note

Do not connect or disconnect any device during operation. Doing so may result in a system reset.

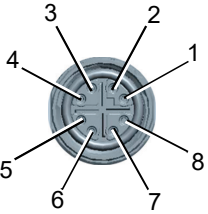
Pin	X5 RS232-1	X6 RS232-2	9 Pin D-Sub Male with Screw Lock
1	–	–	
2	RxD	RxD	
3	TxD	TxD	
4	–	–	
5	GND	GND	
6	–	–	
7	RTS	RTS	
8	CTS	CTS	
9	–	–	

### X7, X8 – Anybus CC

Optional slots for Anybus CC modules.

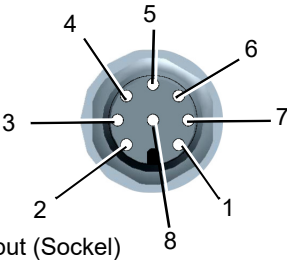
### X21 – TSnet System Bus Out

Interface port for TSnet cable.

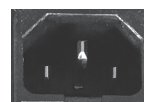
Pin	Signal	8 Pin M12 Circular Connector X-Coded
1	Tx +	
2	Tx -	
3	Rx +	
4	RX -	
5	0 VDC	
6	0 VDC	
7	+24 VDC	
8	+24 VDC	

### X22 – ARCNET System Bus

The station controller has an integrated bus termination; therefore, no external termination is necessary.

Pin	Signal	8 Pin M12 Circular Connector A-Coded
1	N.C.	
2	DATA-B	
3	GND	
4	+5 VDC	
5	DATA-A	
6	N.C.	
7	0 VDC	
8	+24 VDC	

### X23 – Supply

Description	IEC Connector C14
Connector with Fuse Holder 2-Pin, 5 × 20 mm, 16 A Slow-Blow	



#### Note

Use plug locking mechanism. See Quick Installation Guide.

### X9, X10 – Input/Output

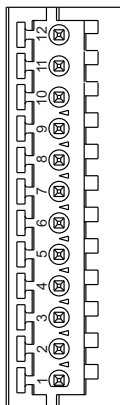
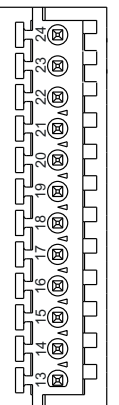
The required signal circuits are connected to these input/output connectors. The signal groups are not galvanically connected to the power supply; galvanic isolation is required.

- 8 inputs/8 outputs, optically isolated for 24 V level/ 0.5 A
- Output current: 500 mA per output, 2000 mA total



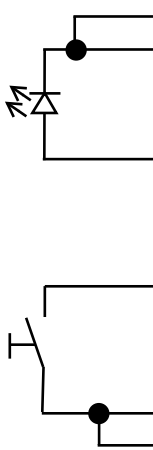
#### Note

A single device must not require a current of more than 500 mA. The current monitor switches off the output in the event of an overcurrent.

2x12 Pin Phoenix MCD 0.5/24-G1-2.5	
	
<b>Mating Connector</b> <b>Phoenix FK-MC 0.5/12-STZ3-2.5</b> <b>Order no. S981211</b>	

## Connectors – Internal power supply

Example:



Signal X9			Signal X10		
Pin	I/O	Name	Pin	I/O	Name
12		Supply GND Int.	24		Supply GND Int.
11		Supply GND I/O	23		Supply GND I/O
10	Output	O3	22	Output	O7
9	Output	O2	21	Output	O6
8	Output	O1	20	Output	O5
7	Output	O0	19	Output	O4
6	Input	I3	18	Input	I7
5	Input	I2	17	Input	I6
4	Input	I1	16	Input	I5
3	Input	I0	15	Input	I4
2		Supply +24 V O	14		Supply +24 V O
1		Supply +24 V Int.	13		Supply +24 V Int.

### Inputs

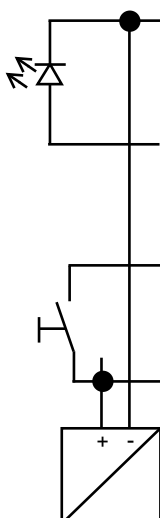
- Internal 24 V power supply for the controller.
- Pin 11 and 23 (common GND) serve as a "return line" for the outputs.
- Pin 11 and 23 must be connected to Pin 12 or 24 with jumpers.

### Outputs

- Internal 24 V power supply for the controller
- Pin 2 and 14 (common output) are the voltage source for the inputs.
- Pin 2 and 14 must be connected to Pin 1 or 13

## Connectors – external power supply

Example:



Signal X9			Signal X10		
Pin	I/O	Name	Pin	I/O	Name
12		Supply GND Int.	24		Supply GND Int.
11		Supply GND I/O	23		Supply GND I/O
10	Output	O3	22	Output	O3
9	Output	O2	21	Output	O2
8	Output	O1	20	Output	O1
7	Output	O0 (linking OK), e.g.	19	Output	O0 (linking OK), e.g.
6	Input	I3 (tool start), e.g.	18	Input	I3 (tool start), e.g.
5	Input	I2	17	Input	I2
4	Input	I1	16	Input	I1
3	Input	I0	15	Input	I0
2		Supply +24 V O	14		Supply +24 V O
1		Supply +24 V Int.	13		Supply +24 V Int.

### Inputs

- External 24 V power supply for the controller.
- Pin 11 and 23 (common GND) serve as a "return line" for the outputs.
- The GND for the external 24 V power supply must be used as the return line for Pin 11 and 23.

### Outputs

- External 24 V power supply for the controller.
- Pin 2 and 14 (common output) are the voltage source for the inputs.
- Pin 2 and 14 must be connected to the external 24 V power supply.

## 6 Storage Access

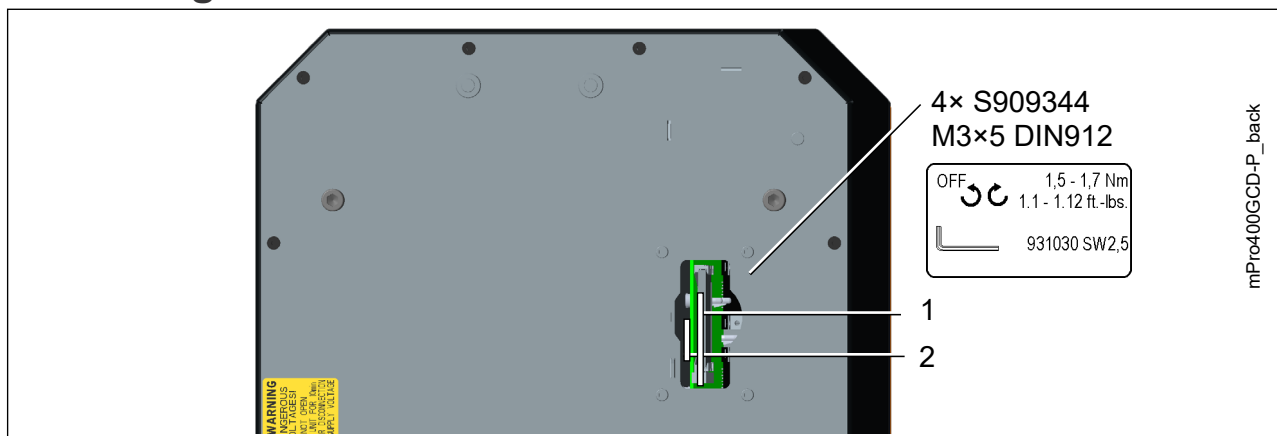


Abb. 6-1: Storage

Pos.	Name	Function
1	CF Card (Compact Flash)	Necessary for the operating system and archiving files/applications. Included with controller.
2	SD Card, Optional	Function is software-dependent: software update, save/load parameters, data archive files.







### Note

Only remove or plug in the CF card when the supply voltage is switched off. Otherwise, serious system errors and data loss will result.

## 7 Items Delivered

Check delivery for transit damage and ensure that all items have been supplied:

- Controller
- EC Declaration of Conformity
- Hardware Description
- SP-1500
- Warranty
- Mating Connector

	Power Cable EU 230 VAC Order no. 541683-03		Power Cable USA 115 VAC Order no. 541683-01
	Plug Locking Mechanism Order no. 544004-1		Power Cable USA 230 VAC Order no. 541683-02

# 1 Zu dieser Beschreibung

Diese Beschreibung enthält Anweisungen zur Einrichtung und Verwendung für die Steuerung:

Softwareanweisungen werden in separaten Programmieranleitungen je nach installierter Version bereitgestellt.

Die Originalsprache dieser Beschreibung ist Deutsch.

## Anforderung Software

Ident-Nr.	Beschreibung
S168813	Steuerungs-Software Standard
V1.8.0	
S168677	mPro-Remote Schnittstelle-Software zwischen externem Computer und Steuerung

## Weiterführende Dokumente

Ident-Nr.	Art
P1730E	Verfahrensbeschreibung Schraubdiagramme
P2279SB	Systemhandbook NeoTek
P2361JH	Quick Installation Guide Global Controller
P2280SW	Programmieranleitung mPro400GC(...) Standard SW
P3307C	EG-Konformitätserklärung mPro400GCD-M

## Symbole im Text

<i>kursiv</i>	Kennzeichnet Menüoptionen (z.B. Diagnose), Eingabefelder, Kontrollkästchen, Optionsfelder oder Dropdownmenüs.
>	Kennzeichnet die Auswahl einer Menüoption aus einem Menü, z.B. <i>Datei</i> > <i>Drucken</i>
<...>	Kennzeichnet Schalter, Druckknöpfe oder Tasten einer externen Tastatur, z.B. <F5>
Courier	Kennzeichnet Dateinamen und -pfade, z.B. <b>setup.exe</b>
•	Kennzeichnet Listen, Ebene 1
-	Kennzeichnet Listen, Ebene 2
a)	Kennzeichnet Optionen
b)	Kennzeichnet Optionen
→	Kennzeichnet Resultate
1. (...)	Kennzeichnet Handlungsschritte in Folge
2. (...)	Kennzeichnet Handlungsschritte
▶	Kennzeichnet einen einzelnen Handlungsschritt
Sales & Service Centers	Cleco Production Tools Sales & Service Center, siehe letzte Seite

# 2 Sicherheit

## 2.1 Grundlegende Anforderungen

- ▶ Nehmen Sie die Steuerung erst in Betrieb, nachdem Sie dieses Dokument gelesen und vollständig verstanden haben. Die Nichtbeachtung der Sicherheitshinweise und Anweisungen können elektrischen Schlag, Brand und / oder schwere Verletzungen verursachen.
- ▶ Dieses Dokument für zukünftige Verwendungen sorgfältig aufbewahren! Stellen Sie diese Dokumentation dem Konstrukteur, Monteur und dem für die Inbetriebnahme zuständigen Personal der Maschine oder Anlage, an der dieses Produkt zum Einsatz kommt, zur Verfügung.

## 2.2 Bestimmungsgemäße Verwendung

Das Produkt ist Teil des Cleco Production Tools Schraubsystems und ist ausschließlich für den industriellen Einsatz in Schraubprozessen bestimmt. Steuerung unter folgenden Bedingungen verwenden:

- Nur in Verbindung mit den, in der EG-Konformitätserklärung aufgeführten Komponenten.
- Nur unter den vorgeschriebenen Umgebungsbedingungen, siehe jeweilige Dokumentation.
- Nur mit der zulässigen Versorgungsspannung.
- Nur im angegebenen Leistungsbereich.
- Nur im Bereich von EMV-Grenzwertklasse A (Störfestigkeit für Industriebereiche). Aktuell eingehaltene EMV-Normen siehe EG-Konformitätserklärung.

## 2.3 Vorhersehbare Fehlanwendung

Die Steuerung nicht verwenden

- in explosionsgefährdeten Bereichen
- in Feuchträumen/Freien
- in Verbindung mit Schneidwerkzeugen (Bohrer, Fräser, Schleifer...)
- im nicht-industriellen Bereich (z. B. Wohnbereich)
- für andere Antriebsaufgaben als Verschrauben mit den in der Konformitätserklärung genannten Komponenten.
- Die Überbrückung von Sicherheitseinrichtungen ist unzulässig.

## 2.4 Ausbildung des Personals

Das Schraubsystem darf nur von qualifizierten und ausgebildeten Personen in Betrieb genommen, eingestellt und geprüft werden. Das Personal muss durch qualifizierte Mitarbeiter<sup>1</sup> von Apex Tool Group eingewiesen werden. Die Steuerung wurde von Apex Tool Group voreingestellt. Eine Anpassung der Steuerung an spezielle Anforderungen darf nur von einer qualifizierten Person<sup>1</sup> vorgenommen werden. Weitere Informationen finden Sie in der Programmieranleitung.

1.) Qualifiziertes Personal ist aufgrund von Berufsausbildung, Kenntnisse, Erfahrung und Verständnis der Umstände der durchzuführenden Arbeiten dazu in der Lage, mögliche Gefahren zu erkennen und angemessene Sicherheitsmaßnahmen einzuleiten. Qualifiziertes Personal muss die Regeln befolgen.

## 2.5 Persönliche Schutzausrüstung

### Verletzungsgefahr durch Aufwickeln und Erfassen

- ▶ Beim Arbeiten mit rotierenden Teilen ist das Tragen von Handschuhen verboten.  
Empfehlung: Frei drehende *u-GUARD* geschützte Schraubwerkzeuge von APEX.
- ▶ Enganliegende Kleidung tragen.
- ▶ Sicherheitsschuhe tragen.
- ▶ Ggf. Haarnetz tragen.

### Verletzungsgefahr durch Herausschleudern von Teilen:

- ▶ Schutzbrille tragen.

## 2.6 Darstellung Hinweise

Warnhinweise sind durch ein Signalwort und ein Piktogramm gekennzeichnet:

- Das Signalwort beschreibt die Schwere und die Wahrscheinlichkeit der drohenden Gefahr.
- Das Piktogramm beschreibt die Art der Gefahr



### Gefahr

Ein Symbol in Verbindung mit dem Wort **Gefahr** bezeichnet eine Gefährdung mit einem **hohen Risikograd**, die, wenn sie nicht vermieden wird, den Tod oder schwerste Verletzungen zur Folge hat.



### Warnung

Ein Symbol in Verbindung mit dem Wort **Warnung** bezeichnet eine Gefährdung mit einem **mittleren Risikograd**, die, wenn sie nicht vermieden wird, den Tod oder eine schwere Verletzung zur Folge haben kann.



### Vorsicht

Ein Symbol in Verbindung mit dem Wort **Vorsicht** bezeichnet eine Gefährdung mit einem **niedrigen Risikograd**, die, wenn sie nicht vermieden wird, eine geringfügige oder mäßige Verletzung zur Folge haben kann.



### Hinweis

Ein Symbol in Verbindung mit dem Wort **Hinweis** bezeichnet eine möglicherweise **schädliche Situation**, die wenn sie nicht vermieden wird, zu Sach- oder Umweltschäden führen kann.



Allgemeine Hinweise, enthalten Anwendungstipps und nützliche Informationen, jedoch keine Warnung vor Gefährdungen.

## 2.7 Symbole auf dem Produkt



Elektrische Spannung



CE konform  
Produkt entspricht den vorgeschriebenen technischen Anforderungen in Europa.



Betriebsanleitung sorgfältig durchlesen.



NRTL TÜV SÜD Mark  
Normative Verweise, Seite 17



**WARNING**

Vor Öffnen der Steuerung, Netzstecker ziehen.

## 2.8 Systemrelevante Sicherheitshinweise

Bei der Installation die nationalen, bundesstaatlichen und örtlichen Sicherheits- und Anschlussnormen befolgen. Diese Normen haben Vorrang vor den Angaben dieses Abschnitts.

- ▶ An der Steuerung, an den Schutzeinrichtungen oder Zubehöerteilen keine Änderungen ohne vorherige schriftliche Genehmigung von Apex Tool Group/ Apex Tool Group, LLC vornehmen.
- ▶ Die Steuerung oder Bauteile der Steuerung weder zur Fehlerbehebung noch zu anderen Arbeiten am Gerät öffnen. Jeglicher Eingriff kann im Fehlerfall schwere Verletzungen durch Stromschlag verursachen.

Der Betrieb bei geöffnetem Gerät bewirkt außerdem:

- Eine erhöhte Störaussendung: andere Geräte können gestört werden.
- Eine reduzierte Störfestigkeit: die Steuerung kann fehlerhafte Resultate liefern.
- Gewährleistungsverlust.

### Verletzungsgefahr durch Stromschlag

Steuerung oder Werkzeug kann im Fehlerfall Spannung führen. Ein Stromschlag kann zu Herz-Kreislaufstillstand, Atemstillstand, Verbrennungen und schweren Verletzungen bis zum Tod führen.

- ▶ Vor Anschluss von Netz- und Werkzeugkabel, beim Umrüsten, einer Reinigung oder einer Außerbetriebnahme die Steuerung abschalten.
- ▶ Schraubsystem nicht betreiben, falls Gehäuse, Kabel oder Werkzeug beschädigt ist.

### Bei der Installation

- ▶ Geeignetes Hebezeug verwenden.
- ▶ Sicherstellen, dass die Steuerung fest montiert und gesichert ist (siehe Kurzanleitung).
- ▶ Kabel und Leitungen so verlegen, dass keine Schäden oder Stolperfallen entstehen.
- ▶ Zulässigen Biegeradius des Kabels einhalten.
  
- ▶ Gesamtlänge Werkzeugkabel nicht überschreiten.
  - Primary-Steuerung mPro400GCD-P(...) max. 45 m
  - Secondary-Steuerung mPro-400GCD-S(...) max. 30 m
  - Bei Verwendung von Werkzeug Serie 70 gilt:
    - Werkzeugkabel bis zu 3 m können mit einem Verlängerungskabel von max. 25 m verwendet werden.
    - Werkzeugkabel bis zu 6 m können mit einem Verlängerungskabel von max. 20 m verwendet werden.
    - Werkzeugkabel über 6 m dürfen nicht verlängert werden.

Im Fehlerfall können hohe Ableitströme auftreten, die Verletzungen durch Stromschlag verursachen.

- ▶ Beigefügte Netzleitung verwenden. Bei Änderung eine normgerechte Netzleitung verwenden.
- ▶ Bei 115-VAC: Kabel mit einem größeren Querschnitt verwenden. Bestell-Nr. 541683-01.

### Vor der Inbetriebnahme

- ▶ Nur an geerdetem Netz (TN-System) betreiben. Der Betrieb am IT-Netz ist unzulässig.
- ▶ Normkonforme PE-Anbindung sicherstellen.
- ▶ Vor Inbetriebnahme Schutzleitermessung nach örtlich geltenden Vorschriften (in Deutschland DGUV-Vorschrift 3) durchführen.
- ▶ Die Steuerung erst einschalten, nachdem alle Anschlüsse korrekt hergestellt wurden (siehe Hardwarebeschreibung).

### Verletzungsgefahr durch gefahrbringende Bewegungen

Unzureichende Not-Halt-Einrichtungen können lebensbedrohliche Folgen haben.

- ▶ Die Notwendigkeit eines Not-Halts und dessen Ausführung obliegt dem Anwender und seiner Risikoanalyse!
- ▶ Für zugängliche und wirksame Not-Halt-Einrichtungen sorgen. Ein Entriegeln der Not-Halt-Einrichtung darf keinen unkontrollierten Neustart der Anlage verursachen!
- ▶ Vor dem Einschalten der Anlage die Not-Halt-Einrichtungen auf Funktion prüfen.

### Im Betrieb

- ▶ Steuerung bei ungewöhnlichen Geräuschen, Erhitzung oder Vibrationen sofort abschalten.
- ▶ Netzstecker ziehen und das Schraubsystem von qualifiziertem Personal überprüfen und bei Bedarf reparieren lassen.
- ▶ Niemals den Stecker am Kabel aus der Steckdose ziehen.
- ▶ Kabel vor Hitze, Öl, scharfen Kanten oder bewegten Teilen schützen.
- ▶ Beschädigte Kabel sofort ersetzen.
- ▶ Werkzeug- und Steckverbindungen zwischen Steuerung und Werkzeug sauber halten.
- ▶ Auf einen ordentlichen Arbeitsplatz achten, um Verletzungen oder Schäden an den Schraubkomponenten zu vermeiden.
- ▶ Am Arbeitsplatz für ausreichenden Platz sorgen.

### Gefahr durch eine falsche Drehmomentmessung

Falls eine NIO-Verschraubung unerkannt bleibt, kann dies lebensbedrohliche Folgen haben.

- ▶ Nach einem unsachgemäßen Einsatz (Absturz, mechanische Überlastung ...) unbedingt Rekalibrierung (oder Fähigkeitsuntersuchung) durchführen.
- ▶ Für sicherheitskritische Verschraubungen Kategorie A (VDI 2862) eine Redundanzmessung aktivieren (z. B. Stromredundanz).
- ▶ Eine turnusmäßige Messmittelüberwachung der Maschinen und Werkzeuge einführen.
- ▶ Nur mit einem einwandfrei funktionierendem Schraubsystem arbeiten. Im Zweifelsfall *Sales & Service Centers* kontaktieren.

### Einsatz der Secondary-Steuerung

Bis zu 15 Secondary-Steuerung können zu einer Primary-Steuerung hinzugefügt werden (mPro400GCD-P). Beim Ausschalten bzw. Ausfall der Secondary-Steuerung wird die Kommunikation des TSNet-Busses unterbrochen. Der Kommunikationsverlust zur Primary-Steuerung hat Auswirkungen auf die Secondary-Steuerung:

- Es werden keine Ergebnisse an die Primary-Steuerung zurückgemeldet.
- Es werden keine Verschraubungen mehr gestartet.
- Eine laufende Verschraubung zeigt die Fehlermeldung SA (Abbruch durch Wegnahme des Startsignals) an, wenn die TSNet-Verbindung während des Schraubvorgangs unterbrochen wurde.
- Es wird kein Abschaltsignal mehr empfangen, und somit erfolgt eine Abschaltung nur noch
  - mit der Starttaste des Werkzeugs,
  - nach Erreichen des Abschalt-Kriteriums oder
  - über eine Sicherheitsabschaltung nach zwei Sekunden.

## WARNUNG!

Während des Remote-Start-Betriebs (Mehrfach-Schrauber) führt eine Unterbrechung des TSN-Net-Busses zu einem verzögerten Stopp des Einbauschraubers/des Werkzeugs. Diese Verzögerung beträgt 2 Sekunden.

### Gefahr aufgrund eines unerwarteten Motoranlaufs oder eines erwarteten, aber nicht funktionierenden Stopps

Trotz redundanter Steuerungsteile und Überwachungsfunktionen kann in sehr seltenen Fällen der Motor unerwartet anlaufen. Mögliche Ursache: Fernsteuerung der Diagnosefunktionen, Bitkipper im Speicher der Steuerung. Ausgehend vom Werkzeug können mechanische Gefahren wie Ruck/Stoß durch Reaktionsmoment, Verletzungsgefahr durch Aufwickeln und Erfassen die Folge sein.

- ▶ Werkzeug an den ausgewiesenen Griffpunkten benutzen.
- ▶ Vorgeschriebene Reaktionsaufnahmen verwenden. Drehmomente siehe Bedienungsanleitung Werkzeug.
- ▶ Nach dem Einschalten der Steuerung warten, bis der Bootvorgang abgeschlossen ist. Dies dauert in der Regel 60 Sekunden. Dann erst erneut aus-/einschalten.

### Bei der Wartung

- ▶ Die Steuerung ist generell wartungsfrei.
- ▶ Örtliche Vorschriften zur Instandhaltung und Wartung für alle Betriebsphasen des Schraubsystems berücksichtigen.

### Bei der Reinigung

- ▶ Nur das Äußere des Werkzeugs mit einem trockenen oder leicht feuchten Lappen reinigen.
- ▶ Steuerung oder Werkzeug nie in Flüssigkeiten tauchen.
- ▶ Keinen Hochdruckreiniger verwenden.

### Bei der Reparatur

Reparaturen am Gerät sind unzulässig.

- ▶ Die Steuerung an ein autorisiertes Cleco Production Tools *Sales & Service Centers* schicken.

### Bei der Entsorgung

Komponenten des Schraubsystems stellen mögliche Gefahren für Gesundheit und Umwelt dar. Das Schraubsystem enthält Komponenten, die recycelt werden können, sowie Komponenten, die spezielle Recyclingvorgaben haben.

- ▶ Örtlich geltenden Vorschriften beachten.
- ▶ Die Bauteile vor der Entsorgung trennen.
- ▶ Hilfsstoffe (Öle, Fette) beim Ablassen auffangen und ordnungsgemäß entsorgen.
- ▶ Bestandteile der Verpackung trennen und sortenrein entsorgen.
- ▶ Werkzeug und defekte Steuerung an einer anerkannten Sammelstelle abgeben oder zum Recycling an ein *Sales & Service Centers* schicken.



Örtlich geltenden Bestimmungen zur Entsorgung von Elektronikbauteilen und Batterien beachten (in Deutschland gemäß Elektro- und Elektronikgerätegesetz (ElektroG) sowie Batteriegesetz (BattG)):

- ▶ Verbrauchte Batterien müssen entsprechend entsorgt werden. Leere oder fehlerhafte Batterien an einer anerkannten Sammelstelle abgeben oder zum Recycling an ein *Sales & Service Centers* schicken.



### 3 Produktbeschreibung

Steuerung für den Einsatz bei sicherheitskritischer Verschraubungen.

Die Steuerung dient in erster Linie als Steuer- und Überwachungseinheit für ein oder mehrere Werkzeuge an einer Arbeitsstation. Abhängig von den beschafften Peripheriegeräten kann die Steuerung auch außerhalb der Arbeitsumgebung installiert werden.

Die Anzugseinstellungen müssen von einer qualifizierten Person mit der Steuerung oder der Remote-PC-Software (mProRemote) durchgeführt werden, um mit dem Verschrauben zu beginnen. Weitere Informationen zur Bedienung der Software finden Sie im Programmierhandbuch mPro400GCD.

### 4 Technische Daten

#### Umgebungsbedingungen

Merkmale	Daten
Einsatzort	In Innenräumen
Umgebungstemperatur	0...45 °C <sup>1</sup>
Lagertemperatur	-20...70 °C
Kühlungsart	Konvektion (Eigenkühlung)
Relative Luftfeuchtigkeit	10...90 % keine Betauung
Arbeitshöhe	Bis 3000 m über NN
Schutzart DIN EN 60529	IP42
Schutzklasse DIN EN61 140 (VDE 0140-1)	I
Verschmutzungsgrad EN 61010	2
Transiente Überspannung EN 61010	CAT II
Schock max. DIN EN 60068-2-27	15 G
Vibration max. DIN EN 60068-2-5	59.6–160 Hz: 2 G

1. Derating beachten. Siehe Systemhandbuch

#### Spannungsversorgung

Merkmale	Daten
Versorgungsspannung, einphasig	100–240 VAC ±10 % <sup>1</sup>
Versorgungsnennstrom	0,2 A
Frequenz	50/60 Hz
Spitzenstrom	2,5 A
Bemessungsleistung	120 VA max.
Leerlauf	30 VA

- Bei Betrieb außerhalb der zulässigen Spannungsgrenzen wechselt das integrierte Netzteil in einen Schutzmodus und schaltet ab. Dieser Schutzmodus kann durch einen Neustart der Steuerung wieder zurückgesetzt werden kann.

#### Normative Verweise

Produktrelevante EG-Richtlinien sowie eingehaltene Normen siehe EG-Konformitätserklärung.

Zertifikate	
Ausstellende Stelle	TÜV SÜD AG
Certificate No.	U8 78313 0005
Getested nach	<ul style="list-style-type: none"> <li>UL 61010-1:2012/R:2016-04</li> <li>CAN/CSA–C22.2 No.61010-1:2012/U2:2016-04</li> </ul>
Certificate No.	N8A 78313 0007
Getested nach	<ul style="list-style-type: none"> <li>EN 61010-1:2010</li> </ul>
Certificate No.	DE3-30943
Getested nach	<ul style="list-style-type: none"> <li>IEC 61010-1:2010</li> </ul>

#### Systemdaten

Merkmale	Daten
Systemfunktionen	Akku gepufferte RealTimeClock, Pufferzeit: 20 Jahre (bei 20° C)
Anzeige	LC-Display mit Touchscreen, 10,4"-TFT-Flüssigkristallanzeige, Auflösung 800 x 600, Anschluss an Panel & Touch möglich
Betriebssystem	OS-9000 Echtzeitbetriebssystem, bootfähig ohne mechanisch bewegte Laufwerke, keine USV notwendig
HMI (Human Machine-Interface)	Virtuelle Tastatur für alphanumerische Eingaben

#### Gewicht

Modell	Gewicht*	
	lb	kg
mPro400GCD-M	21.3	9,7

## 5 Steckerbelegung

Diese Kapitel beschreibt die Cleco Production Tools speziellen Stecker. Standard-Stecker werden nicht berücksichtigt. Alle Anschlüsse sind kurzschlussfest.

### X5, X6 – Zusatzgeräte

- Alle Ausgänge liefern RS232 konforme Signale.
- Die Eingänge erlauben Spannungen im Bereich von -15 V bis +15 V.
  - Spannung < 0,8 V entspricht einer Null.
  - Spannung > 2,4V wird als Eins interpretiert.
  - Offene Eingänge werden mit Pulldown Widerstand auf Null voreingestellt.

Die Versorgungspins sind direkt mit der Platinenversorgung verbunden.



#### Hinweis

Verbraucher nicht während des Betriebs stecken oder abziehen. Ein System-Reset kann dabei die Folge sein.

Pin	X5 RS232-1	X6 RS232-2	9 pol. D-Sub Stift mit Schraubverriegelung
1	–	–	
2	RxD	RxD	
3	TxD	TxD	
4	–	–	
5	GND	GND	
6	–	–	
7	RTS	RTS	
8	CTS	CTS	
9	–	–	

### X7, X8 – Anybus CC

Steckplätze für Anybus CC Module.

### X21 – Systembus TSnet Out

Pin	Signal	8 pol. M12 Rundsteckverbinder, X-codiert
1	Tx +	
2	Tx -	
3	Rx +	
4	Rx -	
5	0 VDC	
6	0 VDC	
7	+24 VDC	
8	+24 VDC	

### X22 – Systembus ARCNET

Integrierter Busabschluss. Kein externer Abschluss notwendig.

Pin	Signal	8 pol. M12 Rundsteckverbinder A-codiert
1	N.C.	
2	DATA-B	
3	GND	
4	+5 VDC	
5	DATA-A	
6	N.C.	
7	0 VDC	
8	+24 VDC	

### X23 – Netzanschluss

Beschreibung	IEC Gerätestecker C14
Gerätestecker mit Sicherungshalter, 2-polig, 5 × 20 mm, 16 A träge	



#### Hinweis

Stecker-Arretierung verwenden, siehe Quick Installation Guide.

### X9, X10 – Eingang/Ausgang

An diesen Ein- / Ausgangssteckverbindern sind die notwendigen Signalverschaltungen aufgelegt. Die Versorgungen der Signalgruppen sind nicht galvanisch verbunden, es wird getrenntes Auflegen verlangt.

- 8 Eingänge / 8 Ausgänge, opto-isoliert für 24V-Pegel / 0,5 A
- Ausgangsstrom: 500 mA pro Ausgang, 2000 mA insgesamt



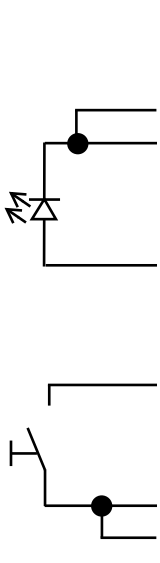
#### Hinweis

Ein Verbraucher darf nicht mehr als 500 mA Strom benötigen. Die Stromüberwachung schaltet bei Überstrom den Ausgang ab.

2x12 pol. Phoenix MCD 0.5/24-G1-2.5	
X9	X10
<b>Gegenstecker</b> <b>Phoenix FK-MC 0,5/12-STZ3-2,5</b> <b>Bestell-Nr: S981211</b>	

## Anschlüsse – Interne Spannungsversorgung

Beispiel:



Signal X9			Signal X10		
Pin	I/O	Bezeichnung	Pin	I/O	Bezeichnung
12		Versorgung GND Int.	24		Versorgung GND Int.
11		Versorgung GND I/O	23		Versorgung GND I/O
10	Ausgang	O3	22	Ausgang	O7
9	Ausgang	O2	21	Ausgang	O6
8	Ausgang	O1	20	Ausgang	O5
7	Ausgang	O0	19	Ausgang	O4
6	Eingang	I3	18	Eingang	I7
5	Eingang	I2	17	Eingang	I6
4	Eingang	I1	16	Eingang	I5
3	Eingang	I0	15	Eingang	I4
2		Versorgung +24 V Ext.	14		Versorgung +24 V Ext.
1		Versorgung +24 V Int.	13		Versorgung +24 V Int.

Eingänge

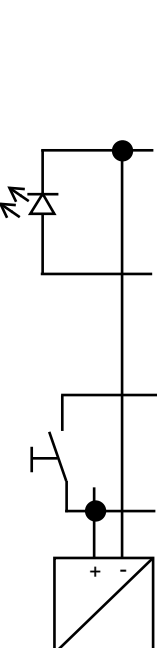
- Interne 24-Volt-Spannungsversorgung der Steuerung.
- Pin 11 und 23 (GND gemeinsam) dienen als „Rückleitung“ für die Ausgänge.
- Pin 11 und 23 müssen durch Steckbrücken mit Pin 12 bzw. 24 verbunden werden.

Ausgänge

- Interne 24-Volt-Spannungsversorgung der Steuerung
- Pin 2 und 14 (Ausgang gemeinsam) sind die Spannungsquelle für die Eingänge.
- Pin 2 und 14 müssen mit Pin 1 bzw. 13 verbunden werden.

## Anschlüsse – Externe Spannungsversorgung

Beispiel:



Signal X9			Signal X10		
Pin	I/O	Bezeichnung	Pin	I/O	Bezeichnung
12		Versorgung GND Int.	24		Versorgung GND Int.
11		Versorgung GND I/O	23		Versorgung GND I/O
10	Ausgang	O3	22	Ausgang	O7
9	Ausgang	O2	21	Ausgang	O6
8	Ausgang	O1	20	Ausgang	O5
7	Ausgang	O0	19	Ausgang	O4
6	Eingang	I3	18	Eingang	I7
5	Eingang	I2	17	Eingang	I6
4	Eingang	I1	16	Eingang	I5
3	Eingang	I0	15	Eingang	I4
2		Versorgung +24 V Ext.	14		Versorgung +24 V Ext.
1		Versorgung +24 V Int.	13		Versorgung +24 V Int.

Eingänge

- Externe 24-Volt-Spannungsversorgung der Steuerung.
- Pin 11 und 23 (GND gemeinsam) dienen als „Rückleitung“ für die Ausgänge.
- Als Rückleitung für Pin 11 und 23 muss GND der externen 24-Volt-Spannungsversorgung verwendet werden.

Ausgänge

- Externe 24-Volt-Spannungsversorgung der Steuerung.
- Pin 2 und 14 (Ausgang gemeinsam) sind die Spannungsquelle für die Eingänge.
- Pin 2 und 14 müssen mit der externen 24-Volt-Spannungsversorgung verbunden werden.

## 6 Speicherzugänge

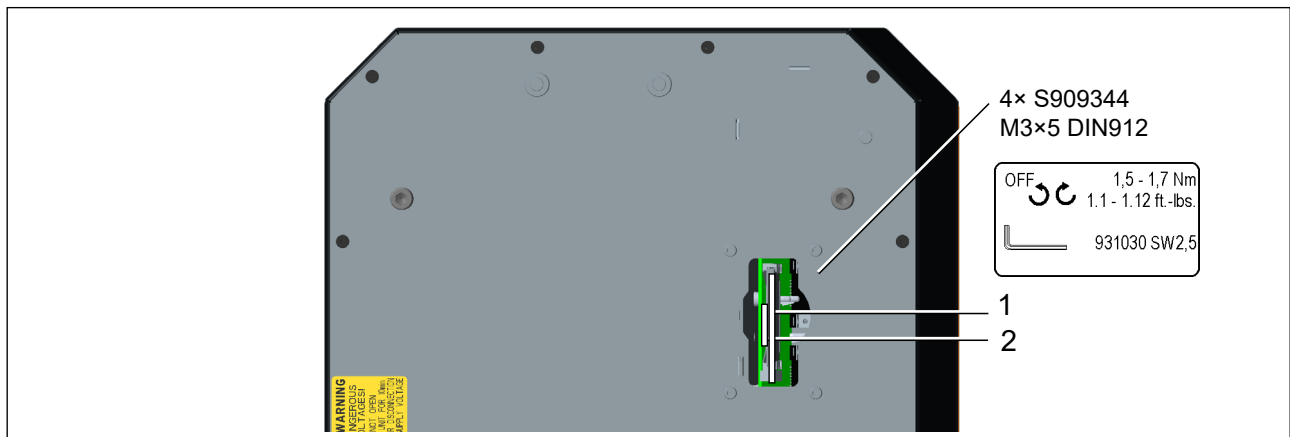


Abb. 6-1: Position der Anschlüsse

Pos.	Bezeichnung	Funktion
1	CF-Karte (Compact Flash)	Betriebssystem, Archivdateien und Anwendungen. Im Lieferumfang enthalten.
2	SD-Karte, optional	Funktion ist Software-abhängig: Software-Update, Parameter speichern/laden, Datenarchivdateien...



### Hinweis

Nur bei ausgeschalteter Versorgungsspannung die CF-Karte ziehen oder stecken. Schwere Systemfehler und Datenverlust sind bei Nichtbeachtung die Folge.

## 7 Lieferumfang

Lieferung auf Transportschäden und auf Übereinstimmung mit dem Lieferumfang überprüfen:

- Schraubersteuerung
- EG-Konformitätserklärung
- Diese Hardware-Beschreibung
- Garantie

	Netz kabel EU 230 VAC Best.-Nr. 541683-03		Netz kabel USA 115 VAC Best.-Nr. 541683-01
	Stecker Arretierung Best.-Nr. 544004-1		Netz kabel USA 230 VAC Best.-Nr. 541683-02

# 1 Acerca de esta descripción del hardware

Esta descripción contiene instrucciones para configurar y utilizar el controlador

Las instrucciones del *software* se proporcionan en guías de programación aparte, dependiendo de la versión instalada.

El idioma original de esta descripción es el alemán.

## Requisitos del software

N.º de ident.	Descripción
S168813 V1.8.0	Software del controlador estándar
S168677	mPro-Remote Software de interfaz entre la computadora externa y el controlador

## Otros documentos de interés

N.º de ident.	Art.
P1730E	Descripción del proceso Diagrama de atornillado
P2279SB	Manual del sistema NeoTek
P2361JH	Guía de instalación rápida de Global Controller
P2280SW	Manual de programación mPro400GC(...), software estándar
P3307C	Declaración de conformidad CE de mPro400GCD-M

## Símbolos en el texto

<i>Cursiva</i>	Identifica opciones de menú (p. ej. diagnóstico), campos de entrada, casillas de control, botones de selección o menús desplegados.
>	Identifica la selección de una opción del menú en un menú, p. ej. <i>Imprimir &gt; archivo</i>
<...>	Identifica los interruptores, botones de comando o teclas en un teclado externo, p. ej. <F5>
Courier	Identifica nombres y rutas de archivos, p. ej. <b>setup.exe</b>
•	Identifica listas, nivel 1
-	Identifica listas, nivel 2
a)	Identifica opciones
b)	
→	Identifica resultados
1. (...)	Identifica pasos de actuación de una secuencia
2. (...)	
▶	Identifica pasos de actuación individuales
Sales & Service Center	Cleco Production Tools Centro de Ventas y Servicio, consulte la página

# 2 Seguridad

## 2.1 Requisitos básicos

- ▶ Ponga en funcionamiento el controlador solamente después de haber leído y comprendido íntegramente el presente documento. No tomar en cuenta estas normas y advertencias de seguridad puede tener como consecuencia una descarga eléctrica, un incendio o lesiones graves.
- ▶ Conserve este documento para futuras consultas. Ponga esta documentación a disposición del constructor, instalador y al personal responsable de la puesta en servicio de la máquina o instalación en la que se utilice este producto.

## 2.2 Uso previsto

Este producto forma parte del sistema de apriete Cleco Production Tools y está exclusivamente destinado para la aplicación industrial en procesos de atornillado. Utilice el controlador en las siguientes condiciones:

- Únicamente junto con los componentes detallados en la Declaración de conformidad CE .
- Solo en las condiciones ambientales prescritas; vea la documentación correspondiente.
- Solo con la tensión de alimentación permitida.
- Solo dentro del rango de potencia indicado.
- Solo dentro del ámbito de cumplimiento con el valor límite de CEM de la clase A (resistencia a perturbaciones para sectores industriales). Normas de CEM actualmente vigentes; vea la Declaración de conformidad CE.

## 2.3 Uso indebido previsible

No utilice el controlador:

- en entornos potencialmente explosivos;
- en locales húmedos/al aire libre;
- junto con herramientas de corte (taladro, fresa, lijadora...);
- en ámbitos no industriales (p. ej., áreas residenciales);
- para otras actividades de accionamiento distintas al atornillado con los componentes enumerados en la declaración de conformidad.
- El puentado de dispositivos de seguridad no está permitido.

## 2.4 Formación del personal

La puesta en servicio, los ajustes y la comprobación de este sistema de apriete deben ser realizados exclusivamente por personas calificadas y capacitadas. El personal debe ser instruido por empleados calificados<sup>1</sup> de Apex Tool Group.

1.) Personal calificado es aquel que, en base a su formación profesional, conocimientos, experiencia y entendimiento de las condiciones en relación con los trabajos que se van a llevar a cabo, está capacitado para reconocer los posibles peligros y tomar las medidas de seguridad pertinentes. El personal calificado debe respetar las normas.

El controlador ha sido preconfigurado por Apex Tool Group. La adaptación del controlador a unos requisitos concretos solo puede llevarla a cabo una persona calificada<sup>1)</sup>. Encontrará información adicional en el manual de programación.

## 2.5 Equipo de protección individual

### Peligro de lesiones por enrollamiento y aprisionamiento

- ▶ Al trabajar con piezas giratorias, está prohibido llevar guantes puestos.  
Recomendación: herramientas protegidas de atornillado *u-GUARD* de giro libre de APEX.
- ▶ Lleve ropa ceñida al cuerpo.
- ▶ Use calzado de seguridad.
- ▶ Si es necesario, recójase el pelo con una malla.

### Peligro de lesiones por expulsión de piezas:

- ▶ Use lentes protectores.

## 2.6 Observaciones sobre representación

Las indicaciones de advertencia se identifican con una palabra de advertencia y un pictograma:

- La palabra de advertencia describe la gravedad y la probabilidad del peligro existente.
- El pictograma describe el tipo de peligro



### Peligro

Un símbolo junto con la palabra **Peligro** describe un peligro inminente con un **alto nivel de riesgo** que, de no evitarse, puede tener como consecuencia la muerte o lesiones graves.



### Advertencia

Un símbolo junto con la palabra **Advertencia** describe un peligro inminente con un **mayor nivel de riesgo** que, de no evitarse, puede tener como consecuencia la muerte o lesiones graves.



### Atención

Un símbolo junto con la palabra **Precaución** describe un peligro con un **nivel de riesgo bajo** que, de no evitarse, puede causar lesiones leves o moderadas, o daños al medio ambiente.



### Aviso

Un símbolo junto con la palabra **Aviso** describe una posible **situación de peligro** que, de no evitarse, puede causar daños en la herramienta o al medio ambiente.



Indicaciones generales: incluyen consejos de aplicación e información útil, pero no advierten de ningún peligro.

## 2.7 Símbolos en el producto

Asegúrese de haber entendido su significado antes de utilizar el producto:



Tensión eléctrica



Conformidad CE

El producto cumple con las especificaciones técnicas obligatorias en Europa.



Lea todas las instrucciones.



NRTL TÜV SÜD Mark

4 Especificaciones técnicas, página 25



**ADVERTENCIA**

Antes de abrir el dispositivo, desenchufe el conector de alimentación.

## 2.8 Indicaciones de seguridad relevantes para el sistema

Estas instrucciones de seguridad no pretenden ser exhaustivas. Al realizar la instalación, es obligatorio cumplir con las normas nacionales y locales relativas a la seguridad y a las conexiones. Dichas normas tienen prioridad sobre las indicaciones que se describen en este apartado.

- ▶ No realice ninguna modificación en el controlador, en los dispositivos de protección o en los accesorios sin la autorización previa por escrito de Apex Tool Group.
- ▶ No intente abrir el controlador o los componentes del controlador, ya sea para localizar averías o para cualquier otro trabajo en el dispositivo. En caso de falla, cualquier intervención puede provocar graves lesiones por descarga eléctrica.

Además, el uso del dispositivo abierto puede causar:

- mayor emisión de interferencias: otros dispositivos se verán afectados;
- menor resistencia a perturbaciones: el controlador puede arrojar resultados erróneos;
- la pérdida de los derechos de garantía.

### Peligro de lesiones por descarga eléctrica;

contacto con la tensión de red o con el controlador; puede provocar tensión en caso de falla. Una descarga eléctrica puede provocar un paro cardíaco, paro respiratorio, quemaduras y lesiones graves que pueden ser mortales.

- ▶ Desconecte el controlador antes de conectar el cable de alimentación, cuando esté reequipando, limpiando o poniendo fuera de servicio el controlador.
- ▶ No utilice el sistema de apriete si la carcasa, el cable o la herramienta están dañados.

## Durante la instalación

Peligro de aplastamiento.

El controlador puede caerse y aplastar partes del cuerpo.

- ▶ Utilice dispositivos de elevación adecuados.
- ▶ Asegúrese de que el controlador está fuertemente fijado y bien asegurado (consulte la Guía de instalación rápida).
- ▶ Disponga los cables de tal manera que se eviten los daños y los riesgos de tropiezo.
- ▶ Respete el radio de flexión permitido del cable.
- ▶ No exceda la longitud total del cable de la herramienta.

- Controlador primario  
mPro400GCD-P(...) máx. 45 m
- Controlador secundario  
mPro-400GCD-S(...) máx. 30 m
- Si se utiliza una herramienta de la serie 70 es de aplicación lo siguiente:
  - Se pueden utilizar cables para herramientas de hasta 3 m con un cable alargador de 25 m como máximo.
  - Se pueden utilizar cables para herramientas de hasta 6 m con un cable alargador de 20 m como máximo.
  - Los cables de la herramienta de más de 6 m no pueden alargarse.

En caso de falla, pueden producirse corrientes de fuga elevadas, causando lesiones por descarga eléctrica.

- ▶ Utilice el cable de alimentación adjunto. En caso de cambio, utilice un cable de alimentación normalizado.
- ▶ Con 115 V CA: utilice cables de alimentación con una sección mayor. N.º de pedido 541683-01.

## Antes de la puesta en servicio

- ▶ Utilice el dispositivo solamente en una red eléctrica con puesta a tierra (esquema TN). Está prohibido el uso en esquemas IT.
- ▶ Se debe garantizar una conexión PE en conformidad con las normas aplicables.
- ▶ Antes de la puesta en servicio, realice una medición del conductor de protección conforme a la normativa vigente (en Alemania, DGUV Vorschrift 3).
- ▶ Conecte el controlador una vez realizadas todas las conexiones correctamente.

## Peligro de lesiones por movimientos peligrosos.

Un número insuficiente de dispositivos de parada de emergencia puede tener consecuencias mortales.

- ▶ La necesidad de una parada de emergencia y su ejecución es responsabilidad del usuario y del análisis de riesgos que este realice.
- ▶ Proporcione dispositivos de parada de emergencia accesibles y eficaces. El desbloqueo del dispositivo de parada de emergencia no debe provocar arranques descontrolados de la instalación.
- ▶ Antes del encendido de la instalación, compruebe que los dispositivos de parada de emergencia funcionen.

## Funcionamiento

- ▶ Desconecte inmediatamente el controlador si se producen ruidos, calentamientos y vibraciones extraños. Desenchufe el conector de alimentación y encargue a personal calificado la comprobación del sistema de apriete y, en caso de ser necesario, su reparación.
- ▶ No jale nunca del cable para desconectarlo de la toma de corriente.
- ▶ Proteja el cable de fuentes de calor, aceites, bordes afilados o piezas móviles.
- ▶ Sustituya inmediatamente los cables dañados.
- ▶ Mantenga limpias la herramienta y las conexiones de enchufe.
- ▶ Mantenga limpia el área de trabajo.
- ▶ Asegúrese de que el espacio disponible en el área de trabajo sea suficiente.

## Riesgo vinculado a una medición de torque incorrecta.

No detectar una unión atornillada incorrecta puede tener consecuencias mortales.

- ▶ Después de un uso que no sea conforme al previsto (impacto, sobrecarga mecánica, etc.), es obligatorio realizar una nueva calibración (o análisis de capacidad).
- ▶ Para uniones atornilladas de categoría A, que son críticas para la seguridad (VDI 2862), active una medición de redundancia (p. ej., redundancia de corriente).
- ▶ Inicie un control por turnos de las máquinas y herramientas mediante dispositivos de medición.
- ▶ Trabaje únicamente con un sistema de apriete en perfectas condiciones. En caso de duda, diríjase al Centro de Ventas y Servicio.

## Peligro por arranque inesperado del motor o por parada esperada pero fallida.

A pesar de las piezas de control redundantes y las funciones de supervisión, en casos muy poco frecuentes, es posible que se produzca un arranque inesperado de la máquina. Posibles causas: control remoto de las funciones de diagnóstico; volcados de bit en la memoria del control. Esto puede derivar en peligros mecánicos, tales como jalones y golpes debido al torque de reacción, o en peligros de lesión por enrollamiento y aprisionamiento, derivados de la herramienta:

- ▶ Utilice la herramienta por los puntos de agarre indicados.
- ▶ Utilice los planos de reacción prescritos. Consulte el manual de instrucciones de la herramienta para conocer sus torques.
- ▶ Tras encender el controlador, espere a que finalice el ciclo de arranque. Por lo general, este tiene una duración de 60 s. No apague/encienda hasta que haya transcurrido este tiempo.

### Uso de controladores secundarios

Si un controlador secundario se desconecta o falla, se interrumpe la comunicación del bus TSNet. Esta pérdida de comunicación con el controlador maestro tiene consecuencias para los controladores secundarios:

- No se devuelve ningún resultado al controlador principal/maestro.
- No se inician más uniones atornilladas.
- La unión atornillada se evalúa con el mensaje de error SA (se interrumpe al eliminar la señal de arranque) si la conexión TSNet se interrumpió durante la unión atornillada.
- Ya no se recibe una señal de desconexión, por lo que la desconexión se produce:
  - con la tecla de inicio de la herramienta;
  - al alcanzar el criterio de desconexión;
  - a través de una desconexión de seguridad después de dos segundos.

¡ADVERTENCIA!

Durante la operación de arranque remoto (atornillador múltiple), una interrupción del bus TSNet provoca una parada retardada del atornillador/de la herramienta.

Este retardo dura 2 s.

### Durante el mantenimiento

- ▶ Cumpla las normas locales para el mantenimiento y la conservación de todas las fases de servicio del controlador de apriete.
- ▶ Por lo general, el controlador no necesita de mantenimiento.

### Durante la limpieza

- ▶ Limpie solamente el exterior de la herramienta utilizando un paño seco o ligeramente humedecido.
- ▶ No sumerja el controlador o las herramientas en ningún líquido.
- ▶ No utilice limpiadoras de alta presión.

### Durante la reparación

No está permitido realizar reparaciones en el equipo.

- ▶ Envíe el controlador a un Cleco Production Tools *Sales & Service Center* autorizado.

### Durante el desecho

Los componentes del sistema de apriete conllevan riesgos potenciales para la salud y el medio ambiente. El sistema de apriete incluye componentes que se pueden reciclar, así como componentes que se deben desechar según requisitos de desecho específicos.

- ▶ Respete la normativa local aplicable.
- ▶ En primer lugar separe y, a continuación, deseche los componentes.
- ▶ Recoja las sustancias auxiliares (aceites, grasas) durante el vaciado y deséchelas adecuadamente.
- ▶ Separe los componentes del embalaje y deséchelos de acuerdo con la normativa local.
- ▶ Devuelva el equipo defectuoso a un punto de recogida homologado o al *Sales & Service Center*.



Respete la normativa local para desechar aparatos electrónicos y baterías (en Alemania, la Ley sobre productos eléctricos y electrónicos [ElektroG] y la Ley sobre baterías [BattG]):

- ▶ Las baterías gastadas se deben desechar de la forma adecuada. Devuelva las baterías agotadas o defectuosas a un centro de recogida homologado o al *Sales & Service Center* para su reciclaje.



## 3 Descripción del producto

Controlador para uso con uniones atornilladas de seguridad crítica.

El controlador se utiliza como unidad de control y de supervisión para una o más herramientas en un lugar de trabajo. Se encuentra disponible un *software* de escritorio que permite el control remoto del controlador.

El controlador ya tiene un software instalado. Los ajustes mínimos para el atornillado deben ser llevados a cabo por una persona calificada mediante el controlador principal/maestro antes de empezar a atornillar.

## 4 Especificaciones técnicas

### Condiciones ambientales

Características	Datos
Lugar de uso	En interiores
Temperatura ambiente	0...45 °C <sup>1</sup>
Temperatura de almacenamiento	-20...70 °C
Tipo de enfriamiento	Convección (enfriamiento propio)
Humedad relativa del aire	10-90 % sin condensación
Altura de trabajo	Hasta 3000 m sobre el nivel del mar
Tipo de protección DIN EN 60529	IP42conexión a la red)
Clase de protección DIN EN61 140 (VDE 0140-1)	I
Grado de suciedad EN 61010	2
Sobretensión transitoria EN 61010	CAT II
Shock máx. DIN EN 60068-2-27	15 G
Vibración máx. DIN EN 60068-2-5	59.6–160 Hz: 2 G

1. Tome en cuenta la reducción. Vea el Manual del sistema

### Alimentación eléctrica

Características	Datos
Tensión de alimentación, monofásica	100–240 VCA ±10 %
Corriente nominal de alimentación	0.2 A
Frecuencia	50/60 Hz

Características	Datos
Corriente máxima	2.5 A
Potencia asignada	120 VA máx.
Operación en vacío	30 VA

### Referencias normativas

Para conocer las directivas CE relevantes, así como las normas aplicadas, vea la Declaración de conformidad CE.

Certificados	
Organismo emisor	TÜV SÜD AG
N.º de certificado	U8 78313 0005
Verificado según	<ul style="list-style-type: none"> <li>UL 61010-1:2012/R:2016-04</li> <li>CAN/CSA-C22.2 No.61010-1:2012/U2:2016-04</li> </ul>
N.º de certificado	N8A 78313 0007
Verificado según	<ul style="list-style-type: none"> <li>EN 61010-1:2010</li> </ul>
N.º de certificado	DE3-30943
Verificado según	<ul style="list-style-type: none"> <li>IEC 61010-1:2010</li> </ul>

### Datos del sistema

Características	Datos
Funciones del sistema	Reloj en tiempo real con búfer y batería, tiempo de almacenamiento en búfer: 20 años (a 20 °C)
Pantalla	Pantalla táctil LC con pantalla de cristal líquido TFT de 10.4" Resolución de 800 x 600; permite la conexión a Panel & Touch
Sistema operativo	Sistema operativo en tiempo real OS-9000, reinicializable sin disco duro mecánico; no requiere SAI
HMI (interfaz hombre-máquina)	Teclado virtual para entradas alfanuméricas

### Peso

Modelo	Peso*	
	lb	kg
mPro400GCD-M	21.3	9.7

## 5 Asignación de enchufes

Este capítulo describe el conector específico de Cleco Production Tools. No se consideran los conectores estándar. Todas las conexiones son a prueba de cortocircuitos.

### X5, X6 – Dispositivos adicionales

- Todas las salidas suministran señales conforme RS232.
- Las entradas permiten tensiones en un rango de -15 V a +15 V.
  - La tensión de < 0.8 V es igual a cero.
  - La tensión de > 2.4 V se interpreta como un uno.
  - Las entradas abiertas se preconfiguran a cero con una resistencia desplegable.

Los pines de alimentación están directamente conectados con la alimentación de la platina.



#### Aviso

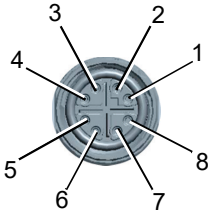
No enchufe ni desenchufe consumidores durante el funcionamiento. Podría producirse un reinicio del sistema.

Pin	X5 RS232-1	X6 RS232-2	Clavija D-Sub de 9 polos con bloqueo de tornillo
1	–	–	
2	RxD	RxD	
3	TxD	TxD	
4	–	–	
5	Tierra	Tierra	
6	–	–	
7	RTS	RTS	
8	CTS	CTS	
9	–	–	

### X7, X8 – Anybus CC

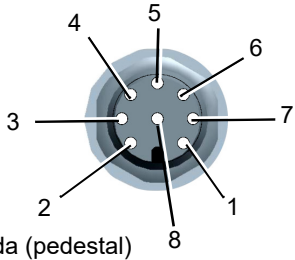
Ranuras de conexión para módulos Anybus CC (se pueden instalar más si se solicita)

### X21 – Bus de sistema TSnet Out

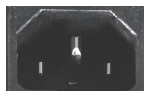
Pin	Señal	Conexión de enchufe redondo de 8 pol. M12, codificado X
1	Tx +	
2	Tx -	
3	Rx +	
4	Rx -	
5	0 VCC	
6	0 VCC	
7	+24 VCC	
8	+24 VCC	

### X22 – Bus de sistema ARCNET

Terminación de bus integrada. No se necesita ninguna conexión externa.

Pin	Señal	Conexión de enchufe redondo de 8 pol. M12, Codificación A
1	N.C.	
2	DATA-B	
3	Tierra	
4	+5 VCC	
5	DATA-A	
6	N.C.	
7	0 VCC	
8	+24 VCC	

### X23 – Conexión a la red

Descripción	Conector IEC C14
Conector con soporte de fusible de 2 polos, 5 × 20 mm, 2.5 A de acción retardada	



#### Aviso

Utilice el bloqueo de enchufe. Consulte P2361JH.

### X9, X10 – Entrada/salida

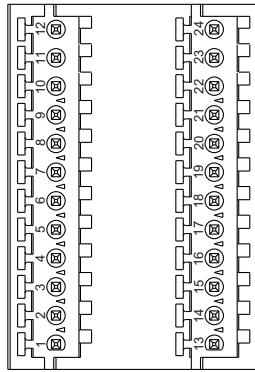
Estas conexiones de enchufe de entrada/salida tienen asignadas las interconexiones de señal necesarias. Las alimentaciones de los grupos de señal no están conectadas galvánicamente, se requiere su colocación por separado.

- 8 entradas / 8 salidas digitales, optoaisladas para un nivel de 24 V/0.5 A
- Corriente de salida: 500 mA por salida, 2,000 mA en total



#### Aviso

Un consumidor no debería necesitar más de 500 mA. El control de corriente desconecta la salida en caso de sobrecarga.

2 Phoenix MCD 0.5/24-G1-2.5 de 12 polos	
X9	X10
	
<b>Conectores</b> <b>Phoenix FK-MC 0.5/12-STZ3-2.5</b> <b>n.º de pedido: S981211</b>	

### Conexiones: suministro de tensión interno

Ejemplo:



Señal X9			Señal X10		
Pin	E/S	Designación	Pin	E/S	Designación
12		Suministro GND int.	24		Suministro GND int.
11		Suministro E/S GND	23		Suministro E/S GND
10	Salida	S3	22	Salida	S7
9	Salida	S2	21	Salida	S6
8	Salida	S1	20	Salida	S5
7	Salida	O0	19	Salida	S4
6	Entrada	I3	18	Entrada	E7
5	Entrada	E2	17	Entrada	E6
4	Entrada	E1	16	Entrada	E5
3	Entrada	E0	15	Entrada	E4
2		Suministro +24 V O	14		Suministro +24 V O
1		Suministro +24 V int.	13		Suministro +24 V int.

Entradas

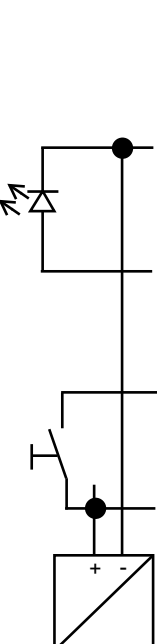
- Suministro de tensión externo de 24 voltios del controlador.
- Los pines 11 y 23 (junto con tierra) sirven como "conducto de retorno" para las salidas.
- Se debe utilizar la toma de tierra del suministro de tensión externo de 24 voltios para los pines 11 y 23.

Salidas

- Suministro de tensión externo de 24 voltios del controlador.
- Los pines 2 y 14 (junto con la salida) son la fuente de tensión para las entradas.
- Los pines 2 y 14 deben estar conectados con el suministro de tensión externo de 24 voltios

### Conexiones: suministro de tensión externo

Ejemplo:



Señal X9			Señal X10		
Pin	E/S	Designación	Pin	E/S	Designación
12		Suministro GND int.	24		Suministro GND int.
11		Suministro E/S GND	23		Suministro E/S GND
10	Salida	S3	22	Salida	S7
9	Salida	S2	21	Salida	S6
8	Salida	S1	20	Salida	S5
7	Salida	O0	19	Salida	S4
6	Entrada	I3	18	Entrada	E7
5	Entrada	E2	17	Entrada	E6
4	Entrada	E1	16	Entrada	E5
3	Entrada	E0	15	Entrada	E4
2		Suministro +24 V O	14		Suministro +24 V O
1		Suministro +24 V int.	13		Suministro +24 V int.

Entradas

- Suministro de tensión externo de 24 voltios del controlador.
- Los pines 11 y 23 (junto con tierra) sirven como "conducto de retorno" para las salidas.
- Se debe utilizar la toma de tierra del suministro de tensión externo de 24 voltios para los pines 11 y 23.

Salidas

- Suministro de tensión externo de 24 voltios del controlador.
- Los pines 2 y 14 (junto con la salida) son la fuente de tensión para las entradas.
- Los pines 2 y 14 deben estar conectados con el suministro de tensión externo de 24 voltios.

## 6 Acceso a memoria

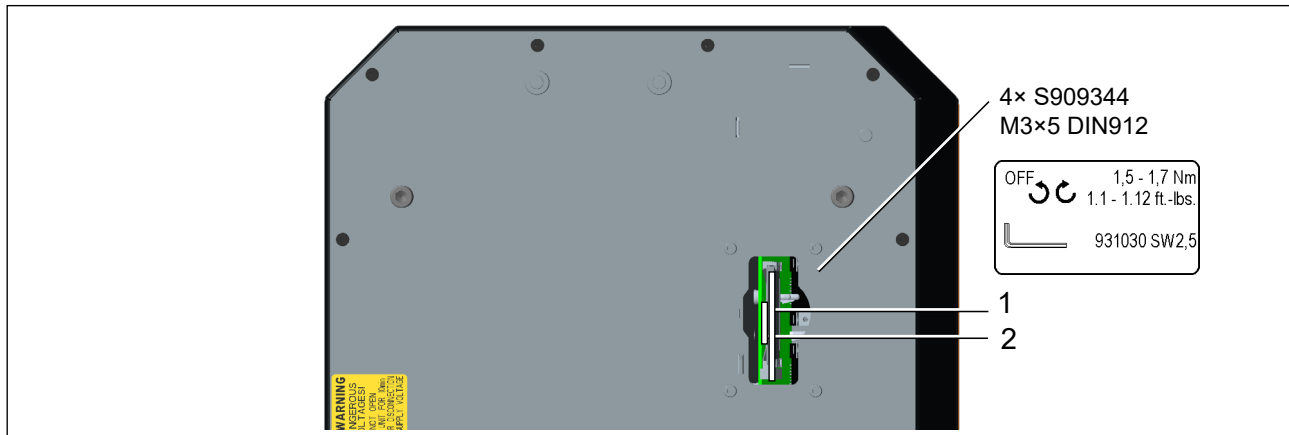


Fig. 6-1: Posición de las conexiones

Pos.	Designación	Función
1	Tarjeta CF (Compact Flash)	Sistema operativo, ficheros de archivo y aplicaciones. Incluida en el volumen del suministro.
2	Tarjeta SD, opcional	La función depende del software: actualización del software, guardar/cargar parámetros, ficheros de archivo de datos...



### Aviso

Quite o inserte la tarjeta CF únicamente con la tensión de alimentación desconectada. De lo contrario, puede producirse una grave falla del sistema y una pérdida de datos.

## 7 Volumen de suministro

Compruebe que la mercancía entregada no presente daños de transporte y que coincida con el volumen de suministro esperado:

- Controlador de apriete
- Declaración de conformidad CE
- Esta descripción del hardware
- Garantía

	Cable de alimentación UE 230 VCA N.º de pedido 541683-03		Cable de alimentación EE. UU. 115 VCA N.º de pedido 541683-01
	Bloqueo de enchufe N.º de pedido 544004-1		Cable de alimentación EE. UU. 230 VCA N.º de pedido 541683-02

# 1 À propos de cette description du matériel

La présente description contient des instructions concernant le réglage et l'utilisation des commandes. Les instructions logicielles sont fournies dans des guides de programmation distincts selon la version installée.

La langue d'origine de ce manuel descriptif est l'allemand.

## Demande logiciel

N° d'identification	Description
S168813 V1.8.0	Logiciel de commande standard
S168677	mPro-Remote Interface logicielle entre l'ordinateur externe et la commande

## Documents complémentaires

N° d'identification	Type
P1730E	Description du procédé Diagrammes de vissage
P2279SB	Manuel système NeoTek
P2361JH	Guide d'installation rapide Contrôleur global
P2280SW	Manuel de programmation Logiciel mPro400GC(...) standard
P3307C	Déclaration de conformité CE mPro400GCD-M

## Symboles dans le texte

- italique* Caractérise les options de menu (p. ex. Diagnostic), champs de saisie, cases à cocher, cases d'option ou menus déroulants.
- > Signale la sélection d'une option de menu, p. ex. *Fichier > Imprimer*
- <...> Caractérise les interrupteurs, boutons ou touches d'un clavier externe, par ex. <F5>
- Courier Caractérise les noms de fichier et les chemins d'accès aux fichiers □, p. ex. **setup.exe**
- Caractérise les listes, niveau 1
- Caractérise les listes, niveau 2

- a) Caractérise les options
- b) → Caractérise les résultats
- 1. (...) Caractérise les séquences d'étapes de manipulation
- 2. (...) ▶ Caractérise une étape de manipulation individuelle
- Centre de distribution et de maintenance* Centre de distribution et de maintenance Cleco Production Tools, voir dernière page

# 2 Sécurité

## 2.1 Exigences fondamentales

- ▶ Ne mettre la commande en service qu'après avoir lu et compris entièrement le présent document. Le non-respect des consignes de sécurité et des instructions peut avoir pour conséquence un choc électrique, un incendie et/ou des blessures graves.
- ▶ Conserver soigneusement ce document pour une utilisation ultérieure ! Tenir cette documentation à la disposition du constructeur, du monteur et du personnel chargé de la mise en service de la machine ou de l'installation, sur laquelle ce produit est utilisé.

## 2.2 Utilisation conforme à l'usage prévu

Le produit fait partie intégrante du système de vissage Cleco Production Tools et est destiné exclusivement pour les applications industrielles dans les processus de vissage. Utiliser la commande dans les conditions suivantes :

- Uniquement en relation avec les composants mentionnés dans la déclaration de conformité CE P3268C.
- Uniquement conformément aux conditions environnementales prescrites, voir la documentation concernée
- Uniquement avec la tension d'alimentation autorisée
- Uniquement dans la plage de puissances indiquée.
- Uniquement en classe de valeur limite CEM A (immunité aux parasites pour domaines industriels). Normes CEM actuellement respectées, voir déclaration de conformité CE.

## 2.3 Mauvais usage prévisible

Ne pas utiliser la commande

- dans les zones à risque d'explosion
- dans des locaux humides / à l'air libre
- en relation avec des outils de coupe (forets, fraises, meuleuses, etc.)
- dans des locaux non industriels (p. ex. secteur résidentiel)
- pour d'autres tâches que le vissage avec les composants mentionnés dans la déclaration de conformité.
- Le contournement des dispositifs de sécurité est interdit.

## 2.4 Formation du personnel

Ce système de vissage doit être mis en service, réglé et contrôlé uniquement par des personnes qualifiées et formées. Le personnel doit être instruit par des collaborateurs qualifiés<sup>1</sup> d'Apex Tool Group/Apex Tool Group, LLC. La commande a été préréglée par Apex Tool Group. Une adaptation de la commande à des exigences spéciales ne doit être effectuée que par une personne qualifiée<sup>1</sup>). Vous trouverez des informations complémentaires dans les instructions de programmation.

## 2.5 Équipement de protection individuelle

### Risque de blessure par enroulement et saisie

- ▶ Lors du travail en présence de pièces en rotation, le port de gants est interdit.
- ▶ Recommandation : outils de vissage avec dispositif de protection *u-GUARD* à rotation libre d'APEX.
- ▶ Porter des vêtements serrés.
- ▶ Portez des chaussures de sécurité.
- ▶ Le cas échéant, couvrez les cheveux d'un filet.

### Risque de blessures par la projection de pièces :

- ▶ Porter des lunettes de protection.

## 2.6 Représentation des avertissements

Les indications d'avertissement sont précédées d'un mot de signalisation et d'un pictogramme :

- Le mot de signalisation décrit la gravité et la probabilité du danger potentiel.
- Le pictogramme décrit le type de risque



### Danger

Un symbole en relation avec le mot **Danger** caractérise un danger imminent avec un **degré de risque élevé** qui, s'il n'est pas évité, peut avoir comme conséquence des blessures graves voire mortelles.



### Avertissement

Un symbole en relation avec le mot **Avertissement** caractérise un danger imminent avec un **degré de risque élevé** qui, s'il n'est pas évité, peut avoir comme conséquence des blessures graves voire mortelles.



### Attention

Un symbole en relation avec le mot **Attention** caractérise un danger avec un **degré de risque faible** qui, 'il n'est pas évité, peut avoir comme conséquence des blessures légères ou moyennes, ou encore des dégâts causés à l'environnement.

1.) Le personnel qualifié est, grâce à sa formation professionnelle, ses connaissances, son expérience et sa compréhension des circonstances des travaux à exécuter, en mesure de reconnaître les dangers potentiels et de prendre des mesures de sécurité adéquates. Le personnel qualifié doit respecter les règles.



### Remarque

Un symbole en relation avec le mot **Remarque** caractérise une **situation potentiellement dommageable** qui, si elle n'est pas évitée, peut avoir comme conséquence un endommagement de l'outil et des dégâts causés à l'environnement.



Remarques générales, qui contiennent des conseils d'utilisation et des informations utiles, mais toutefois aucun avertissement de mise en danger.

## 2.7 Symboles figurant sur le produit

Assurez-vous de comprendre leur signification avant toute utilisation :



Tension électrique



Conformité CE

Le produit est conforme aux spécifications techniques prescrites en Europe.



Lire toutes les instructions.



NRTL TÜV SÜD Mark  
Renvois normatifs, page 33



Débrancher la fiche de contact avant d'ouvrir l'appareil.

## 2.8 Avertissements de sécurité relatifs au système

Respectez les normes de sécurité et de raccordement nationales et locales pendant l'installation. Ces normes sont prioritaires sur les informations présentées dans cette section.

- ▶ N'apportez aucune modification au contrôleur, aux dispositifs de protection ou aux accessoires sans l'autorisation écrite préalable d'Apex Tool Group.
- ▶ N'essayez pas d'ouvrir le contrôleur ou les composants du contrôleur pour le dépannage ou d'autres travaux sur l'appareil. En cas de panne, toute intervention peut entraîner des blessures graves par électrocution.

Le fonctionnement avec l'appareil ouvert peut également entraîner les situations suivantes :

- Un niveau accru d'émissions : peut produire des interférences avec d'autres appareils.
- Une immunité réduite contre les interférences : peut produire des résultats erronés.
- La perte de la garantie.

### Un risque de blessure par électrocution

Le contrôleur et l'outil peuvent conduire du courant en cas de défaut. Un choc électrique peut entraîner un arrêt cardiaque, un arrêt respiratoire, des brûlures et des blessures graves ou mortelles.

- ▶ Avant de brancher les câbles d'alimentation et d'outils, de procéder à un changement, au nettoyage et à la mise hors service, mettez le contrôleur hors tension.
- ▶ N'utilisez pas le système de serrage lorsque le boîtier, le cordon ou l'outil est endommagé.

### Pendant l'installation

Risque d'écrasement

Le contrôleur peut tomber et écraser des parties du corps.

- ▶ Utilisez un palan approprié.
- ▶ Assurez-vous que le contrôleur est monté et fixé de façon rigide (reportez-vous au guide d'installation rapide).
- ▶ Organisez les câbles et les conduits de façon à éviter les dommages et les risques de trébuchement.
- ▶ Respectez les rayons de courbure admissibles des câbles.
- ▶ Ne dépassez pas la longueur totale du câble d'outil
  - Contrôleur Primary mPro400GCD-P(...) 45 m max.
  - Contrôleur Secondary mPro-400GCD-S(...) 30 m max.
  - En cas d'utilisation de la série d'outils 70 :
    - Jusqu'à 3 m de câble d'outil peuvent être utilisés avec un câble de rallonge de 25 m maximum.
    - Jusqu'à 6 m de câble d'outil peuvent être utilisés avec un câble de rallonge de 20 m maximum..
    - Les câbles d'outils de plus de 6 m ne doivent pas être rallongés.

En cas de défaut, des courants de fuite élevés peuvent apparaître et provoquer des blessures par électrocution.

- ▶ Utilisez le câble d'alimentation fourni. Lors du remplacement, utilisez un câble d'alimentation approprié.
- ▶ Pour les câbles 115 V c.a. de section supérieure, utilisez la référence 541683-01.

### Avant la mise en service

- ▶ Utilisez l'outil exclusivement avec une alimentation électrique mise à la terre (système TN). L'utilisation avec un système IT est interdite.
- ▶ Veillez à ce que la connexion PE soit conforme aux normes
- ▶ Avant la mise en service, effectuez la mesure du conducteur de protection conformément à la réglementation locale (en Allemagne, DGUV Regulation 3).
- ▶ Ne mettez pas le contrôleur sous tension tant que toutes les connexions n'ont pas été effectuées correctement (voir description du matériel).

### Danger dû à des mouvements dangereux

Un nombre insuffisant d'installations d'arrêt d'urgence peut avoir des conséquences potentiellement mortelles.

- ▶ La nécessité d'un arrêt d'urgence et son exécution est la responsabilité de l'utilisateur et de son analyse des risques !
- ▶ Mettez à disposition des installations d'arrêt d'urgence accessibles et efficaces. Le déverrouillage du dispositif d'arrêt d'urgence ne doit pas entraîner un redémarrage incontrôlé du système !
- ▶ Avant de mettre le système sous tension, vérifiez le bon fonctionnement des dispositifs d'arrêt d'urgence.

### Fonctionnement

- ▶ Arrêtez immédiatement le contrôleur en cas de bruit, de surchauffe ou de vibration inhabituel provenant de l'outil.
- ▶ Débranchez la fiche d'alimentation et faites vérifier et réparer le système de serrage par un personnel qualifié, si nécessaire.
- ▶ Ne retirez jamais la fiche d'alimentation de la prise de courant en tirant sur le cordon.
- ▶ Protégez les cordons de la chaleur, de l'huile, d'arêtes vives ou de pièces mobiles.
- ▶ Remplacez sans tarder les câbles endommagés.
- ▶ Assurez-vous que les connexions de l'outil et de la fiche entre le contrôleur et l'outil sont propres.
- ▶ Veillez à ce que le poste de travail ne soit pas encombré pour éviter des blessures et/ou de ne pas endommager les composants de serrage.
- ▶ Assurez-vous que le poste de travail offre suffisamment d'espace pour l'opération en cours.

### Danger dû à une mesure de couple incorrecte

Un serrage NOK non détecté peut avoir des conséquences pouvant être mortelles.

- ▶ Suite à une utilisation incorrecte (impact, surcharge mécanique, etc.), le réétalonnage (ou une analyse de la capacité) est essentiel.
- ▶ Pour les serrages de la catégorie A (VDI 2862) qui sont critiques en terme de sécurité, activez une mesure redondante (p. ex., redondance de courant).
- ▶ Mettez en place un suivi régulier de l'équipement de mesure pour l'équipement de fabrication associé.
- ▶ Avant d'utiliser le système de serrage, assurez-vous que tous les composants fonctionnent parfaitement. En cas de doute, contactez le *Centre de distribution et de maintenance*.

#### **Danger dû à un démarrage inattendu du moteur ou à un arrêt prévu, mais manquant**

Malgré les pièces de contrôleur redondantes et les fonctions de surveillance, dans de très rares cas, un démarrage inattendu de la machine peut se produire. Les raisons possibles peuvent inclure, sans se limiter : commande à distance des fonctions de diagnostic, dump binaire dans la mémoire du contrôleur.

Dangers mécaniques tels que chocs ou secousses dus à des contre-couples ; risque de blessures dues à l'enroulement et au grippage pouvant résulter de l'outil.

- ▶ Utilisez l'outil aux points de prise prévus à cet effet.
- ▶ Utilisez les dispositifs de réaction recommandés. Pour les couples de serrage, voir le manuel d'utilisation de l'outil.
- ▶ Après la mise sous tension du contrôleur, attendez que le cycle de démarrage soit terminé, environ 60 secondes, avant de le remettre hors tension.

#### **Utilisez les contrôleurs Secondary :**

En cas d'arrêt ou de défaillance du contrôleur Secondary, la communication du bus TSNet est interrompue. Cette perte de communication avec le contrôleur Primary / Master a des conséquences pour les contrôleurs Secondary :

- Aucun résultat n'est retourné au contrôleur Primary / Master.
- Aucun nouveau serrage n'est démarré.
- Un serrage en cours est signalé avec le message d'erreur SA (interruption par suppression du signal de démarrage) si la connexion TSNet a été interrompue pendant le serrage.
- Un signal d'arrêt n'est plus reçu et un arrêt est donc possible uniquement
  - via le bouton de démarrage de l'outil
  - après atteinte du critère d'arrêt
  - via un arrêt de sécurité après deux secondes

#### **AVERTISSEMENT !**

Durant le fonctionnement à distance (configuration à plusieurs outils), une interruption du bus TSNet conduit à un arrêt temporisé de la broche / de l'outil. Ce délai est de 2 secondes.

#### **Maintenance**

- ▶ Le contrôleur est de façon générale exempt de maintenance.
- ▶ Tenez compte des réglementations locales en matière de maintenance et d'entretien pour toutes les phases d'exploitation du système de serrage.

#### **Nettoyage**

- ▶ Ne nettoyez l'extérieur de l'outil qu'avec un chiffon sec ou légèrement humide.
- ▶ N'immergez pas le contrôleur ou les outils dans des liquides.
- ▶ N'utilisez pas un nettoyeur haute pression.

#### **Réparation**

Les réparations de l'équipement ne sont pas permises.

- ▶ Envoyez le contrôleur à un Cleco Production Tools *Centre de distribution et de maintenance* autorisé.

#### **Mise au rebut**

Certains composants du système de serrage présentent des risques potentiels pour la santé et l'environnement. Le système de serrage contient des composants pouvant être recyclés, ainsi que des composants présentant des exigences spécifiques en matière de mise au rebut.

- ▶ Suivez les prescriptions locales applicables.
- ▶ Séparez d'abord les composants, puis mettez-les au rebut.
- ▶ Collectez les matières consommables (huiles, graisses) lors de la vidange et mettez-les au rebut conformément aux prescriptions.
- ▶ Séparez les composants de l'emballage et jetez-les conformément aux réglementations locales.
- ▶ Retournez l'équipement défectueux à un point de collecte agréé ou retournez-le au *Centre de distribution et de maintenance*.



Respectez les réglementations locales concernant la mise au rebut des appareils électroniques et des piles / batteries. (En Allemagne, il s'agit de la loi sur les équipements électriques et électroniques (ElektroG) et de la loi sur les batteries (BattG)) :

- ▶ Les piles / batteries usagées doivent être mises au rebut de façon appropriée. Retournez les piles / batteries épuisées ou défectueuses à un centre de collecte agréé ou au *Centre de distribution et de maintenance* pour recyclage.



### 3 Description du produit

Commande pour une utilisation dans le cas de vissages critiques en terme de sécurité.

La commande est utilisée comme unité de commande et de surveillance pour un ou plusieurs outils sur un lieu de travail. Le logiciel de bureau est disponible pour permettre la commande à distance du contrôleur.

Un logiciel est déjà installé sur la commande. Les réglages de base selon le type de vissage doivent être exécutés par une personne qualifiée avec la commande pour pouvoir procéder au vissage.

### 4 Caractéristiques techniques

#### Conditions ambiantes

Caractéristiques	Valeurs
Lieu d'utilisation	Dans les espaces intérieurs
Température ambiante	0...45 °C <sup>1</sup>
Température de stockage	-20...70 °C
Type de refroidissement	Convection (refroidissement indépendant)
Humidité relative	10...90 % sans condensation
Altitude de travail	jusqu'à 3 000 m au-dessus du niveau de la mer
Indice de protection selon DIN EN 60529	IP42arrêt connecteur
Classe de protection DIN EN61 140 (VDE 0140-1)	I
Degré d'encrassement EN 61010	2
Surtension transitoire EN 61010	CAT II
Chocs max. DIN EN 60068-2-27	15 G
Vibrations max. DIN EN 60068-2-5	59,6–160 Hz : 2 G

1. Tenir compte du déclassement. Voir le manuel système

#### Alimentation électrique

Caractéristiques	Valeurs
Tension d'alimentation, monophasée	100–240 V CA ±10 %) <sup>1</sup>
Courant nominal d'alimentation	0,2 A
Fréquence	50/60 Hz

Caractéristiques	Valeurs
Courant maximal	2,5 A
Puissance nominale	120 VA max.
Marche à vide	30 VA

1. En cas de fonctionnement en dehors des limites de tension admissibles, le bloc d'alimentation intégré se met en mode de protection et se coupe. Ce mode de protection peut être réinitialisé par un redémarrage de la commande.

#### Renvois normatifs

Pour les directives et normes CE relatives aux produits, voir la déclaration de conformité CE.

Certificats	
Organisme émetteur	TÜV SÜD AG
N° de certificat	U8 78313 0005
Testé selon	<ul style="list-style-type: none"> <li>• UL 61010-1:2012/R:2016-04</li> <li>• CAN/CSA–C22.2 No.61010-1:2012/U2:2016-04</li> </ul>
N° de certificat	N8A 78313 0007
Testé selon	<ul style="list-style-type: none"> <li>• EN 61010-1:2010</li> </ul>
N° de certificat	DE3-30943
Testé selon	<ul style="list-style-type: none"> <li>• CEI 61010-1:2010</li> </ul>

#### Données système

Caractéristiques	Valeurs
Fonctions système	Horloge temps réel sauvegardée par un accumulateur, autonomie : 20 ans (à 20 °C)
Affichage	Écran LC tactile, afficheur à cristaux liquides TFT 10,4", Résolution 800 x 600, connexion possible écran et tactile
Système d'exploitation	Système d'exploitation en temps réel OS-9000, bootable sans unité à mouvement mécanique, pas d'ASC nécessaire
IHM (Interface Homme Machine)	Clavier virtuel pour les entrées alphanumériques

#### Poids

Modèle	Poids	
	lb	kg
mPro400GCD-M	21.3	9,7

## 5 Disposition des connecteurs

Ce chapitre décrit le connecteur spécifique à Cleco Production Tools. Les connecteurs standard ne sont pas considérés. Toutes les connexions sont résistantes au court-circuit.

### X5, X6 – Appareils supplémentaires


- Toutes les sorties envoient des signaux conformes à la norme RS232.
- Les entrées permettent des tensions dans une plage comprise entre -15 V et +15 V.
  - Une tension < 0,8 V correspond à un 0.
  - Une tension > 2,4 V est interprétée comme 1.
  - Les entrées ouvertes sont pré-réglées sur 0 avec une résistance de rappel.

Les broches d'alimentation sont directement reliées à l'alimentation de la platine.



#### Remarque

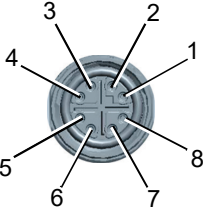
Ne pas introduire ni retirer de charges électriques en mode Marche. Cela peut entraîner une réinitialisation du système.

Broche	X5 RS232-1	X6 RS23-2	Connecteur mâle Sub-D 9 points avec verrouillage à vis
1	–	–	
2	RxD	RxD	
3	TxD	TxD	
4	–	–	
5	GND	GND	
6	–	–	
7	RTS	RTS	
8	CTS	CTS	
9	–	–	

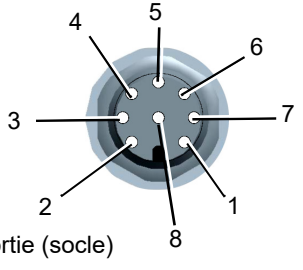
### X7, X8 – Anybus CC

Logements pour modules Anybus CC (d'autres sont possibles sur demande)

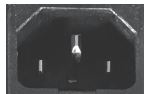
### X21 – Bus système TSnet Out

Broche	Signal	8 broches M12 Connecteurs circulaires, x codé
1	Tx +	
2	Tx -	
3	Rx +	
4	Rx -	
5	0 VDC	
6	0 VDC	
7	+24 VDC	
8	+24 VDC	

### X22 – Systembus ARCNET

Broche	Signal	8 broches. M12 Connecteurs circulaires A codé
1	N.C.	
2	DATA-B	
3	GND	
4	+5 VDC	
5	DATA-A	
6	N.C.	
7	0 VDC	
8	+24 VDC	

### X23 – Branchement au réseau

Description	Fiche secteur CEI C14
Fiche secteur avec porte-fusible bipolaire, 5 × 20 mm, 2,5 A lent	



#### Remarque

Utiliser l'arrêt connecteur. Voir P2361JH.

### X9, X10 – Entrée/Sortie

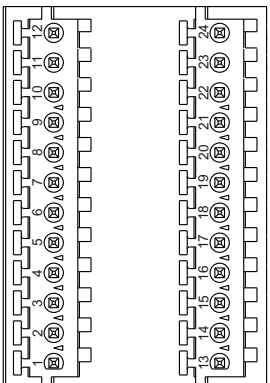
Le câblage des signaux nécessaire est mis en place au niveau de ces connecteurs d'entrée/de sortie. Les alimentations des groupes de signaux ne sont pas reliées galvaniquement. Une pose distincte est nécessaire.

- 8 entrées / 8 sorties, opto-isolées pour niveau 24V / 0,5 A
- Courant de sortie : 500 mA par sortie, 2000 mA au total



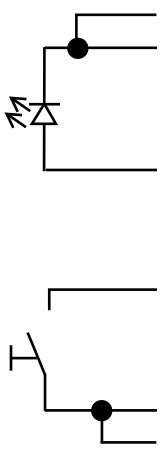
#### Remarque

Un consommateur ne doit pas consommer plus de 500 mA. La surveillance du courant désactive la sortie en cas de surintensité.

Phoenix MCD 2x12 points 0.5/24-G1-2.5	
X9	X10
	
<b>Contre-connecteur</b> <b>Phoenix FK-MC 0,5/12-STZ3-2,5</b> <b>N° de commande : S981211</b>	

## Connexions – Alimentation électrique interne

Exemple:



Signal X9			Signal X10		
Broche	E/S	Désignation	Broche	E/S	Désignation
12		Alimentation GND Int.	24		Alimentation GND Int.
11		Alimentation GND I/O	23		Alimentation GND I/O
10	Sortie	O3	22	Sortie	O7
9	Sortie	O2	21	Sortie	O6
8	Sortie	O1	20	Sortie	O5
7	Sortie	O0	19	Sortie	O4
6	Entrée	I3	18	Entrée	I7
5	Entrée	I2	17	Entrée	I6
4	Entrée	I1	16	Entrée	I5
3	Entrée	I0	15	Entrée	I4
2		Alimentation +24 V O	14		Alimentation +24 V O
1		Alimentation +24 V Int.	13		Alimentation +24 V Int.

Entrées

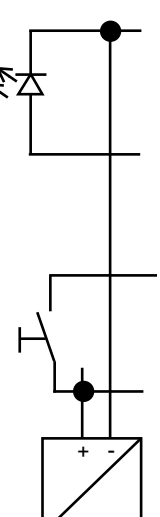
- Alimentation 24 V interne de la commande.
- Les broches 11 et 23 (GND commune) servent de "retour" pour les sorties.
- Les broches 11 et 23 doivent être reliées respectivement aux broches 12 et 24 à l'aide de ponts enfichables.

Sorties

- Alimentation 24 V interne de la commande
- Les broches 2 et 14 (sortie commune) sont la source de tension pour les entrées.
- Les broches 2 et 14 doivent être reliées respectivement aux broches 1 et 13.

## Connexions – Alimentation électrique externe

Exemple:



Signal X9			Signal X10		
Broche	E/S	Désignation	Broche	E/S	Désignation
12		Alimentation GND Int.	24		Alimentation GND Int.
11		Alimentation GND I/O	23		Alimentation GND I/O
10	Sortie	O3	22	Sortie	O7
9	Sortie	O2	21	Sortie	O6
8	Sortie	O1	20	Sortie	O5
7	Sortie	O0	19	Sortie	O4
6	Entrée	I3	18	Entrée	I7
5	Entrée	I2	17	Entrée	I6
4	Entrée	I1	16	Entrée	I5
3	Entrée	I0	15	Entrée	I4
2		Alimentation +24 V O	14		Alimentation +24 V O
1		Alimentation +24 V Int.	13		Alimentation +24 V Int.

Entrées

- Alimentation 24 V externe de la commande.
- Les broches 11 et 23 (GND commune) servent de "retour" pour les sorties.
- La masse (GND) de l'alimentation 24 V externe doit être utilisée comme retour pour les broches 11 et 23.

Sorties

- Alimentation 24 V externe de la commande.
- Les broches 2 et 14 (sortie commune) sont la source de tension pour les entrées.
- Les broches 2 et 14 doivent être reliées à l'alimentation 24V externe.

## 6 Accès à la mémoire, mémoire portable

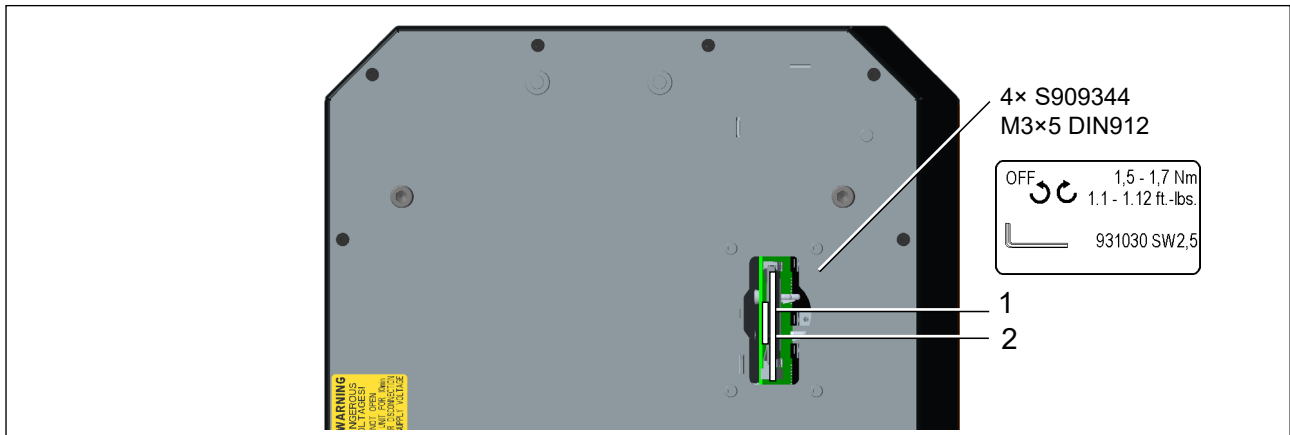


Fig. 6-1: Emplacement des connecteurs

N°.	Désignation	Funktion
1	Carte CF (Compact Flash)	Indispensable pour le système d'exploitation, les fichiers d'archives et les applications. Incluse dans la livraison
2	Carte SD (en option)	La fonction dépend du logiciel : mise à jour logicielle, mémoriser/charger les paramètres, fichiers archives de données...



### Remarque

Insérer ou sortir la carte CF uniquement en mode hors tension. Si vous ne respectez pas cette consigne, vous vous exposez à de sérieux risques d'erreurs système et de perte des données..

## 7 Volume de livraison

Vérifier que la livraison ne présente aucun endommagement dû au transport et que le produit fourni est complet :

- Commande mPro400GCD-M
- Déclaration de conformité CE
- La présente description du matériel
- Garantie
- Dépend du modèle :

	Câble réseau Europe 230 V C.A. Réf. 541683-03		Câble réseau États-Unis 115 V C.A. Réf. 541683-01
	Arrêt connec- teur Réf. 1× 544004-1		Câble réseau États-Unis 230 V C.A. Réf. 541683-02

# 1 Informacje dotyczące tego opisu

Ten opis zawiera informacje dotyczące konfiguracji i użytkownika sterownika:

Instrukcje dotyczące oprogramowania podano w osobnych instrukcjach programowania, w zależności od zainstalowanej wersji.

Oryginalnym językiem tego opisu jest język niemiecki.

## Wymagania oprogramowania

Nr identyfikacyjny	Opis
S168813	Oprogramowanie sterujące Standard
V1.8.0	
S168677	mPro-Remote Interfejs programowy pomiędzy komputerem zewnętrznym i systemem sterowania

## Pozostałe dokumenty

Nr identyfikacyjny	Rodzaj
P1730E	Opis procesu Wykresy wkręcania
P2279SB	Systemhandbook NeoTek
P2361JH	Quick Installation Guide Global Controller
P2280SW	Instrukcja programowania mPro400GC(...) Standard SW
P3307C	Deklaracja zgodności WE mPro400GCD-M

## Symbole użyte w tekście

<i>kursywa</i>	Oznacza opcje menu (np. Diagnostyka), pola wprowadzania, przyciski wyboru, pola opcji lub menu rozwijane.
>	Oznacza wybór jednej z opcji menu, np. <i>Plik &gt; Drukuj</i>
<...>	Oznacza przełączniki, przyciski lub klawisze zewnętrznej klawiatury, np. <F5>
Courier	Oznacza nazwę pliku i ścieżkę, np. <b>setup.exe</b>
•	Oznacza listy, poziom 1
-	Oznacza listy, poziom 2
a)	Oznacza opcje
b)	
→	Oznacza rezultaty
1. (...)	Oznacza kolejne etapy postępowania
2. (...)	
▶	Oznacza pojedynczy krok postępowania
Sales & Service Center	Cleco Production Tools Sales & Service Center, patrz ostatnia strona

# 2 Bezpieczeństwo

## 2.1 Wymagania podstawowe

- ▶ Pracę ze sterownikiem rozpoczynać dopiero po przeczytaniu i pełnym zrozumieniu niniejszego dokumentu. Nieprzestrzeganie instrukcji bezpieczeństwa i poleceń może spowodować porażenie prądem, pożar i/lub ciężkie obrażenia.
- ▶ Niniejszy dokument należy starannie przechowywać do późniejszego użycia! Tę dokumentację trzeba udostępnić konstruktorowi, monterowi i pracownikom odpowiedzialnym za uruchomienie maszyny lub urządzenia, w którym będzie zastosowany ten produkt.

## 2.2 Użytkowanie zgodne z przeznaczeniem

Produkt stanowi część systemu wkrętarskiego Cleco Production Tools i jest przeznaczony wyłącznie do użytku przemysłowego podczas procesów wkrętarskich. Sterownik użytkować po spełnieniu następujących warunków:

- Wyłącznie w połączeniu z podzespołami wymienionymi w przynależnej deklaracji zgodności WE.
- Wyłącznie w nakazanych warunkach otoczenia, patrz właściwa dokumentacja.
- Tylko z dopuszczalnym napięciem zasilającym.
- Tylko w podanym zakresie mocy.
- Tylko w zakresie klasy EMC A (odporność na zakłócenia w środowisku przemysłowym). Obecnie przestrzegane normy EMC – patrz „Deklaracja zgodności WE”.

## 2.3 Możliwe do przewidzenia niewłaściwe zastosowanie

Nie stosować sterownika

- w przestrzeniach zagrożonych wybuchem
- w pomieszczeniach wilgotnych/na zewnątrz
- razem z narzędziami skrawającymi (wiertarkami, frezarkami, szlifierkami itp.);
- w obszarze nieprzemysłowym (np. w mieszkaniach);
- do innych zadań niż połączenia gwintowe z zastosowaniem podzespołów wymienionych w Deklaracji zgodności.
- Mostkowanie elementów zabezpieczających jest nie-  
dozwolone.

Kwalifikacje personelu  
Spis treści  
Spis treści  
Spis treści  
Uruchamianiem, nastawianiem i kontrolą systemu sterowania wkrętarkami mogą się zajmować wyłącznie wykwalifikowane i wykształcone osoby. Pracownicy muszą otrzymać instruktaż przeprowadzony przez wykwalifikowanego pracownika <sup>1</sup> firmy Apex Tool Group.

Sterownik jest skonfigurowany przez Apex Tool Group. Dostosowaniem sterownika do specjalnych wymagań może się zająć wyłącznie wykwalifikowana osoba <sup>1</sup>. Dalejsze informacje podano w instrukcji programowania.

1.) Wykwalifikowany personel posiada wykształcenie zawodowe, wiedzę, doświadczenie oraz potrafi właściwie ocenić okoliczności wykonywanych prac, zidentyfikować możliwe zagrożenia oraz zastosować odpowiednie środki bezpieczeństwa. Wykwalifikowani pracownicy muszą przestrzegać reguł.

## 2.4 Środki ochrony indywidualnej

### Niebezpieczeństwo zranienia przez wciągnięcie

- ▶ Przy wykonywaniu prac przy obracających się częściach noszenie rękawic jest zabronione. Zalecenie: zastosować narzędzia wkrętarskie swobodnie obracające się w otulinie ochronnej *u-GUARD* firmy APEX.
- ▶ Nosić ciasno przylegającą odzież.
- ▶ Nosić buty ochronne.
- ▶ Ew. nosić siatkę ochronną na włosy.

### Niebezpieczeństwo odniesienia obrażeń ciała stwarzane przez wyrzucanie części:

- ▶ Nosić okulary ochronne.

## 2.5 Informacje dotyczące prezentacji informacji

Informacje ostrzegawcze są oznaczone symbolem i hasłem ostrzegawczym:

- Hasło ostrzegawcze opisuje stopień ciężkości i prawdopodobieństwo zagrożenia.
- Symbol przedstawia rodzaj zagrożenia



### Niebezpieczeństwo

Symbol występujący w połączeniu ze słowem **Zagrożenie** oznacza zagrożenie o **wysokim stopniu ryzyka**, wskutek którego może dojść do śmierci lub ciężkich obrażeń ciała.



### Ostrzeżenie

Symbol występujący w połączeniu ze słowem **Ostrzeżenie** oznacza zagrożenie o **średnim stopniu ryzyka**, wskutek którego może dojść do śmierci lub ciężkich obrażeń.



### Przestroga

Symbol występujący w połączeniu ze słowem **Ostrzeżenie** oznacza zagrożenie o **średnim stopniu ryzyka**, wskutek którego może dojść do nieznacznych obrażeń ciała lub zagrożenia dla środowiska naturalnego.



### Informacja

Piktogram w połączeniu ze słowem **Uwaga** oznacza **zagrożenie**, które w przypadku zlekceważenia może spowodować uleczalne uszkodzenie ciała lub szkody materialne.



Informacje ogólne zawierają porady dotyczące stosowania i użyteczne informacje, nie są jednak ostrzeżeniami przed zagrożeniami.

## 2.6 Symbole umieszczone na produkcie



Napięcie elektryczne



Zgodność z CE  
Produkt spełnia obowiązujące w Europie wymogi techniczne.



Dokładnie przeczytać instrukcję obsługi.



NRTL TÜV SÜD Mark  
4 Dane techniczne, strona 41



**WARNING**

Przed otwarciem sterownika odłączyć wtyk zasilający.

## 2.7 Instrukcje bezpieczeństwa istotne dla systemu

Podczas instalacji przestrzegać krajowych, federalnych oraz lokalnych norm bezpieczeństwa i przyłączania. Normy te mają pierwszeństwo przed wszystkimi zaleceniami z tego rozdziału.

- ▶ W układzie sterowania, urządzeniach ochronnych lub elementach osprzętu nie wprowadzać żadnych zmian bez wcześniejszego pisemnego zezwolenia firmy Apex Tool Group/Apex Tool Group, LLC.
- ▶ Układu sterowania ani elementów układu sterowania nie otwierać ani w celu usuwania usterek, ani w celu przeprowadzenia innych prac w urządzeniu. W przypadku wystąpienia usterki ingerencja każdego rodzaju może spowodować poważne obrażenia przez porażenie prądem.

Ponadto praca przy otwartym urządzeniu wywołuje:

- Zwiększenie emisji zakłóceń: zakłócenie pracy innych urządzeń.
- Zmniejszenie odporności na zakłócenia: układ sterowania może dostarczać błędne wyniki.
- Utrata gwarancji.

### Niebezpieczeństwo porażenia prądem

W przypadku wystąpienia usterki układ sterowania lub narzędzie mogą przewodzić napięcie. Porażenie prądem może spowodować zatrzymanie akcji serca, oddechu, poparzenia i ciężkie obrażenia, a nawet śmierć.

- ▶ Przed przyłączeniem kabla sieciowego lub narzędzia, podczas przezbrajania, czyszczenia lub wyłączenia z użytkowania wyłączyć układ sterowania.
- ▶ Nie użytkować systemu wkrętarskiego w razie stwierdzenia uszkodzenia obudowy, kabli lub narzędzia.

## Podczas instalacji

### Niebezpieczeństwo zmiążdżenia

Układ sterowania może spaść i zmiążdżyć części ciała.

- ▶ Stosować odpowiednie urządzenia podnośnikowe.
- ▶ Upewnić się, że układ sterowania jest dobrze zamontowany i zabezpieczony (patrz skrócona instrukcja).
- ▶ Kable i przewody układać tak, aby nie powstały żadne uszkodzenia ani miejsca grożące potknięciem.
- ▶ Zachować dopuszczalny promień zgięcia kabli.
  
- ▶ Nie przekraczać łącznej długości kabla narzędzia.
  - Nadrzędny układ sterowania mPro400GCD-P(...) maks. 45 m
  - Wtórny układ sterowania mPro-400GCD-S(...) maks. 30 m
  - W przypadku korzystania z narzędzia serii 70 obowiązuje:
    - Kabli narzędzi o długości maks. 3 m można używać z kablami przedłużającymi o długości maks. 25 m.
    - Kabli narzędzi o długości maks. 6 m można używać z kablami przedłużającymi o długości maks. 20 m.
    - Kabli narzędzi o długości ponad 6 m nie wolno przedłużać.

W przypadku awarii mogą wystąpić wysokie prądy upływowe i spowodować obrażenia przez porażenie prądem.

- ▶ Stosować dołączony przewód sieciowy. W przypadku wymiany stosować przewód sieciowy spełniający takie same normy.
- ▶ Jeżeli napięcie to 115 V AC: stosować kable o większym przekroju. Nr katalogowy 541683-01.

### Przed uruchomieniem

- ▶ Użytkować tylko w sieci uziemionej (sieć TN). Użytkowanie w sieci IT jest niedozwolone.
- ▶ Zapewnić przyłączenie przewodu PE zgodnie z normą.
- ▶ Przed pierwszym uruchomieniem przeprowadzić pomiar przewodu ochronnego zgodnie z obowiązującymi przepisami lokalnymi (w Niemczech DGUV przepis 3).
- ▶ Układ sterowania włączyć dopiero po właściwym przyłączeniu wszystkich elementów (patrz opis sprzętu).

### Niebezpieczeństwo odniesienia obrażeń ciała stwarzane przez niekontrolowane ruchy

Zastosowanie niewystarczających urządzeń zatrzymania awaryjnego może spowodować skutki groźne dla życia.

- ▶ Konieczność zastosowania urządzeń zatrzymania awaryjnego i ich dobór oraz analiza ryzyka należą do obowiązków użytkownika!
- ▶ Zapewnić łatwo dostępne i skuteczne urządzenia zatrzymania awaryjnego. Odblokowanie urządzenia zatrzymania awaryjnego może wywołać niekontrolowane ponowne uruchomienie instalacji!
- ▶ Przed włączeniem instalacji sprawdzić sprawność działania urządzeń zatrzymania awaryjnego.

### Niebezpieczeństwo stwarzane przez nieprawidłowy pomiar prędkości obrotowej

W przypadku gdy nierozpoznane pozostanie nieprawidłowe skrócenie, wówczas taki stan może stworzyć zagrożenie dla życia.

- ▶ W przypadku nieprawidłowego użycia (upadek narzędzia, przeciążenie mechaniczne) konieczne przeprowadzić rekaliibrację lub kontrolę sprawności).
- ▶ W celu wykonania połączeń gwintowanych o kluczowym znaczeniu dla bezpieczeństwa w kategorii A (VDI 2862) należy włączyć pomiar nadmiarowości (np. nadmiarowości prądowej).
- ▶ Wprowadzić okresowe monitorowanie środków pomiarowych maszyny i narzędzi.
- ▶ Pracować wyłącznie z zastosowaniem niezawodnie działających systemów wkrętarskich. W razie wątpliwości skontaktować się z *Sales & Service Center*.

### W trakcie pracy

- ▶ W przypadku stwierdzenia nietypowych odgłosów, rozgrzania lub wibracji natychmiast wyłączyć układ sterowania.
- ▶ Odłączyć wtyczkę sieciową i wezwać wykwalifikowany personel w celu wykonania kontroli, w razie potrzeby oddać do naprawy.
- ▶ Nigdy nie wyciągać wtyczek z kontaktu ciągnąc za kabel.
- ▶ Chronić kable przed wysoką temperaturą, olejem, ostrymi krawędziami lub częściami ruchomymi.
- ▶ Natychmiast wymieniać uszkodzone kable.
- ▶ Utrzymywać czystość złączy narzędziowych i wtykowych łączących układ sterowania z narzędziem.
- ▶ Zachować porządek na stanowisku pracy, aby zapobiec odniesieniu obrażeń ciała lub uszkodzeniom podzespołów wkrętarskich.
- ▶ Zapewnić dostateczną ilość miejsca na stanowisku pracy.

### Zastosowanie wtórnego układu sterowania w topologii liniowej:

W przypadku wyłączenia lub awarii wtórnego układu sterowania następuje przerwanie komunikacji z magistralą TSNet. Taka utrata komunikacji z nadrzędnym/master układem sterowania wywołuje następujące skutki we wtórnym układzie sterowania:

- Do nadrzędnego/master układu sterowania nie są zgłaszane żadne wyniki.
- Nie rozpoczynają się nowe wkręcania.
- W już trwającym wkręcaniu występuje błąd SA (przerwanie wskutek zabrania sygnału startowego), jeżeli przerwano połączenie TSNet w czasie wkręcania.

- Brak odbioru sygnału wyłączającego, a wskutek tego wyłączenie możliwe tylko
- naciśnięciem przycisku startowego narzędzia,
- po osiągnięciu kryterium wyłączającego lub
- przez wyłączenie zabezpieczające po upływie dwóch sekund.

#### OSTRZEŻENIE!

W czasie trybu Remote-Start (w przypadku sterowania wieloma wkrętarkami) przerwanie komunikacji z magistralą TSNet wywołuje opóźnione zatrzymanie wbudowanej wkrętarki/narzędzia. To opóźnienie wynosi 2 sekundy.

#### Niebezpieczeństwo nieoczekiwanego uruchomienia silnika lub oczekiwanego, ale niedziałającego zatrzymania

Pomimo nadmiarowości elementów sterujących i funkcji nadzorujących w bardzo rzadkich przypadkach można nastąpić nieoczekiwane uruchomienie silnika. Możliwa przyczyna: uruchomienie funkcji diagnostycznych przez zdalne sterowanie, nieprawidłowa wartość bitu w pamięci systemu sterowania.

W zależności od narzędzia mogą wystąpić zagrożenia mechaniczne, takie jak odrzut, szarpnięcie wskutek momentu reakcji, niebezpieczeństwo odniesienia obrażeń ciała wskutek nawinięcia i pochwycenia.

- ▶ Używać narzędzia chwytając je tylko za wyznaczone punkty chwytne.
- ▶ Zastosować przewidziane uchwyty reakcyjne. Wartości momentów obrotowych – patrz instrukcja obsługi narzędzia.
- ▶ Po włączeniu układu sterowania poczekać na zakończenie procesu rozruchu. Z reguły trwa on 60 s. Potem ponownie wyłączyć/włączyć.

#### Podczas konserwacji

- ▶ Układ sterowania generalnie jest bezobsługowy.
- ▶ Uwzględnić lokalne przepisy dotyczące obsługi technicznej i utrzymywania ruchu we wszystkich fazach eksploatacji systemu wkrętarskiego.

#### Podczas czyszczenia

- ▶ Narzędzie czyścić tylko z zewnątrz, suchą lub lekko zwilżoną szmatką.
- ▶ Nigdy nie zanurzać w płynach układu sterowania ani narzędzia.
- ▶ Nie stosować myjek ciśnieniowych.

#### Podczas naprawy

Naprawy urządzenia są zabronione.

- ▶ Wysłać układ sterowania do autoryzowanego Cleco Production Tools *Sales & Service Center*.

#### Podczas utylizacji

Podzespoły systemu wkrętarskiego stwarzają potencjalne zagrożenia dla zdrowia i środowiska. System wkrętarski składa się z podzespołów, które można poddać ponownemu przetwarzaniu, oraz takich, które wymagają specjalnych procedur recyklingowych.

- ▶ Przestrzegać przepisów lokalnych.
- ▶ Przed utylizacją rozłączyć elementy.
- ▶ Substancje pomocnicze (oleje, smary) zebrać po spuszczeniu i zutylizować we właściwy sposób.
- ▶ Elementy opakowania oddzielić i zutylizować zgodnie z materiałami wykonania.
- ▶ Narzędzia i uszkodzone układy sterowania oddać do właściwego punktu zbiórki albo odesłać w celu recyklingu do *Sales & Service Center*.



Przestrzegać lokalnie obowiązujących przepisów dotyczących utylizacji elementów elektronicznych i akumulatorów (w Niemczech zgodnie z ustawą o urządzeniach elektrycznych i elektronicznych (ElektroG) oraz ustawą o akumulatorach (BattG)):

- ▶ Zużyte akumulatory należy utylizować we właściwy sposób. Rozładowane lub wadliwe akumulatory oddać do właściwego punktu zbiórki albo odesłać w celu recyklingu do *Sales & Service Center*.



### 3 Opis produktu

Sterownik do zastosowania w przypadku połączeń gwintowych krytycznych dla bezpieczeństwa.

Sterownik w pierwszej linii służy jako jednostka sterująca nadzorująca jedno narzędzie lub zespół narzędzi stacji roboczej. W zależności od zakupionych urządzeń peryferyjnych, sterownik można zainstalować także poza środowiskiem roboczym.

Aby rozpocząć tworzenie połączeń gwintowych, wykwalifikowana osoba musi wprowadzić ustawienia dokręcania z zastosowaniem sterownika lub oprogramowania dla komputera zdalnego (mProRemote). Dalsze informacje dotyczące obsługi oprogramowania podano w podręczniku programowania mPro400GCD.

### 4 Dane techniczne

#### Warunki otoczenia

Cechy	Dane
Miejsce zastosowania	W pomieszczeniach wewnątrz budynków
Temperatura otoczenia	0...45 °C <sup>1</sup>
Temperatura przechowywania	-20–70 °C
Rodzaj chłodzenia	Konwekcyjne (chłodzenie własne)
Względna wilgotność powietrza	10–90% brak obroszenia
Wysokość robocza	Do 3000 m n.p.m.
Stopień ochrony IP DIN EN 60529	IP42
Klasa ochrony DIN EN61 140 (VDE 0140-1)	I
Stopień zanieczyszczeń EN 61010	2
Przebieżenie przejściowe EN 61010	CAT II
Wstrząs maks. DIN EN 60068-2-27	15 G
Drgania maks. DIN EN 60068-2-5	59,6–160 Hz: 2 G

- Zwracać uwagę na redukcję wartości znamionowej. Patrz podręcznik systemu

#### Zasilanie elektryczne

Cechy	Dane
Napięcie zasilające, jednofazowe	100–240 V AC ±10% <sup>1</sup>
Znamionowy prąd zasilający	0,2 A
Częstotliwość	50/60 Hz

Cechy	Dane
Wartość szczytowa prądu	2,5 A
Moc znamionowa	120 VA maks.
B. jał.	30 VA

- W przypadku użytkowania poza dopuszczalnymi granicami napięcia, zintegrowany zasilacz przełącza się w tryb ochronny i wyłącza. Ten tryb ochronny można zresetować poprzez ponowne uruchomienie sterownika wkrętarki.

#### Odesłanie normatywne

Dyrektywy WE ważne dla produktu oraz spełnione normy – patrz Deklaracja zgodności WE.

Certyfikaty	
Jednostka wystawiająca	TÜV SÜD AG
Certificate No.	U8 78313 0005
Przetestowane zgodnie z	<ul style="list-style-type: none"> <li>UL 61010-1:2012/R:2016-04</li> <li>CAN/CSA–C22.2 No.61010-1:2012/U2:2016-04</li> </ul>
Certificate No.	N8A 78313 0007
Przetestowane zgodnie z	<ul style="list-style-type: none"> <li>EN 61010-1:2010</li> </ul>
Certificate No.	DE3-30943
Przetestowane zgodnie z	<ul style="list-style-type: none"> <li>IEC 61010-1:2010</li> </ul>

#### Dane systemu

Cechy	Dane
Funkcje systemowe	Zegar czasu rzeczywistego z akumulatorowym podtrzymaniem zasilania, czas podtrzymania: 20 lat (w temp. 20°C)
Wyświetlacz	Wyświetlacz LCD z ekranem dotykowym, wyświetlacz ciekłokrystaliczny 10,4" TFT, Rozdzielczość 800 × 600, możliwość przyłączenia do Panel & Touch
System operacyjny	System operacyjny czasu rzeczywistego OS-9000, z możliwością bootowania bez mechanicznych napędów, brak konieczności stosowania zasilacza UPS
HMI (Human Machine-Interface)	Klawiatura wirtualna dla wpisów alfanumerycznych

#### Masa

Model	Ciężar*	
	lb	kg
mPro400GCD-M	21.3	9,7

## 5 Rozkład wyprowadzeń

Ten rozdział opisuje wtyki stosowane przez Cleco Production Tools. Nie uwzględniono wtyków standardowych. Wszystkie złącza są odporne na zwarcia.

### X5, X6 – urządzenia dodatkowe

- Wszystkie wyjścia dostarczają sygnałów zgodnych z RS232.
- Wejścia pozwalają na napięcia w zakresie -15 V do +15 V.
  - Napięcie < 0,8 V odpowiada zeru.
  - Napięcie > 2,4 V interpretowane jest jako jeden.
  - Otwarte wejścia ustawiane są za pomocą rezystora Pulldown na zero.

Styki zasilania połączone są bezpośrednio z zasilaniem obwodu drukowanego.



### Informacja

Podczas pracy nie wolno podłączać ani odłączać odbiorników. Skutkiem może być reset systemu.

Styk	X5 RS232-1	X6 RS232-2	9 styk. wtyczka D-Sub, męska zabezpieczana za pomocą śrub
1	–	–	
2	RxD	RxD	
3	TxD	TxD	
4	–	–	
5	GND	GND	
6	–	–	
7	RTS	RTS	
8	CTS	CTS	
9	–	–	

### X7, X8 – Anybus CC

Gniazda modułów Anybus CC.

### X21 – Systembus TSnet Out

Styk	Sygnal	8-sty. wtyk okrągły M12, kodowanie X
1	Tx+	
2	Tx-	
3	Rx+	
4	Rx-	
5	0 VDC	
6	0 VDC	
7	+24 VDC	
8	+24 VDC	

### X22 – magistral systemowa ARCNET

Zintegrowany terminator magistrali. Brak konieczności stosowania zewnętrznego terminatora.

Styk	Sygnal	8-stykowe gniazdo okrągłe M12 Kodowanie A
1	N. C.	
2	DATA-B	
3	GND	
4	+5 VDC	
5	DATA-A	
6	N. C.	
7	0 VDC	
8	+24 VDC	

### X23 – przyłącze sieciowe

Opis	Wtyk urządzenia IEC C14
Wtyk urządzenia z uchwytem bezpieczeństwa, 2-stykowy, 5 × 20 mm, 16 A zwłoczny	



### Informacja

Użyć blokady wtyku, patrz Quick Installation Guide.

### X9, X10 – wejście/wyjście

Do łączników wtykowych wejścia/wyjścia doprowadzone są odpowiednie obwody sygnałowe. Obwody zasilania grupy sygnałów nie są połączone galwanicznie, wymagane jest oddzielne doprowadzenie.

- 8 cyfrowych wejść i wyjść, optoizolowane dla poziomu 24 V / 0,5 A
- Prąd wyjściowy: 500 mA na wyjście, łącznie 2000 mA



### Informacja

Pobór prądu przez odbiornik nie może przekraczać 500 mA. Układ monitorowania prądu wyłącza wyjście w przypadku nadmiernego prądu.

2x12 styk. Phoenix MCD 0.5/24-G1-2.5	
X9	X10
<p>Wtyk przeciwny          Phoenix FK-MC 0,5/12-STZ3-2,5          Nr katalogowy: S981211</p>	

## Przylączy – wewnętrzne zasilanie

Przykład:



Sygnał X9			Sygnał X10		
Styk	I/O	Oznaczenie	Styk	I/O	Oznaczenie
12		Zasilanie GND wew.	24		Zasilanie GND wew.
11		Zasilanie GND I/O	23		Zasilanie GND I/O
10	Wyjście	O3	22	Wyjście	O7
9	Wyjście	O2	21	Wyjście	O6
8	Wyjście	O1	20	Wyjście	O5
7	Wyjście	O0	19	Wyjście	O4
6	Wejście	I3	18	Wejście	I7
5	Wejście	I2	17	Wejście	I6
4	Wejście	I1	16	Wejście	I5
3	Wejście	I0	15	Wejście	I4
2		Zasilanie +24 V zew.	14		Zasilanie +24 V zew.
1		Zasilanie +24 V wew.	13		Zasilanie +24 V wew.

Wejścia

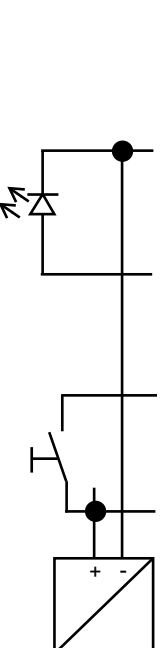
- Wewnętrzne zasilanie napięciem 24 V sterownika.
- Styk 11 oraz 23 (wspólna masa) służą jako „przewód powrotny” dla wejść.
- Styki 11 oraz 23 muszą być połączone za pomocą mostków wtykowych ze stykiem 12 lub 24.

Wyjścia

- Wewnętrzne zasilanie napięciem 24 V sterownika
- Styk 2 oraz 14 (wspólne wyjście) służą jako źródła napięcia zasilania wyjść.
- Styki 2 oraz 14 muszą być połączone ze stykiem 1 lub 13.

## Przylączy – zewnętrzne zasilanie

Przykład:



Sygnał X9			Sygnał X10		
Styk	I/O	Oznaczenie	Styk	I/O	Oznaczenie
12		Zasilanie GND wew.	24		Zasilanie GND wew.
11		Zasilanie GND I/O	23		Zasilanie GND I/O
10	Wyjście	O3	22	Wyjście	O7
9	Wyjście	O2	21	Wyjście	O6
8	Wyjście	O1	20	Wyjście	O5
7	Wyjście	O0	19	Wyjście	O4
6	Wejście	I3	18	Wejście	I7
5	Wejście	I2	17	Wejście	I6
4	Wejście	I1	16	Wejście	I5
3	Wejście	I0	15	Wejście	I4
2		Zasilanie +24 V zew.	14		Zasilanie +24 V zew.
1		Zasilanie +24 V wew.	13		Zasilanie +24 V wew.

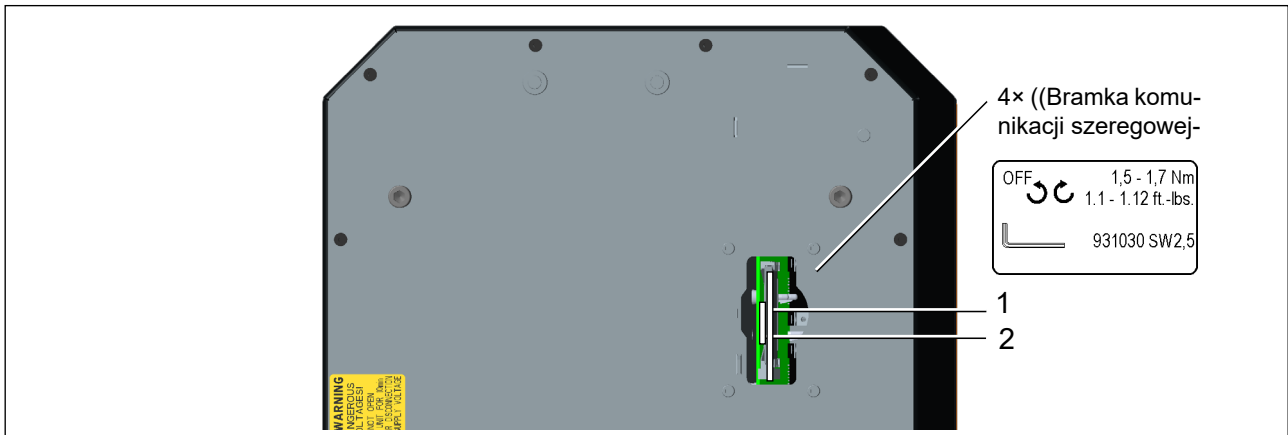
Wejścia

- Zewnętrzne zasilanie napięciem 24 V sterownika.
- Styk 11 oraz 23 (wspólna masa) służą jako „przewód powrotny” dla wejść.
- Jako przewód powrotny dla styku 11 oraz 23 musi być stosowany styk GND zewnętrznego napięcia zasilania 24 V.

Wyjścia

- Zewnętrzne zasilanie napięciem 24 V sterownika.
- Styk 2 oraz 14 (wspólne wyjście) służą jako źródła napięcia zasilania wyjść.
- Styki 2 oraz 14 muszą być połączone z zewnętrznym napięciem zasilania 24 V.

## 6 Dostępny do pamięci



il. 6-1: Pozycja przyłączy

Poz.	Oznaczenie	Funkcja
1	Karta CF (Compact Flash)	System operacyjny, pliki archiwum i aplikacje. W zakresie dostawy.
2	Karta SD, opcjonalna	Funkcja jest zależna od oprogramowania: aktualizacja oprogramowania, zapisywanie/wczytywanie parametrów, pliki archiwum danych.



### Informacja

Kartę CF wolno wyjmować lub wkładać tylko przy wyłączonym zasilaniu. Skutkiem nieprzestrzegania tej zasady mogą być poważne błędy w systemie i utrata danych.

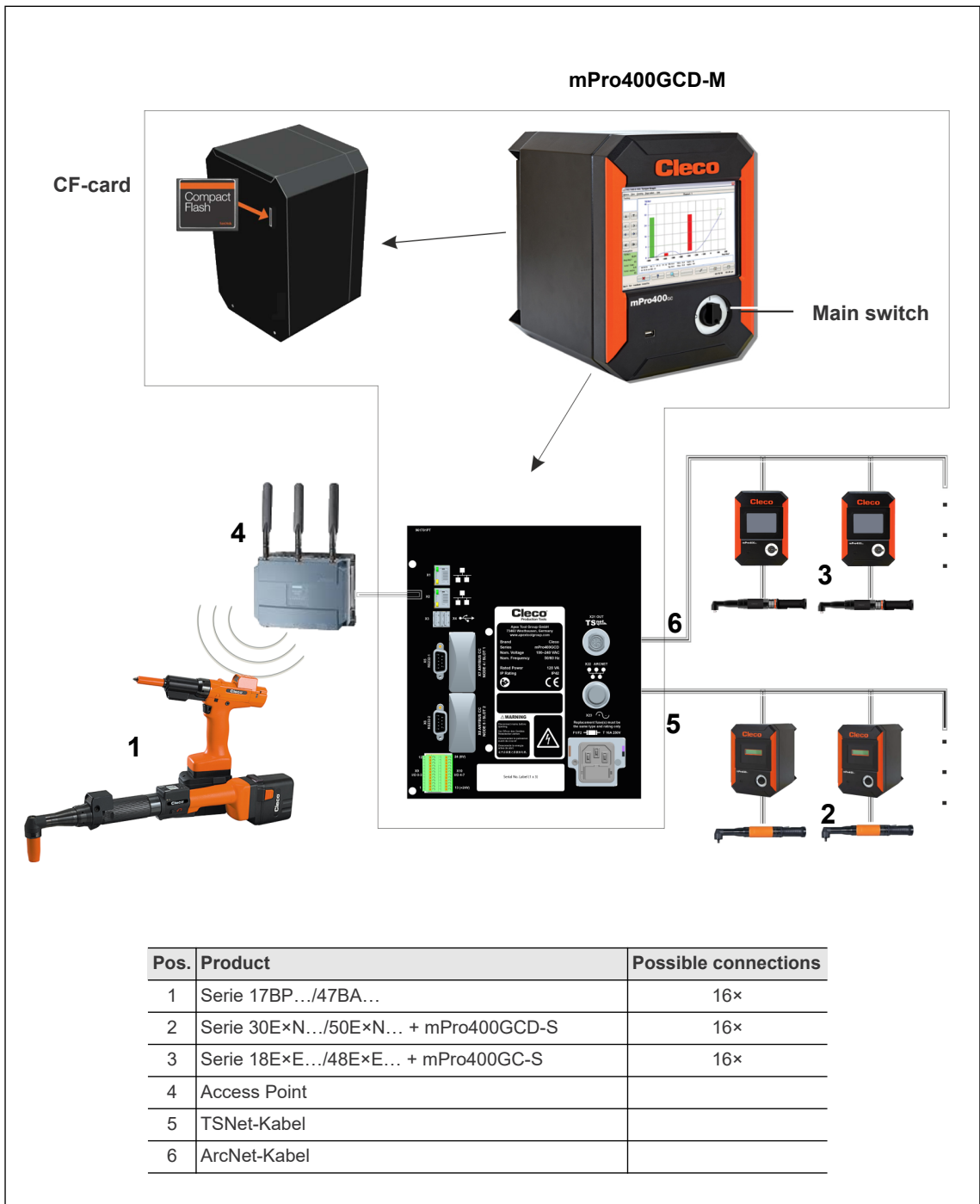
## 7 Zakres dostawy

Skontrolować dostawę pod kątem szkód transportowych i zgodności z zakresem dostawy:

- Sterowanie wkrętarki
- Deklaracja zgodności WE
- Ten opis sprzętu
- Gwarancja

	Kabel sieciowy UE 230 V AC Nr zam. 541683-03		Kabel sieciowy USA 115 V AC Nr zam. 541683-01
	Wtyk Blokada Nr zam. 544004-1		Kabel sieciowy USA 230 V AC Nr zam. 541683-02

**8 System**



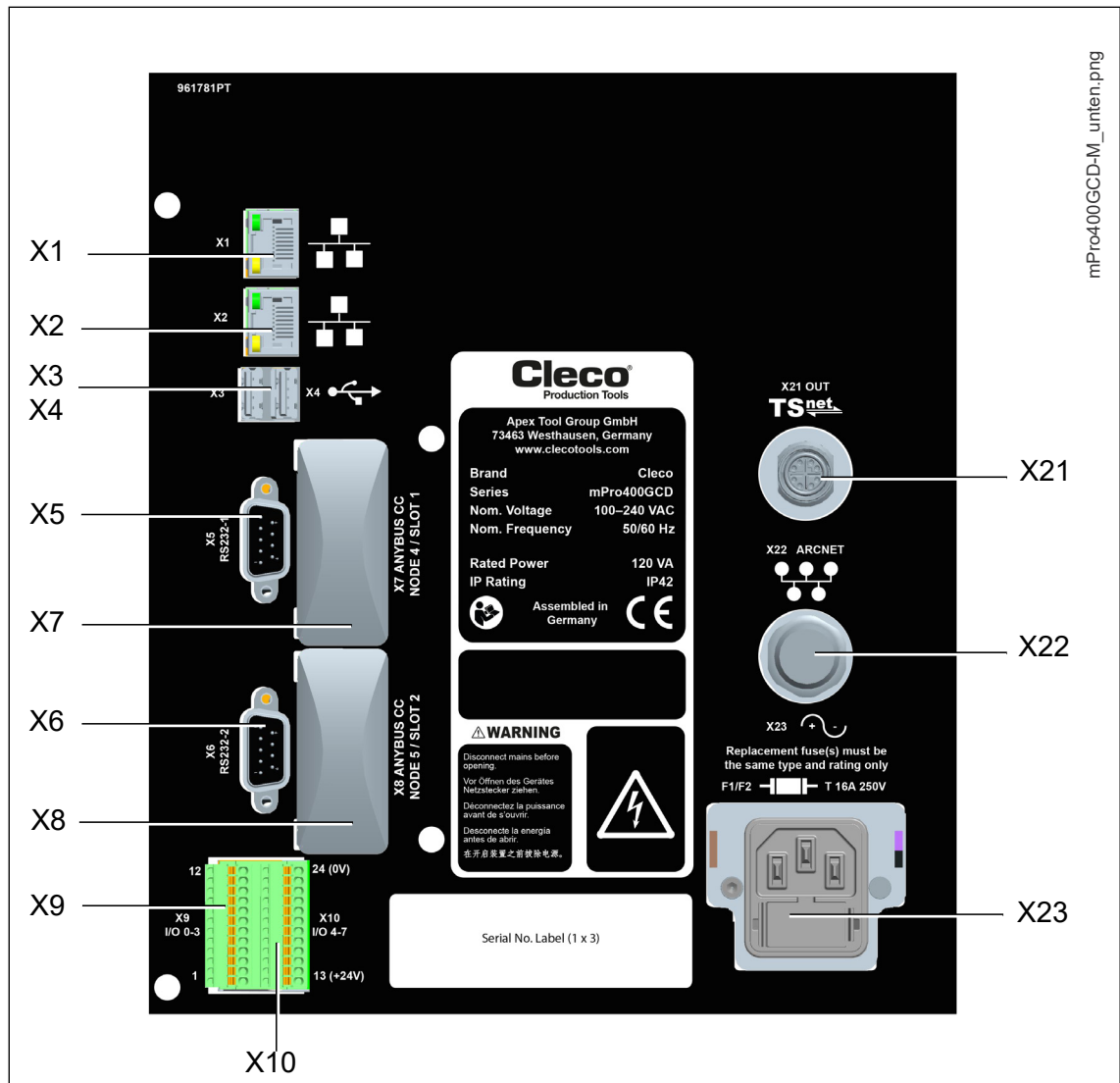
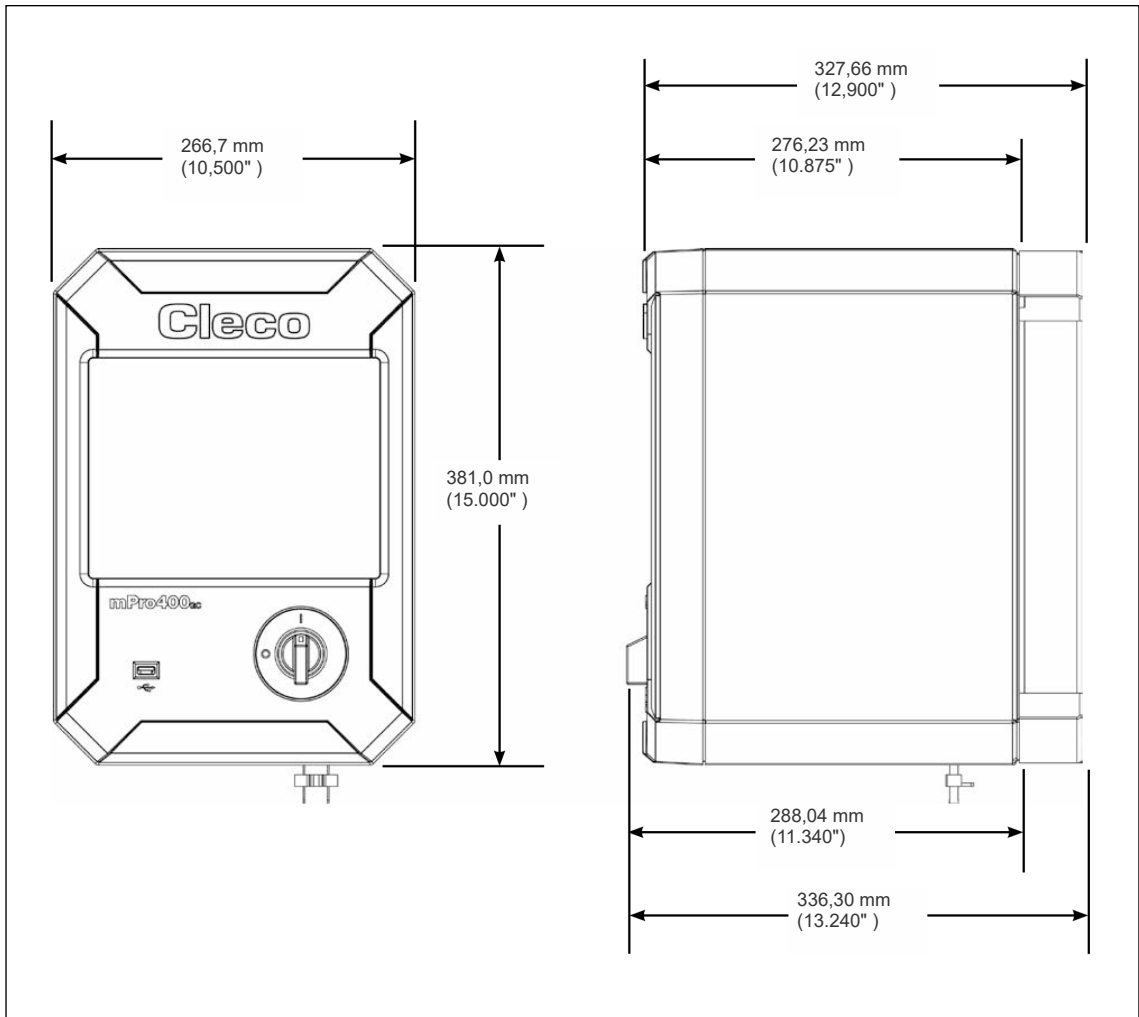


Abb. 9-1: Connections positions

No.	Designation	No.	Designation
X1	Ethernet RJ45 10/100 BASE-T Connector #1	X9	I/O Connector
X2	Ethernet RJ45 10/100 BASE-T Connector #2	X10	I/O Connector
X3	USB V2.0 Port #1	X21	System Bus Connector TSnet
X4	USB V2.0 Port #2	X22	System Bus Connector ArcNet
X5	Serial RS232-1 Connector #1	X23	Power supply connection
X6	Serial RS232-2 Connector #2		
X7	Anybus CC – Fieldbus		
X8	Anybus CC – Fieldbus		

# 10 Dimensions


## mPro400GCD-M



# POWER TOOLS SALES & SERVICE CENTERS

Please note that all locations may not service all products.

Contact the nearest Cleco® Sales & Service Center for the appropriate facility to handle your service requirements.

 Sales Center

 Service Center

## NORTH AMERICA | SOUTH AMERICA

### DETROIT, MICHIGAN

Apex Tool Group  
2630 Superior Court  
Auburn Hills, MI 48236  
Phone: +1 (248) 393-5644  
Fax: +1 (248) 391-6295

### LEXINGTON, SOUTH CAROLINA

Apex Tool Group  
670 Industrial Drive  
Lexington, SC 29072  
Phone: +1 (800) 845-5629  
Phone: +1 (919) 387-0099  
Fax: +1 (803) 358-7681

### MEXICO

Apex Tool Group  
Vialidad El Pueblito #103  
Parque Industrial Querétaro  
Querétaro, QRO 76220  
Mexico  
Phone: +52 (442) 211 3800  
Fax: +52 (800) 685 5560

### BRAZIL

Apex Tool Group  
Av. Liberdade, 4055  
Zona Industrial Iporanga  
Sorocaba, São Paulo  
CEP# 18087-170  
Brazil  
Phone: +55 15 3238 3870  
Fax: +55 15 3238 3938

## EUROPE | MIDDLE EAST | AFRICA

### ENGLAND

Apex Tool Group GmbH  
C/O Spline Gauges  
Piccadilly, Tamworth  
Staffordshire B78 2ER  
United Kingdom  
Phone: +44 1827 8727 71  
Fax: +44 1827 8741 28

### FRANCE

Apex Tool Group SAS  
25 Avenue Maurice Chevalier - ZI  
77330 Ozoir-La-Ferrière  
France  
Phone: +33 1 64 43 22 00  
Fax: +33 1 64 43 17 17

### GERMANY

Apex Tool Group GmbH  
Industriestraße 1  
73463 Westhausen  
Germany  
Phone: +49 (0) 73 63 81 0  
Fax: +49 (0) 73 63 81 222

### GHUNGARY

Apex Tool Group  
Hungária Kft.  
Platánfa u. 2  
9027 Győr  
Hungary  
Phone: +36 96 66 1383  
Fax: +36 96 66 1135

## ASIA PACIFIC

### AUSTRALIA

Apex Tool Group  
519 Nurigong Street, Albury  
NSW 2640  
Australia  
Phone: +61 2 6058 0300

### CHINA

Apex Power Tool Trading  
(Shanghai) Co., Ltd.  
2nd Floor, Area C  
177 Bi Bo Road  
Pu Dong New Area, Shanghai  
China 201203 P.R.C.  
Phone: +86 21 60880320  
Fax: +86 21 60880298

### INDIA

Apex Power Tool India  
Private Limited  
Gala No. 1, Plot No. 5  
S. No. 234, 235 & 245  
Indialand Global  
Industrial Park  
Taluka-Mulsi, Phase I  
Hinjawadi, Pune 411057  
Maharashtra, India  
Phone: +91 020 66761111

### JAPAN

Apex Tool Group Japan  
Korin-Kaikan 5F,  
3-6-23 Shibakoen, Minato-Ku,  
Tokyo 105-0011, JAPAN  
Phone: +81-3-6450-1840  
Fax: +81-3-6450-1841

### KOREA

Apex Tool Group Korea  
#1503, Hibrand Living Bldg.,  
215 Yangjae-dong,  
Seocho-gu, Seoul 137-924,  
Korea  
Phone: +82-2-2155-0250  
Fax: +82-2-2155-0252

**Cleco**<sup>®</sup>  
Production Tools

### Apex Tool Group, LLC

Phone: +1 (800) 845-5629

Phone: +1 (919) 387-0099

Fax: +1 (803) 358-7681

[www.ClecoTools.com](http://www.ClecoTools.com)

[www.ClecoTools.de](http://www.ClecoTools.de)