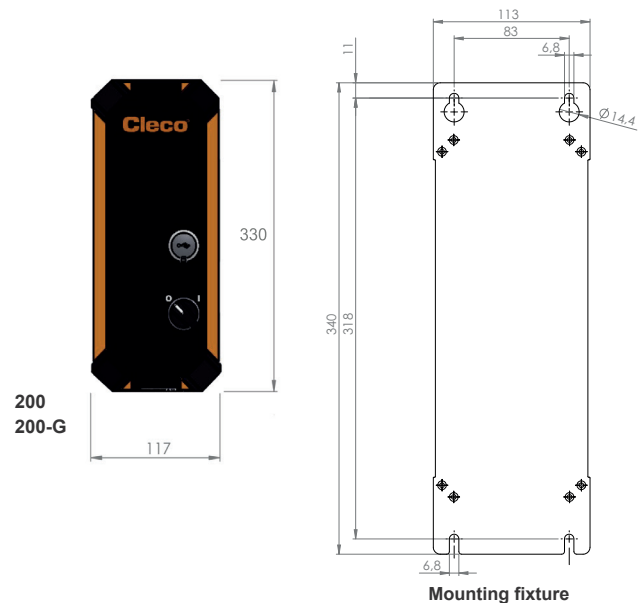


The mPro200 Controller can be connected to 10 Cleco cordless tools. Easily capture and communicate data in real time within a plant network. Connect to the controller via mPro remote or external monitor.

## FEATURES

- Compact - Save space on the line (4.5" vs 10.5" on GC-400)
- Intelligent - 19 fastening strategies for all types of applications
- Easy to Use - Run remotely via mPro remote, or connect an external display using VGA output
- Increase Uptime - Swap controllers quickly with interchangeable CompactFlash card
- Versatile - Compatible with CellCore, LiveWire and I-Wrench



## SPECIFICATIONS

### TOOL COMPATABILITY

CellCore, LiveWire, I-Wrench

### WEIGHT & DIMENSIONS

Weight	3.23 kg / 7.1 lb
Width	113 mm / 4.4 in
Height	340 mm / 13.4 in
Depth	320 mm / 12.6 in



### INPUTS & OUTPUTS

- 2X Fieldbus
- 2X Ethernet
- 2X Serial RS-232
- 3X USB
- 1X VGA Output
- 8X 24V I/O
- 1X Power Input